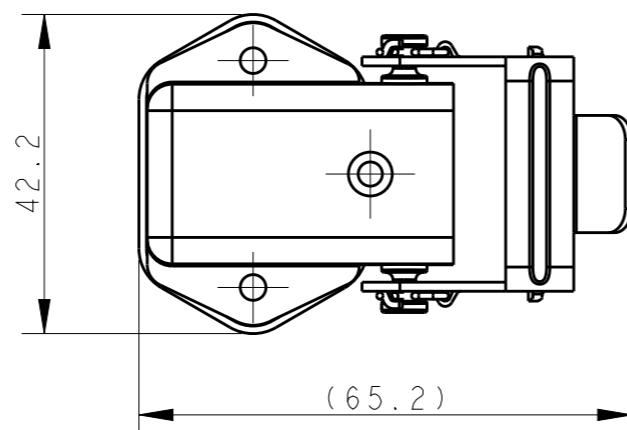
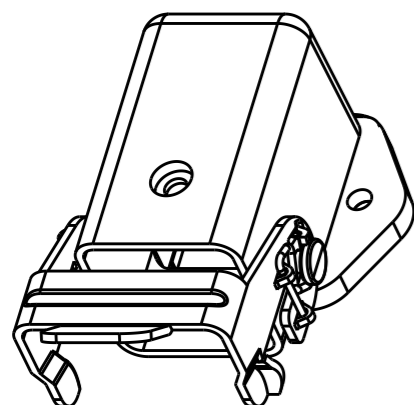


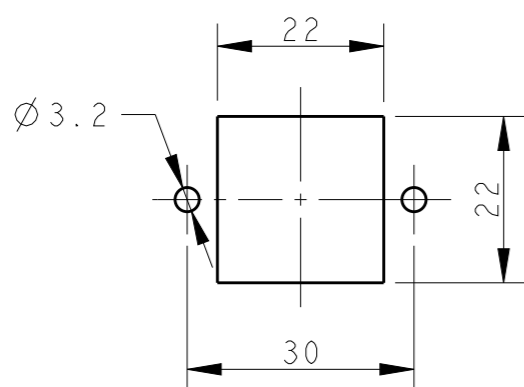
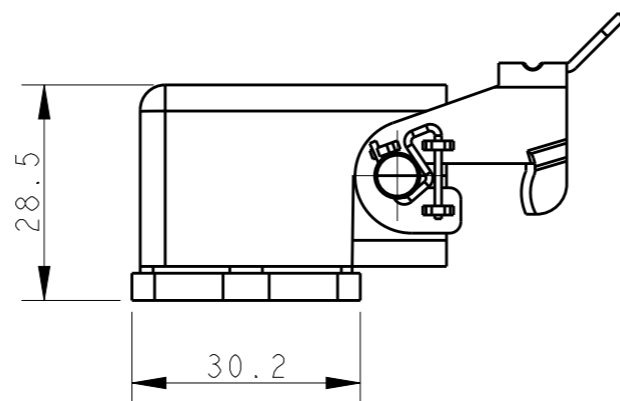
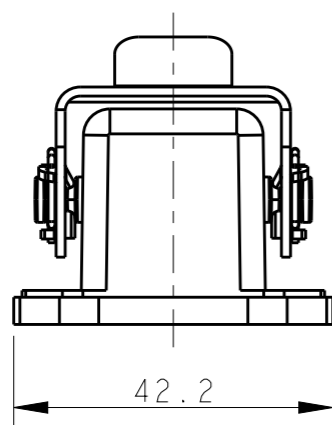
THIS DRAWING IS UNPUBLISHED. RELEASED FOR PUBLICATION 20
 © COPYRIGHT 20 BY - ALL RIGHTS RESERVED.

REVISIONS					
P	LTR	DESCRIPTION	DATE	DWN	APVD
	A	INITIAL	20AUG2016	YC	CW

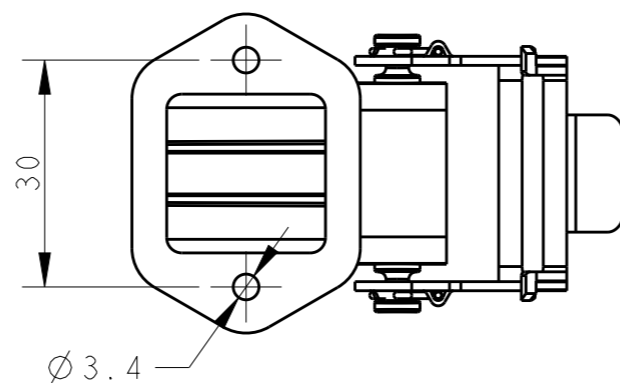


NOTES:
 1. TECHNICAL CHARACTERISTICS:
 BODY MATERIAL: DIE CAST ZINC ALLOY
 SURFACE TREATMENT: NICKEL PLATED
 SEAL MATERIAL: EPDM
 DEGREE OF PROTECTION: IP65 (MATED)


注释:
 1. 技术参数:
 主体材料: 锌合金
 表面处理: 镀镍
 密封材料: EPDM
 防护等级: IP65(配合)



PANEL CUT OUT
 面板开孔尺寸



T1546033000-000	H3A-MAGS-EMC	H3A EMC HOUSING, BULKHEAD MOUNTED, SIDE ENTRY, SINGLE STEEL LOCKING WITH ZINC PLATED, NICKEL PLATED H3A 带屏蔽下壳, 开孔侧出, 彩锌单扣, 镀镍
PART NUMBER 料号	PART DESCRIPTION 描述	

THIS DRAWING IS A CONTROLLED DOCUMENT.		DWN 20AUG2016 YORK CHEN	 TE Connectivity	
DIMENSIONS: mm		CHK 20AUG2016 KYLE ZENG		
TOLERANCES UNLESS OTHERWISE SPECIFIED:		APVD 20AUG2016 CHRIS WANG	PRODUCT SPEC 108-137012	
0 PLC ±-		APPLICATION SPEC 114-137012		RESTRICTED TO
1 PLC ±-		WEIGHT		SIZE CAGE CODE DRAWING NO
2 PLC ±-		Customer Drawing		A300779 C-T1546033000000
3 PLC ±-		SCALE 1:1		SHEET 1 OF 1
4 PLC ±-		REV A		
ANGLES ±-				
FINISH				
MATERIAL				

Mouser Electronics

Authorized Distributor

Click to View Pricing, Inventory, Delivery & Lifecycle Information:

[TE Connectivity:](#)

[T1546033000-000](#)