

**TOUCH-SAFE HEATERS**



**INDUSTRY STANDARDS**

cURus Component Recognized; File No. E150057

IP 20  
CE

**APPLICATION**

Protect electrical, mechanical equipment from low temperatures, condensation, and corrosion with this heater, which will maintain stable enclosure temperatures by using natural convection resulting in current circulation of warm air.

**SPECIFICATIONS**

- Heating element PTC resistor - temperature limiting
- Double Insulated Protection
- Mounting clip for 35mm DIN rail, EN 60 715
- Vertical mount

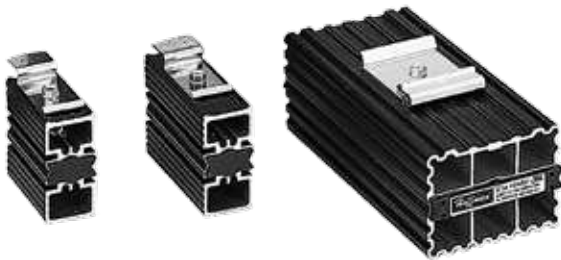
**FINISH**

- UL 94 V-0 Black Plastic Housing

Performance Data

CATALOG NUMBERS			
	DAH101TS	DAH201TS	DAH501TS
<b>Electrical Data</b>			
Rated Voltage (AC/DC)	110/120	110/120	110/120
Power Consumption (Watts)	10	20	50
Start Nominal Current (Amps)	2.5	4.5	8
<b>Unit Construction</b>			
H x W x D (in./mm)	3.9 X 1.5 X 3.0/98 x 38 x 75	3.9 X 1.5 X 3.0/98 x 38 x 75	4.3 X 2.4 X 3.5/110 x 60 x 90
Weight (oz)	5.0	6.1	10.4

**SEMICONDUCTOR HEATERS**



**INDUSTRY STANDARDS**

cURus Component Recognized; File No. E150057

IEC IP54  
CE

**APPLICATION**

Protect electrical, pneumatic, hydraulic and mechanical equipment from low temperatures, condensation and corrosion with this heater, which maintains a stable enclosure temperature.

**SPECIFICATIONS**

- PTC (Positive Temperature Coefficient) heating element
- Mounting clip for 35-mm DIN rails EN 50022

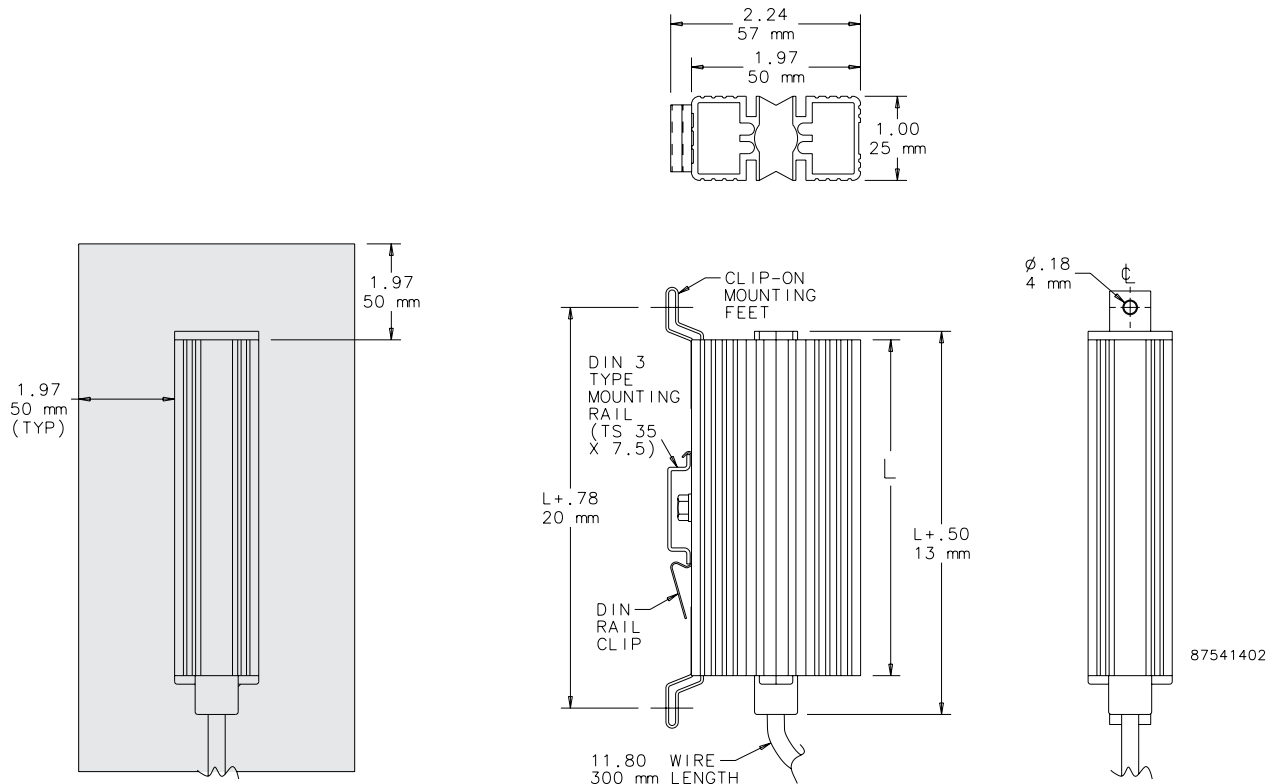
**FINISH**

- Black anodized, extruded aluminum.

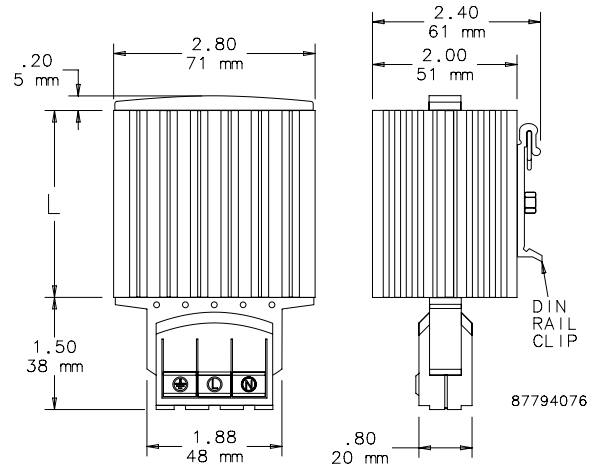
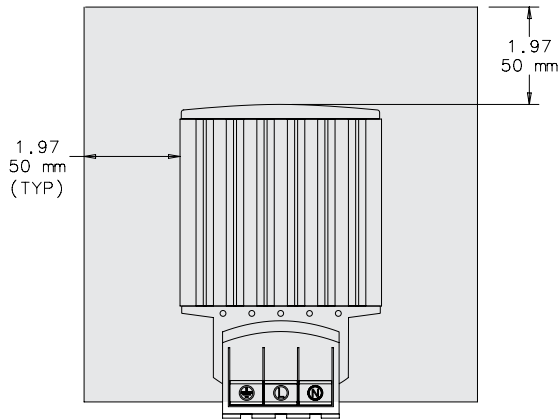
Performance Data **Semiconductor Heater**

CATALOG NUMBERS	DAH101	DAH301	DAH601
<b>ELECTRICAL DATA</b>			
Rated Voltage	AC/DC 110/120	AC/DC 110/120	AC/DC 110/250
Power Consumption (Watts)	10	30	60
Start Nominal Current (Amps)	0.8	1.2	2.5
<b>HEATING PERFORMANCE</b>			
Watts	10	30	60
<b>UNIT CONSTRUCTION</b>			
L (in./mm)	1.97/50	3.93/100	5.5/140
Weight (lb./kg)	0.45/0.20	0.66/0.30	1.10/0.50

Clearance Range for DAH101 and DAH301



Clearance Range for DAH601



## ELECTRIC HEATERS



### INDUSTRY STANDARDS

UL 508A Component Recognized; File No. E61997

CSA Certified, CSA File No. LR42186  
CE

### APPLICATION

Protect mechanical, electrical and electronic equipment from low temperatures, condensation and corrosion with this thermostatically controlled, fan-driven heater that maintains a stable enclosure temperature. Fan draws cool air from the bottom of the enclosure and passes this air across the thermostat and heating element before being released into enclosure cavity. Heated air is discharged through the top of the heater unit.

### SPECIFICATIONS

- Aluminum housing
- Thermostat range adjustable from 0 F to 100 F (-18 C to 38 C)
- Four 10-32 x self-tapping screws are included with each heater
- Ball bearing fan
- Terminal strip with clamp connector that accepts both solid and stranded wire

### FINISH

- Brushed aluminum

## CAUTION

These electric heaters are not designed for use in dusty, dirty, corrosive, or hazardous locations. Portions of the heater can get hot. Adequate protection must be taken to protect people from potential burns, and to protect other components from this heat. nVent recommends this heater only be installed in a totally-enclosed metal enclosure.

**DO NOT INSTALL HEATERS ON WOOD PANELS.** Heat sensitive components should not be placed near the heater discharge area since this air can be quite warm. The clearance range defines the space that must be kept free of these components for proper and safe operation of the heater.

**Performance Data 100 and 200 Watt Heaters**

<b>CATALOG NUMBERS</b>				
	DAH1001A	DAH1002A	DAH2001A	DAH2002A
<b>ELECTRICAL DATA</b>				
Rated Voltage	115	230	115	230
Frequency (Hz)	50/60	50/60	50/60	50/60
Power Consumption (Watts)	100	100	200	200
Nominal Current (Amps)	0.98	0.49	1.89	0.95
<b>HEATING PERFORMANCE</b>				
Watts	100	100	200	200
<b>UNIT CONSTRUCTION</b>				
Weight (lb./kg)	1.6/0.73	1.6/0.73	1.6/0.73	1.6/0.73
X (in./mm)	4.00/102	4.00/102	6.00/152	6.00/152

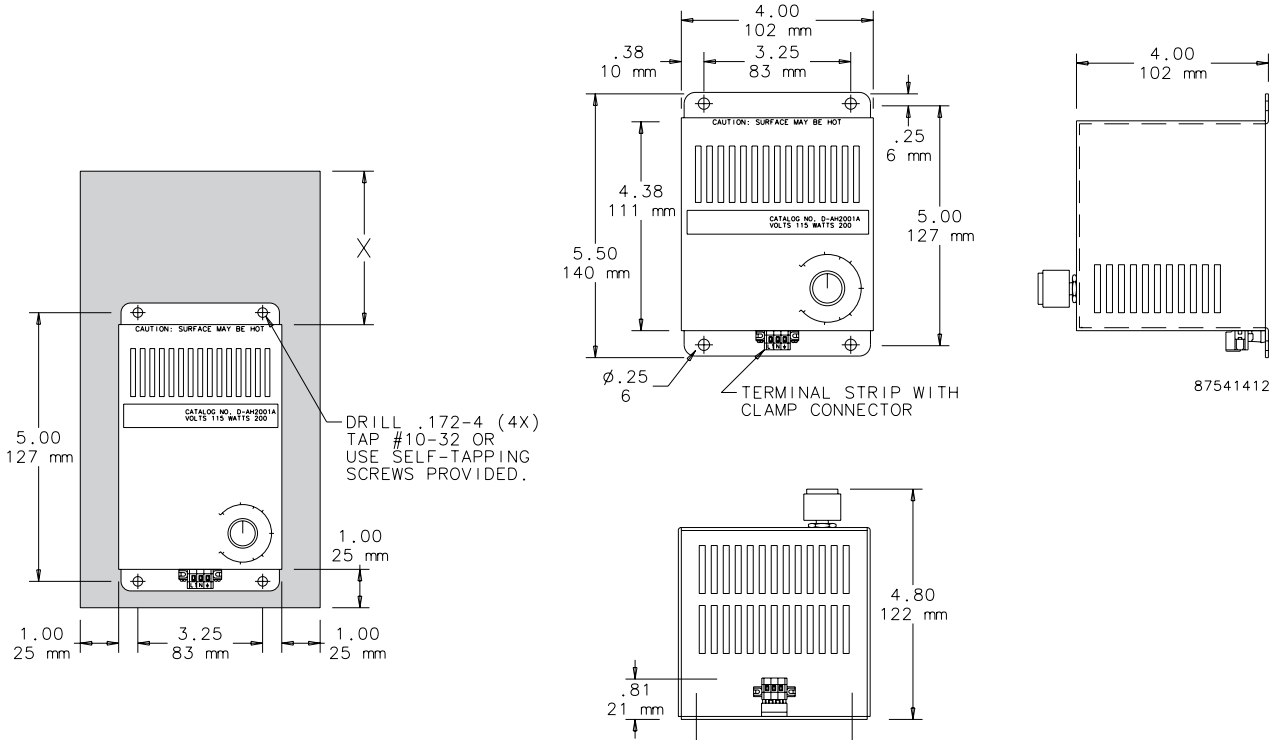
**Performance Data 400 and 800 Watt Heaters**

<b>CATALOG NUMBERS</b>				
	DAH4001B	DAH4002B	DAH8001B	DAH8002B
<b>ELECTRICAL DATA</b>				
Rated Voltage	115	230	115	230
Frequency (Hz)	50/60	50/60	50/60	50/60
Power Consumption (Watts)	400	400	800	800
Nominal Current (Amps)	3.72	1.86	7.37	3.69
<b>HEATING PERFORMANCE</b>				
Watts	400	400	800	800
<b>UNIT CONSTRUCTION</b>				
Weight (lb./kg)	2.2/1.00	2.2/1.00	2.2/1.00	2.2/1.00
X (in./mm)	6.00/152	6.00/152	8.00/203	8.00/203

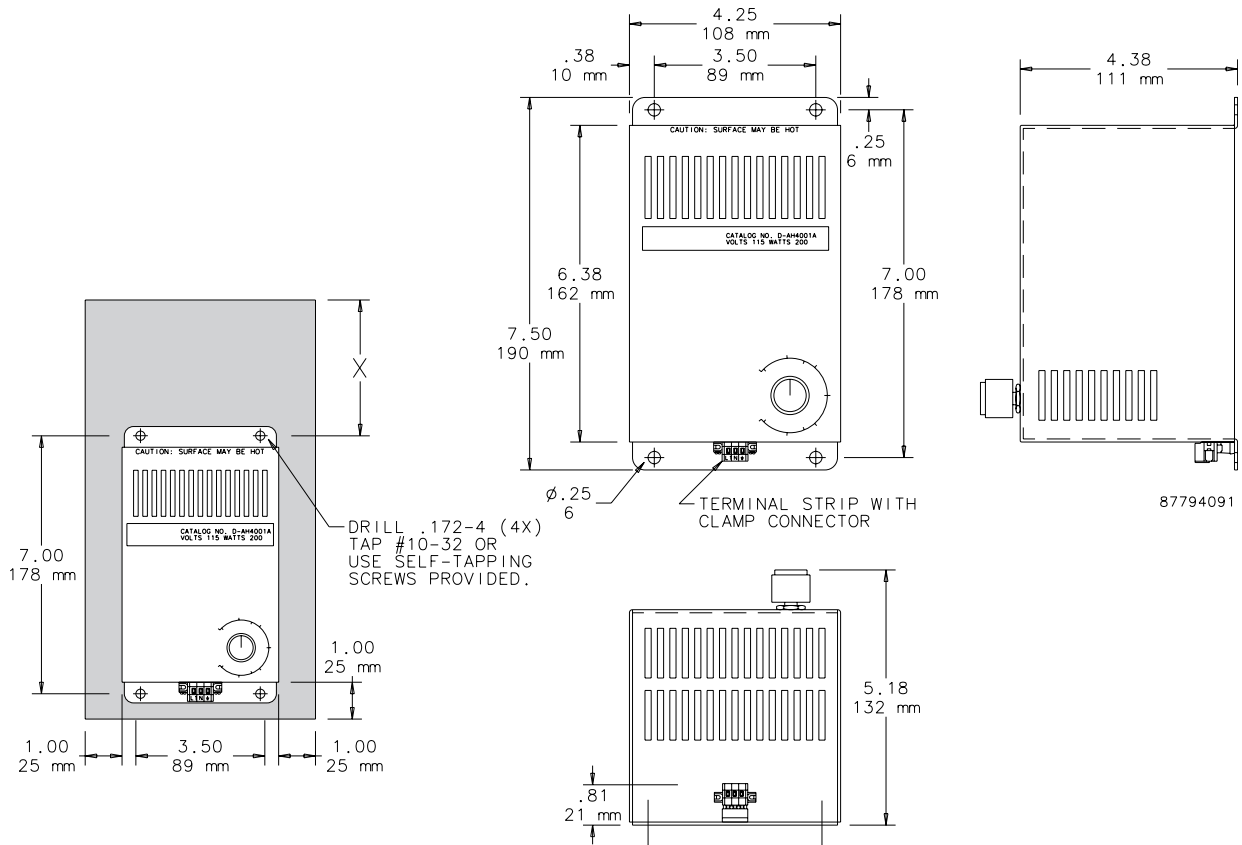
**Performance Data 1300 Watt Heaters**

<b>CATALOG NUMBERS</b>		
	DAH13001C	DAH13002C
<b>ELECTRICAL DATA</b>		
Rated Voltage	115	230
Frequency (Hz)	50/60	50/60
Power Consumption (Watts)	1300	1300
Nominal Current (Amps)	11.5	5.7
<b>HEATING PERFORMANCE</b>		
Watts	1300	1300
<b>UNIT CONSTRUCTION</b>		
Weight (lb./kg)	3.4/1.54	3.4/1.54
X (in./mm)	8.00/203	8.00/203

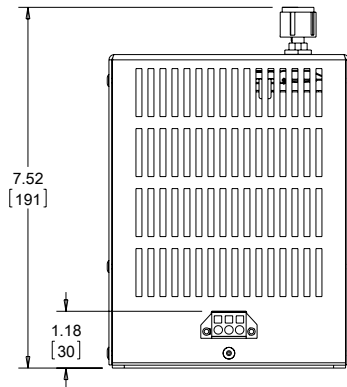
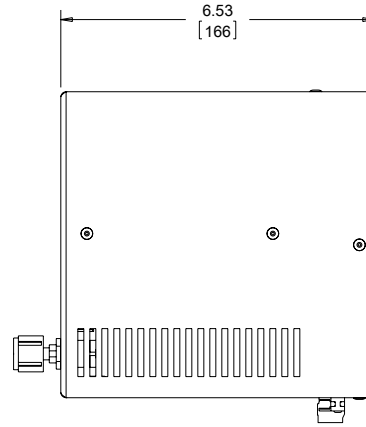
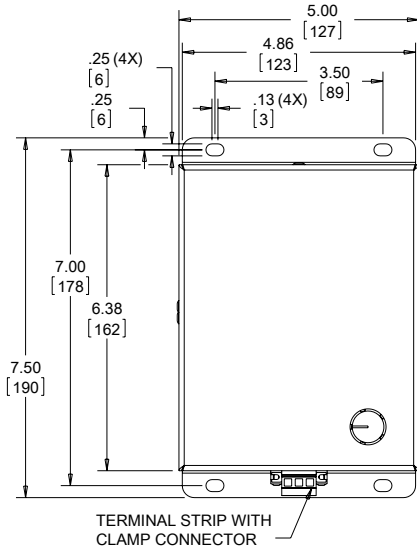
Dimensions and Clearance Range Drawing for DAH1001A, -2A and DAH2001A, -2A



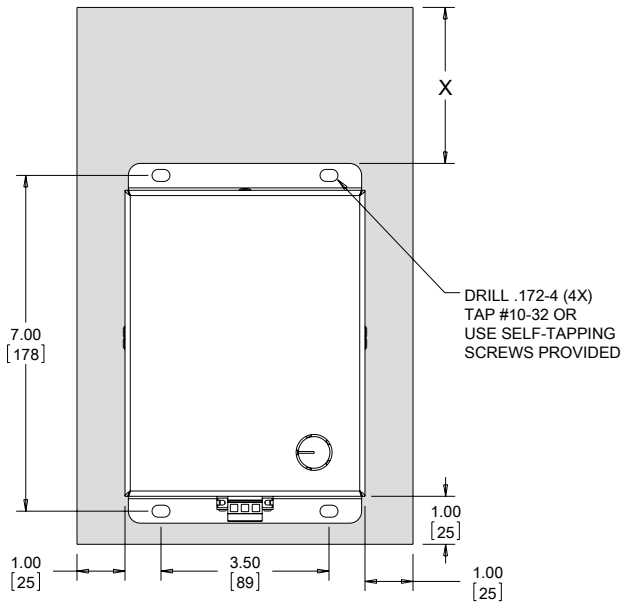
Dimensions and Clearance Range Drawing for DAH4001B, -2B and DAH8001B, -2B



Dimensions and Clearance Range Drawing for DAH13001C and DAH13002C



89091692



**HAZARDOUS LOCATION HEATER, ATEX**



**INDUSTRY STANDARDS**

CE  
 Conformity Certificate LCIE (Laboratoire Central des Industries  
 Electriques) LCIE 01 ATEX 6073  
 EEx d IIC T4/II 2 GD, IP6x T135°C  
 IEC 60529, IP65/1 (grounded)

**APPLICATION**

Designed for use in hazardous locations where electrical  
 components require protection from condensation and corrosion,  
 sudden temperature drops and low temperatures.

**FEATURES**

- Maintenance-free
- High-performance heating cartridge (element)
- Large convection surface
- Extruded aluminum heat sink
- DIN clip for mounting
- Connection cable: Si HF-JZ 3 x AWG 18 x 3.3 ft. (0.75 mm<sup>2</sup> x 1 m)
- Operating voltage 110-120 VAC

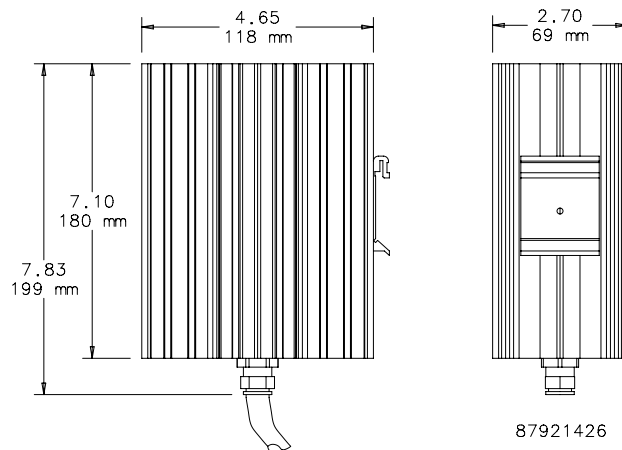
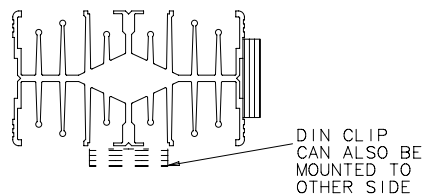
**FINISH**

- Black anodized

**Performance Data Hazardous Location Heater**

CATALOG NUMBERS	
	HLHEAT100
<b>DESIGN DATA</b>	
Heating Power (Watts)	100
Surface Temperature T4 (°F/°C) *	275/135
<b>UNIT CONSTRUCTION</b>	
Unit Dimensions - H x W x D (in. / mm)	7.10/180 x 4.65/118 x 2.70/69

\* Surface temperature when mounted vertically.





**HAZARDOUS LOCATION HEATERS AND THERMOSTATS**



**INDUSTRY STANDARDS**

CE  
cCSAus  
See additional certifications in product tables.

**APPLICATION**

Designed for use in hazardous locations where electrical components require protection from cold freezing temperatures, condensation and corrosion.

**SPECIFICATIONS**

- 50W, 80W, 200W, 300W, 400W and 600W models available
- Provides freeze protection down to -76 F / -60 C
- Conductive and Convection heating types available
- 50W and 80W models can be mounted directly to manifolds, measuring or analyzing instruments, control valves, and similar equipment
- 200W, 300W, 400W, 600W models are finned heaters that heat the area by transferring the heat from the heater to surrounding air, creating a convection current.
- Two thermostat options available with a 50 F / 10 C or 68 F / 20 C set point

**FINISH**

- Black Anodized Aluminum

**Performance Data 50W and 80W Hazardous Location Heaters**

CATALOG NUMBERS		
	DAHHL501AC	DAHHL801AC
<b>HEATING PERFORMANCE</b>		
Watts	50	80
Heating Type	Conductive	Conductive
Power Regulation	Self Limiting	Self Limiting
<b>HAZARDOUS LOCATION CERTIFICATIONS</b>		
Agency Approvals	ATEX, IECEx, CE, cCSAus	ATEX, IECEx, CE, cCSAus
ATEX / IECEx Certification	PTB 02 ATEX 1116 X IECEx PTB 07.0055X II 2 G Ex db IIC T4 II 2 D Ex tb IIIC T135°C	PTB 02 ATEX 1116 X IECEx PTB 07.0055X II 2 G Ex db IIC T3 II 2 D Ex tb IIIC T200°C
NEC cCSAus Certification	CSA 1655545 (LR43674) Class I Zone 1 and 2 Group IIC Class I Div 1 Groups A,B,C,D T4 Class II Div 1 Groups E,F,G	CSA 1655545 (LR43674) Class I Zone 1 and 2 Group IIC Class I Div 1 Groups A,B,C,D T3 Class II Div 1 Groups E,F,G
<b>ELECTRICAL DATA</b>		
Rated Voltage (VAC or VDC)	110 - 265	110 - 265
Operating Range		
Maximum (F/C)	302/150	302/150
Minimum (F/C)	-76/-60	-76/-60
<b>UNIT CONSTRUCTION</b>		
Material	Black, anodized, seawater-proof aluminium	
<b>ACCESSORIES</b>		
Thermostat*	HLTSTAT10C, HLTSTAT20C	
<b>UNIT DIMENSIONS</b>		
Height (in./mm)	3.5/90	3.5/90
Width (in./mm)	1.6/40	1.6/40
Depth (in./mm)	1.2/30	1.2/30
Weight (lb./kg)	1.1/.50	1.1/.50

\* Thermostats sold separately as an accessory.

Performance Data **200W, 300W, 400W, 600W Hazardous Location Heaters**

CATALOG NUMBERS						
	DAHHL200AC	DAHHL300AC	DAHHL4001A	DAHHL4002A	DAHHL6001A	DAHHL6002A
<b>HEATING PERFORMANCE</b>						
Watts	200	300	400	400	600	600
Heating Type	Convection	Convection	Convection	Convection	Convection	Convection
Power Regulation	Self Limiting	Self Limiting	Constant Power	Constant Power	Constant Power	Constant Power
<b>HAZARDOUS LOCATION CERTIFICATIONS</b>						
Agency Approvals	ATEX, IECEX, CE, cCSAus		ATEX, IECEX, CE, cCSAus		ATEX, IECEX, CE, cCSAus	
ATEX / IECEX Certification	PTB 02 ATEX 1116X IECEX PTB 07.0055 X II 2 G Ex db IIC T3 II 2 D Ex tb IIIC T200°C		PTB 02 ATEX 1041X IECEX PTB 07.0052 X II 2 G Ex db IIC T3 II 2 D Ex tb IIIC T200°C		PTB 02 ATEX 1041X IECEX PTB 07.0052 X II 2 G Ex db IIC T3 II 2 D Ex tb IIIC T200°C	
NEC cCSAus Certification	CSA 1655545 (LR43674) Class I Zone 1 and 2 Group IIC Class I Div 1 Groups A,B,C,D T3 Class II Div 1 Groups E,F,G		CSA 1655545 (LR43674) Class I Zone 1 and 2 Group IIC Class I Div 1 Groups A,B,C,D T3 Class II Div 1 Groups E,F,G		CSA 1655545 (LR43674) Class I Zone 1 and 2 Group IIC Class I Div 1 Groups A,B,C,D T3 Class II Div 1 Groups E,F,G	
<b>ELECTRICAL DATA</b>						
Rated Voltage (VAC or VDC)	110 - 265	110 - 265	108 - 132	207 - 253	108 - 132	207 - 253
Operating Range						
Maximum (F/C)	302/150	302/150	302/150	302/150	302/150	302/150
Minimum (F/C)	-76/-60	-76/-60	-76/-60	-76/-60	-76/-60	-76/-60
<b>UNIT CONSTRUCTION</b>						
Material	Black, anodized, seawater-proof aluminium					
<b>ACCESSORIES</b>						
Thermostat*	HLTSTAT10C, HLTSTAT20C					
<b>UNIT DIMENSIONS</b>						
Height (in./mm)	8.9/225	12.8/325	8.9/225	8.9/225	12.8/325	12.8/325
Width (in./mm)	9.0/229	9.0/229	9.0/229	9.0/229	9.0/229	9.0/229
Depth (in./mm)	2.4/60	2.4/60	2.4/60	2.4/60	2.4/60	2.4/60
Weight (lb./kg)	8.7/3.95	12.5/5.65	8.7/3.95	8.7/3.95	12.5/5.65	12.5/5.65

\* A thermostat is required for 400W and 600W models. It is sold separately as an accessory.

Performance Data **Hazardous Location Thermostats**

CATALOG NUMBERS		
	HLTSTAT10C	HLTSTAT20C
<b>HAZARDOUS LOCATION CERTIFICATIONS</b>		
Agency Approvals	ATEX, IECEX, CE, cCSAus	
ATEX / IECEX Certification	PTB 03 ATEX 1136 X IECEX PTB 07.0054 II 2 G Ex db IIC T6 II 2 D Ex tb IIIC T80°C	
NEC cCSAus Certification	CSA 1655545 (LR43674) Class I Zone 1 and 2 Group IIC Class I Div 1 Groups A,B,C,D T6 Class II Div 1 Groups E,F,G	
<b>ELECTRICAL DATA</b>		
Rated Voltage (VAC or VDC)	0-275	0-275
Max. Rated Current (Amps)	10	10
Operating Range		
Maximum (F/C)	302/150	302/150
Minimum (F/C)	-76/-60	-76/-60
<b>Thermostats Nominal Setpoints</b>		
Switch-on Temperature (°F/°C)	50 F/10 C	68 F/20 C
Switch-off Temperature (°F/°C)	64 F/18 C	82 F/28 C
<b>UNIT CONSTRUCTION</b>		
Material	Black, anodized, seawater-proof aluminium	
<b>UNIT DIMENSIONS</b>		
Height (in./mm)	1.10/28	1.10/28
Width (in./mm)	.90/24	.90/24
Depth (in./mm)	4.30/108	4.30/108
Weight (lb./kg)	.50/.20	.50/.20