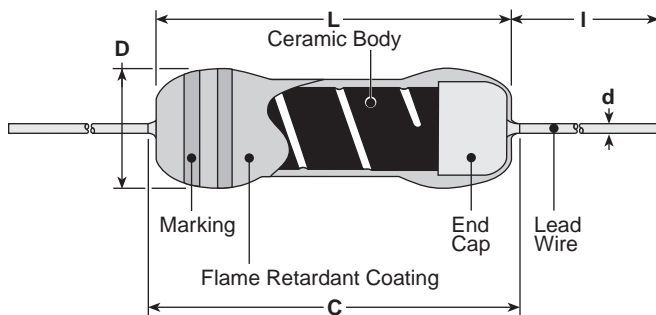


**features**

- Small size power type resistor
- Coated with UL94V0 equivalent flameproof material
- Suitable for automatic machine insertion
- Products with lead-free terminations meet EU RoHS and China RoHS requirements
- Surface mount style “N” forming is suitable for automatic mounting

**dimensions and construction**



Type	Dimensions inches (mm)				
	L	C (max.)	D	d (nom.)	I*
MOS1/2 MOSX1/2	.244±.02 (6.2±0.5)	.280 (7.1)	.098±.02 (2.5±0.5)	.024 (0.6)	.945 Min. (24.0 Min.)
MOS1 MOSX1	.354±.039 (9.0±1.0)	.437 (11.1)	.118±.02 (3.0±0.5)	.024/.031 (0.6)/(0.8)	
MOS2 MOSX2	.472±.039 (12.0±1.0)	.591 (15.0)	.157±.02 (4.0±0.5)	.031 (0.8)	1.18±.118 (30.0±3.0)
MOS3 MOSX3	.610±.039 (15.5±1.0)	.709 (18.0)	.236±.039 (6.0±1.0)		1.50±.118 (38.0±3.0)
MOS5 MOSX5	.965±.039 (24.5±1.0)	1.10 (28.0)	.354±.039 (9.0±1.0)		

\* Lead length changes depending on taping and forming type.

**ordering information**

MOS	1	C	T52	8	A	103	J
Type	Power Rating	Termination Material	Taping and Forming	Lead Diameter	Packaging	Nominal Resistance	Tolerance
MOS MOSX	1/2: 0.5W 1: 1W 2: 2W 3: 3W 5: 5W	C: SnCu	Axial: T26, T52, T521, T631 Stand-off Axial: L52, L521, L631 Radial: VTP, VTE, GT, GT4, VTF L, U, M, N Forming	MOS(X)1: T52 & Bulk Only: 6: 0.6mm 8: 0.8mm Blank: All others sizes & packaging	A: Ammo R: Reel TEB, TEG: Plastic embossed (N forming)	±2%, ±5%: 2 significant figures + 1 multiplier “R” indicates decimal on value <10Ω ±1%: 3 significant figures + 1 multiplier “R” indicates decimal on value <100Ω	F: ±1% G: ±2% J: ±5%

For further information on packaging, please refer to Appendix C.

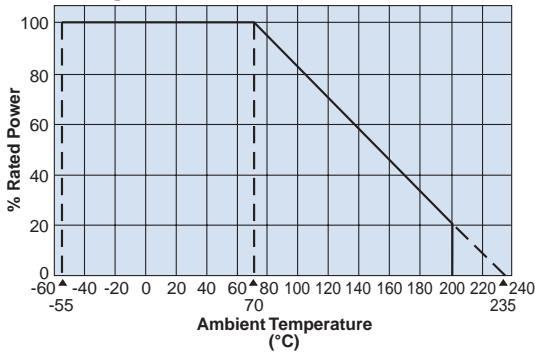
## applications and ratings

Part Designation	Power Rating @ 70°C	Minimum Dielectric Withstanding Voltage	T.C.R. (ppm/°C) Max.	Resistance Range			Absolute Maximum Working Voltage	Absolute Maximum Overload Voltage	Operating Temperature Range
				E-24, E-96* (F±1%)	E-24* (G±2%)	E-24 (J±5%)			
MOS1/2	0.5W	400V	±300	10Ω - 47kΩ	10Ω - 47kΩ	10Ω - 47kΩ	$E = \sqrt{P \times R}$	600V	-55°C to +200°C
MOS1	1.0W	500V		10Ω - 68kΩ	10Ω - 68kΩ	10Ω - 100kΩ			
MOS2	2.0W			10Ω - 100kΩ	10Ω - 100kΩ		350V	700V	
MOS3	3.0W	700V		—		10Ω - 100kΩ			
MOS5	5.0W	800V			0.1Ω - 9.1Ω		0.1Ω - 9.1Ω	$E = \sqrt{P \times R}$	
MOSX1/2	0.5W	400V		—		0.22Ω - 9.1Ω			
MOSX1	1.0W	500V			0.1Ω - 9.1Ω		0.1Ω - 9.1Ω	0.1Ω - 9.1Ω	
MOSX2	2.0W			700V		—			
MOSX3	3.0W	800V			—		—	—	
MOSX5	5.0W			800V		—			

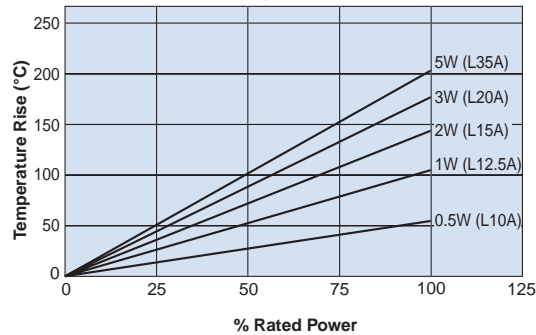
\* Please consult when there is a demand of the resistance besides the 1% and 2% range.

## environmental applications

### Derating Curve



### Surface Temperature Rise



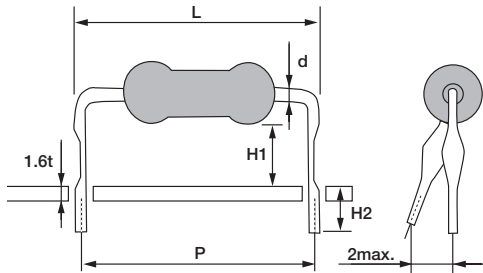
For resistors operated at an ambient temperature of 70°C or above, a power rating shall be derated in accordance with the above derating curve.

## Performance Characteristics

Parameter	Requirement $\Delta R \pm(\% + 0.05\Omega)$		Test Method
	Limit	Typical	
Resistance	Within specified tolerance	—	Measuring points are at 10mm ±1mm from the end cap.
T.C.R.	Within specified T.C.R.	—	+25°C/+125°C
Overload (Short time)	±(2% +0.1Ω)	±1%	Rated voltage x 2.5 for 5 seconds
Resistance to Solder Heat	±1%	±0.5%	260°C ±5°C, 10 seconds ± 1 second
Terminal Strength	No lead-coming off and loose terminals	—	Twist 360°C, 5 times
Rapid Change of Temperature	±1%	±0.5%	-55°C (30 minutes), +155°C (30 minutes), 5 cycles
Moisture Resistance	±(5%+0.1Ω)	±2.5%	40°C ± 2°C, 90 - 95% RH, 1000 hours, 1.5 hr ON, 0.5 hr OFF cycle
Endurance at 70°C	±(5%+0.1Ω)	±2.5%	70°C ± 2°C, 1000 hours, 1.5 hr ON, 0.5 hr OFF cycle
Resistance to Solvent	No abnormality in appearance. Marking shall be easily legible	—	Ultrasonic washing with isopropyl alcohol for 2 minutes. Power: 0.3W/cm <sup>3</sup> , f: 28kHz, Temp: 35°C ±5°C
Flame Retardant	No evidence of flaming or self-flaming	—	Flame test: the test flame shall be applied and removed for each 15 seconds respectively to repeat the cycle 5 times. Overload flame retardant: power (AC) corresponding to 2, 4, 8, 16 and 32 times the power rating shall be applied for each 1 minute until disconnection occurs. However the applied voltage shall not exceed the value of 4 times of the maximum operating voltage

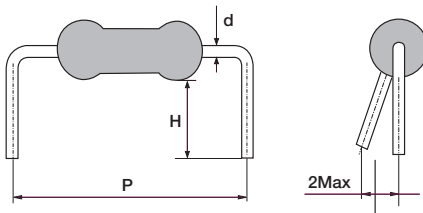
**secondary processed products**

**L Forming**



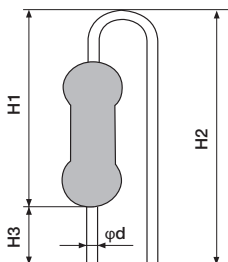
Type	Dimensions millimeters					Substrate Hole Dia.
	P	H1	H2	d (Nom.)	L max.	
1/2CL10A	10.0±1.0	5.3±1.0	4.0	0.6	17.5	ø0.8
1CL12.5A	12.5±1.0	7.0±1.0				
1CL15A	15.0±1.0	6.5±1.0				
2CL15A		7.0±1.0				
2CL15F	4.5±1.0					
2CL20A	20.0±1.0	9.0±1.0		0.8	ø1.0	
2CL20D		4.8±1.0				
3CL20A		8.0±1.0				
3CL20C		10.0±1.0				
3CL20T	4.0±1.0					
3CL25A	25.0±1.0	7.0±1.0				
3CL30A	30.0±1.0	7.0±1.0				
5CL30A		8.5±1.0				
5CL35A	35.0±1.0	5.5±1.0				

**M Forming**



Type	Dimensions millimeters			Substrate Hole Dia.
	P	H	d (Nom.)	
1/2CM10C	10.0±1.0	3.5±1.0	0.6	ø0.8
1/2CM10F	10.0±1.0	5.0±1.0	0.6	
1CM12.5C	12.5±1.0	3.5±1.0	0.8	ø1.0
1CM12.5D	12.5±1.0	4.0±1.0	0.8	
1CM15F	15.0±1.0	5.0±1.0	0.8	
1CM15J	15.0±1.0	6.3±1.0	0.8	
1CM15S	15.0±1.0	11.0±1.0	0.8	
2CM15C	15.0±1.0	3.5±1.0	0.8	
2CM15E	15.0±1.0	4.5±1.0	0.8	
2CM16D	16.0±1.0	4.0±1.0	0.8	
2CM20D	20.0±1.0	4.0±1.0	0.8	
2CM20U	20.0±1.0	13.5±1.0	0.8	
3CM20E	20.0±1.0	4.6±1.0	0.8	
3CM26E	26.0±1.0	4.7±1.0	0.8	
5CM30U	30.0±1.0	13.0±1.0	0.8	

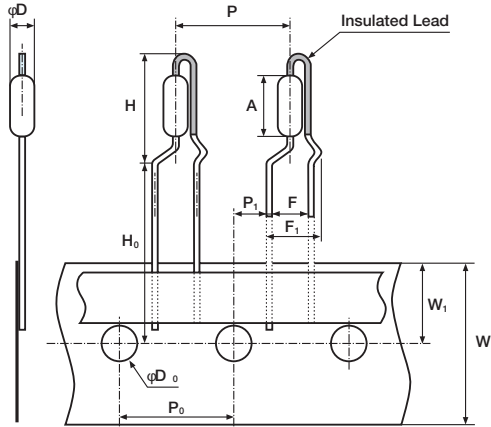
**UCL Forming**



Type	Dimensions millimeters				Insertion Pitch	Substrate Hole Dia.
	H1	H2	H3	d (Nom.)		
1CUCL	13.0±1.0	17.0 max.	3.5±1.0	0.8	5.0	ø1.0
2CUCL	14.5±1.0	18.5 max.	3.5±1.0			
3CUCL	20.0 max.	22.0±1.0	4.0±1.0			

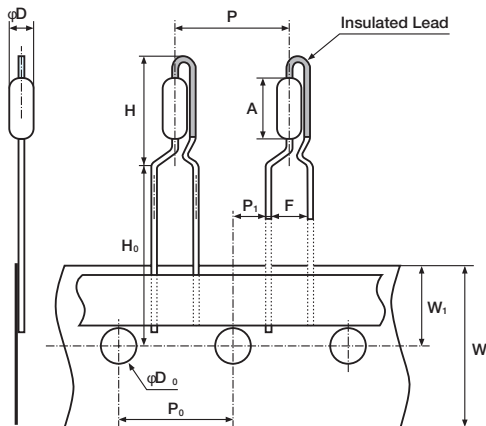
**secondary processed products** (continued)

**VTF Radial Taping**

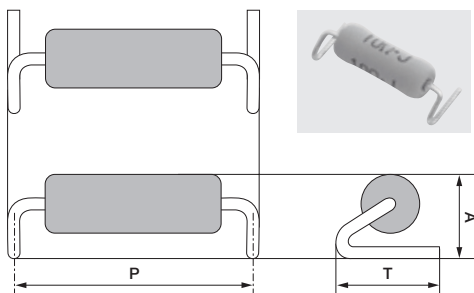


Type	1/2C	1C	2C	2C
	VTP	VTP	VTP	VTF
A	6.2±0.5	9.0±1.0	12.0±1.0	12.0±1.0
øD	2.5±0.5	3.0±0.5	4.0±0.5	4.0±0.5
d (Nom.)	0.6	0.6	0.65	0.8
F	5.0±0.5	5.0±0.5	5.0±0.5	5.0±0.5
F1	—	—	—	7.3 max.
H	13 max.	16 max.	22.5 max.	22.5 max.
H0	16.0+1.0/-0	16.0+1.0/-0	16.0+1.0/-0	16.0+1.0/-0
P	12.7±1.0	12.7±1.0	12.7±1.0	12.7±1.0
P0	12.7±0.3	12.7±0.3	12.7±0.3	12.7±0.3
P1	3.85±0.7	3.85±0.7	3.85±0.7	3.85±0.7
W	18.0±0.5	18.0±0.5	18.0±0.5	18.0±0.5
W1	9.0±0.5	9.0±0.5	9.0±0.5	9.0±0.5
øD0	4.0±0.2	4.0±0.2	4.0±0.2	4.0±0.2
Substrate Hole Dia.	ø0.8	ø0.8	ø0.8	ø1.0

**VTP Radial Taping**

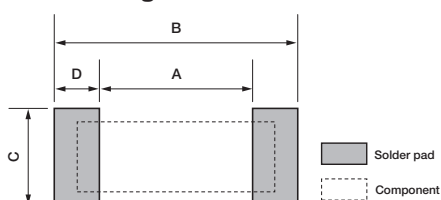


**N Forming**



Type	1C	2C	3C
	N14.5TEB	N17TEB	N20TEG
P±1	14.5	17.0	20.0
T±0.5	5.0	6.0	7.5±1.0
A±0.5	4.8	5.8	6.5
d (Nom.)	0.8	0.8	0.8

**UCL Forming**



Type	1C	2C	3C
	N14.5TEB	N17TEB	N20TEG
A	12.5	14.6	17.6
B	16.5	19.4	22.4
C	7.0	8.0	9.5
D	2.0	2.4	2.4

# Mouser Electronics

Authorized Distributor

Click to View Pricing, Inventory, Delivery & Lifecycle Information:

## KOA Speer:

[MOS1L473J](#) [MOS2LT52R150J](#) [MOSX1LT52RR51J](#) [MOS2LT52R133J](#) [MOSX2LT52RR200F](#) [MOS1LT52R270J](#)  
[MOS1LT52R273J](#) [MOS1LT52R272J](#) [MOS1LT52R910J](#) [MOS2LT52R510J](#) [MOS2LT52R471J](#) [MOS2LT52R473J](#)  
[MOS1LT52R303J](#) [MOSX3LT631RR22J](#) [MOS2LT52R472J](#) [MOS2LT52R470J](#) [MOSX3LT631RR82J](#) [MOSX5L1R5J](#)  
[MOSX2LT52RR10J](#) [MOS3LT631R361J](#) [MOS3LT631R120J](#) [MOS3LT631R243J](#) [MOSX2LT52R2R7J](#)  
[MOS3LT631R201J](#) [MOSX2LT52RR51J](#) [MOS1LT52R202J](#) [MOS1LT52R680J](#) [MOSX5L3R9J](#) [MOS2LT52R202J](#)  
[MOS2LT52R203J](#) [MOS2LT52R200J](#) [MOS2LT52R201J](#) [MOS3LT631R563J](#) [MOS3LT631R561J](#) [MOS3LT631R241J](#)  
[MOS3L471J](#) [MOS3LT631R220J](#) [MOS1LT52R223J](#) [MOS3LT631R513J](#) [MOS3LT631R751J](#) [MOS3LT631R750J](#)  
[MOS3LT631R273J](#) [MOS1/2LT52R5901F](#) [MOSX1LT52R6R8J](#) [MOSX3LT631RR75J](#) [MOSX1/2LT52RR47J](#)  
[MOS5L101J](#) [MOS1LT52R131J](#) [MOS1LT52R512J](#) [MOS1LT52R470J](#) [MOS1LT52R510J](#) [MOS1LT52R511J](#)  
[MOS2LT52R910J](#) [MOS5L753G](#) [MOS3LT631R330J](#) [MOSX1/2LT52R1R00F](#) [MOS1LT52R360J](#) [MOS1LT52R361J](#)  
[MOS3LT631R680J](#) [MOS3LT631R683J](#) [MOSX1/2LT52R1R3J](#) [MOS3LT631R681J](#) [MOS2LT52R561G](#)  
[MOS2LT52R561J](#) [MOS1LT52R333J](#) [MOS1LT52R331J](#) [MOSX3LT631R5R1J](#) [MOS2LT52R100G](#) [MOS2LT52R104J](#)  
[MOS2LT52R100J](#) [MOS2LT52R102J](#) [MOS2LT52R101J](#) [MOSX3LR51J](#) [MOSX1LT52R3R9J](#) [MOS1L330J](#)  
[MOSX1LT52RR30J](#) [MOS2LT52R273J](#) [MOS2LT52R272J](#) [MOS2LT52R271J](#) [MOSX1/2LT52RR22J](#) [MOS1LT52R620J](#)  
[MOS3LT631R181J](#) [MOS1LT52R220J](#) [MOS1LT52R221J](#) [MOSX5L2R4J](#) [MOS2LT52R431J](#) [MOS2LT52R432J](#)  
[MOS3LT631R221J](#) [MOSX5L2R0J](#) [MOS2L200J](#) [MOS1LT52R203J](#) [MOS1/2LT52R681J](#) [MOS3L180J](#)  
[MOS1/2LT52R680J](#) [MOS1/2L150J](#) [MOS5L272J](#) [MOS2LT52R301J](#) [MOS2LT52R302J](#) [MOS2LT52R300J](#)  
[MOS1LT52R121J](#)