

PSR-RSM-HTL-ADAPTER - Adapter

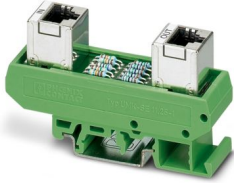


2981897

<https://www.phoenixcontact.com/us/products/2981897>

Please be informed that the data shown in this PDF document is generated from our online catalog. Please find the complete data in the user documentation. Our general terms of use for downloads are valid.

Adapter for PSR-RSM, hardware interface for HTL encoder - signal conditioning



Commercial data

Item number	2981897
Packing unit	1 pc
Minimum order quantity	1 pc
Sales key	DN01
Product key	DNA24Z
GTIN	4046356184489
Weight per piece (including packing)	38.2 g
Weight per piece (excluding packing)	38 g
Customs tariff number	85366990
Country of origin	DE

PSR-RSM-HTL-ADAPTER - Adapter



2981897

<https://www.phoenixcontact.com/us/products/2981897>

Technical data

Product properties

Product type	Adapter
Application	Signal conditioning

Mounting

Thread type	()
-------------	----

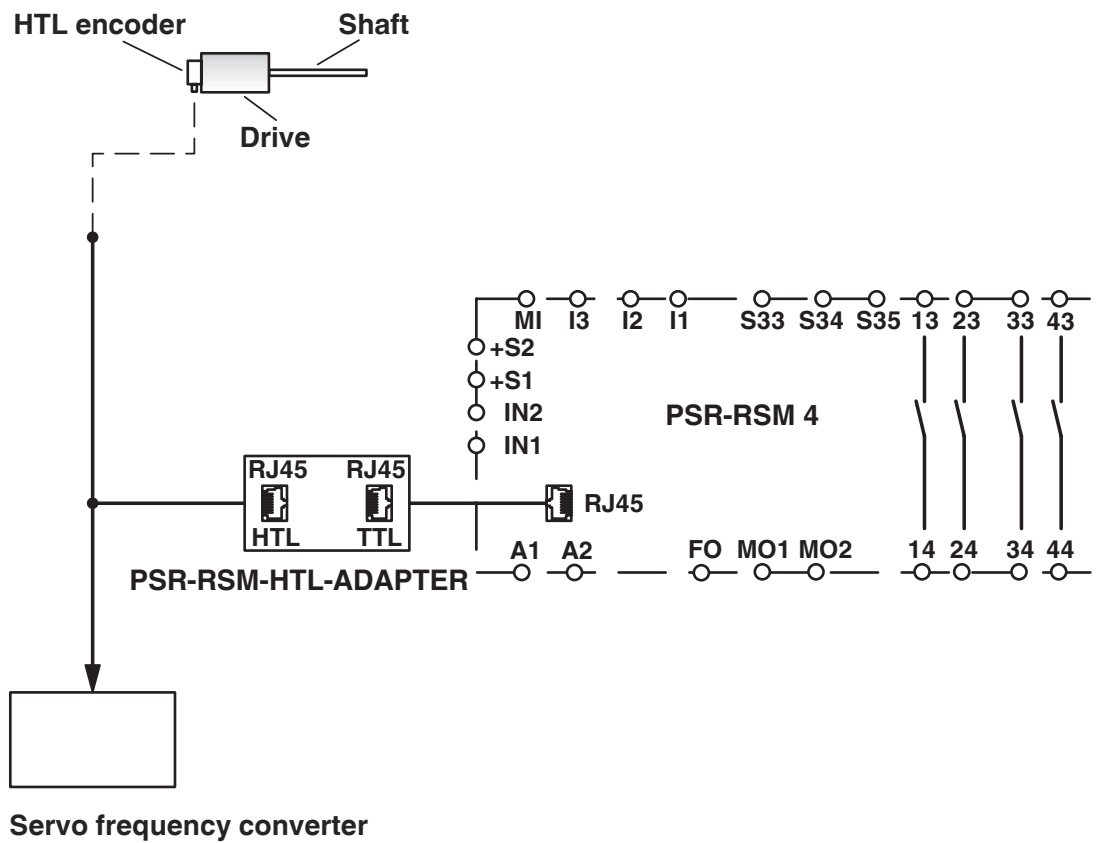
PSR-RSM-HTL-ADAPTER - Adapter

2981897

<https://www.phoenixcontact.com/us/products/2981897>

Drawings

Application drawing



PSR-RSM-HTL-ADAPTER - Adapter



2981897

<https://www.phoenixcontact.com/us/products/2981897>

Approvals

To download certificates, visit the product detail page: <https://www.phoenixcontact.com/us/products/2981897>



EAC

Approval ID: TR TS_D_01838-19

PSR-RSM-HTL-ADAPTER - Adapter



2981897

<https://www.phoenixcontact.com/us/products/2981897>

Classifications

ECLASS

ECLASS-11.0	27371392
ECLASS-12.0	27371392
ECLASS-13.0	27371392

ETIM

ETIM 9.0	EC002498
----------	----------

UNSPSC

UNSPSC 21.0	39121100
-------------	----------

PSR-RSM-HTL-ADAPTER - Adapter



2981897

<https://www.phoenixcontact.com/us/products/2981897>

Environmental product compliance

EU RoHS

Fulfills EU RoHS substance requirements	Yes, No exemptions
---	--------------------

China RoHS

Environment friendly use period (EFUP)	EFUP-E
	No hazardous substances above the limits

EU REACH SVHC

REACH candidate substance (CAS No.)	No substance above 0.1 wt%
-------------------------------------	----------------------------

Phoenix Contact 2024 © - all rights reserved
<https://www.phoenixcontact.com>

Phoenix Contact USA
586 Fulling Mill Road
Middletown, PA 17057, United States
(+717) 944-1300
info@phoenixcon.com