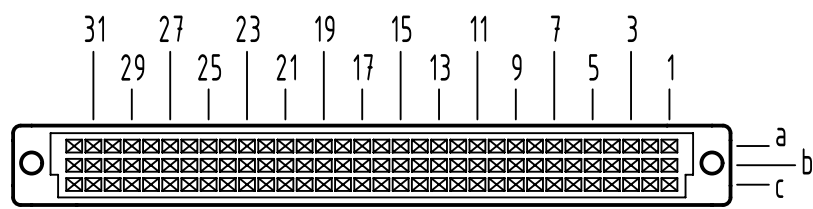


A
contact arrangement



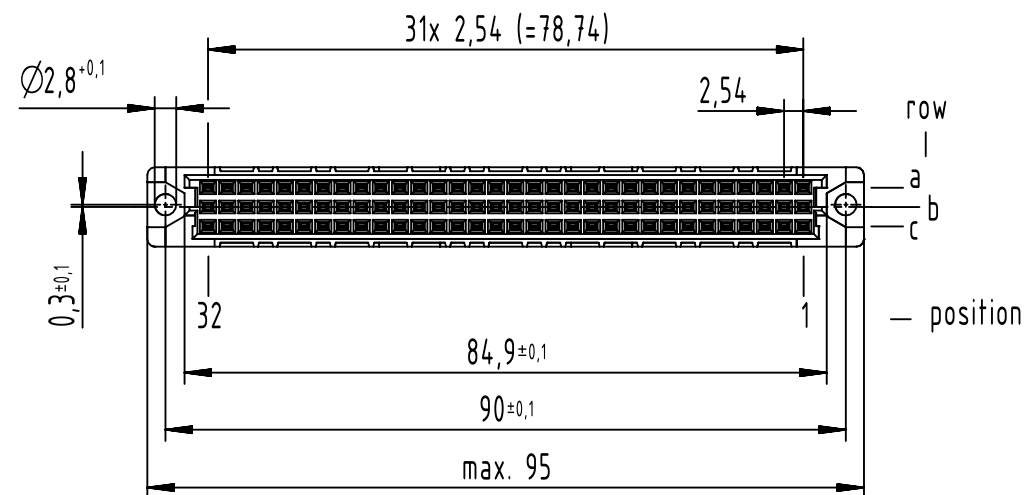
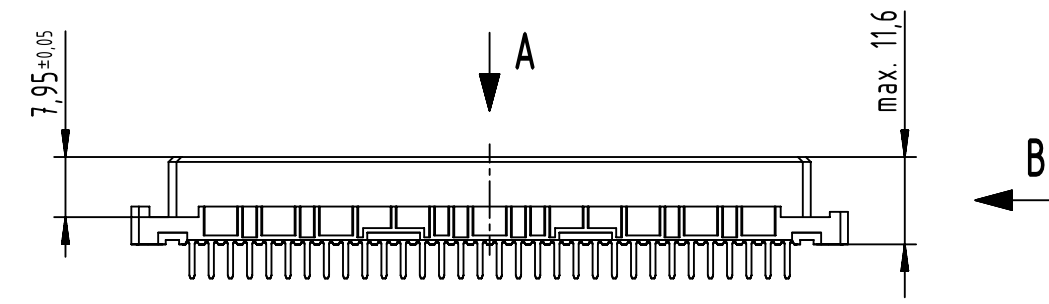
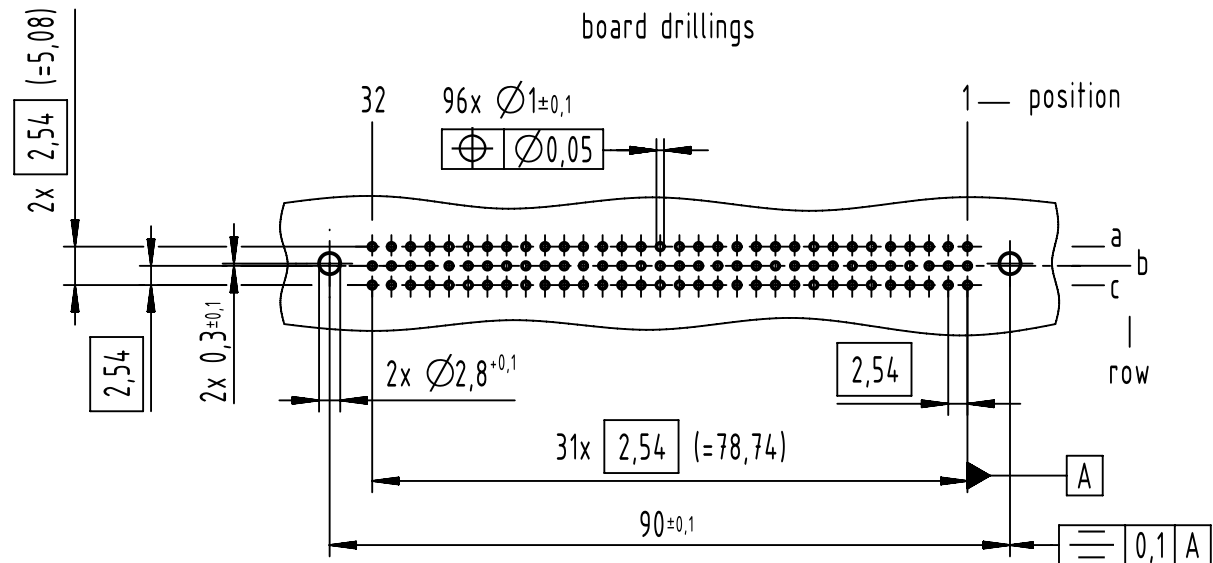
96 solder-contacts

☒ = solder-contact

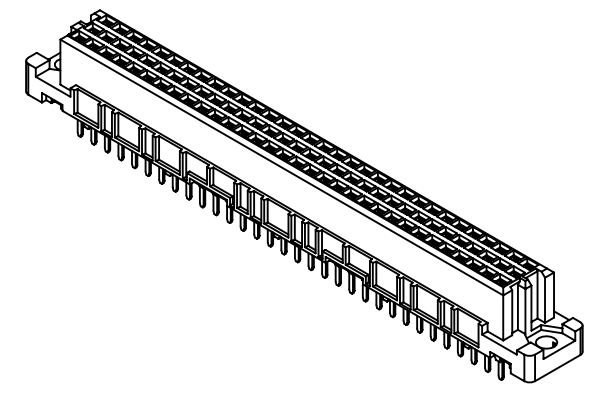
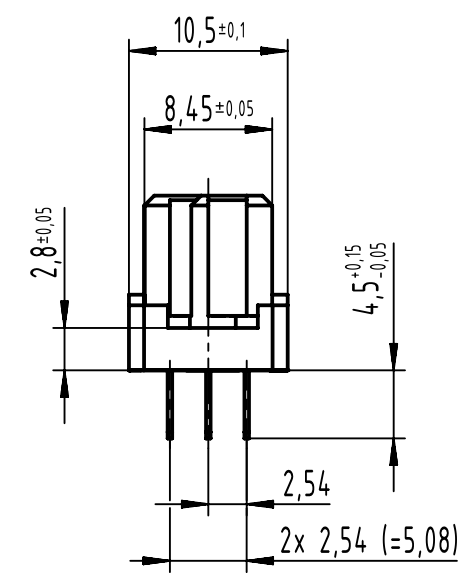
■ = kinked solder-contact

□ = position without contact

A
board drillings



B (2:1)



09 03 296 4825	Au70
09 03 296 8825	Au50
09 03 296 7825	3
09 03 296 6825	2
09 03 296 2825	1
part no.	performance level

further information see product data sheet

	All Dimensions in mm Original Size DIN A3	Scale 1:1	Free size tol. IEC 60603-2	Ref.
	All rights reserved Department EL PD	Created by STORCK	Inspected by LEHNERT	Standardisation 302077
HARTING D-32339 Espelkamp	Title DIN Signal type C female solder 4.5 96-pole			Doc-Key / ECM-Nr. 100173852/UGD/156/H 500000190783
	Type TB	Number 0903296X825	Date 2021-03-12	State Final Release
				Rev. H
				Page 1/1