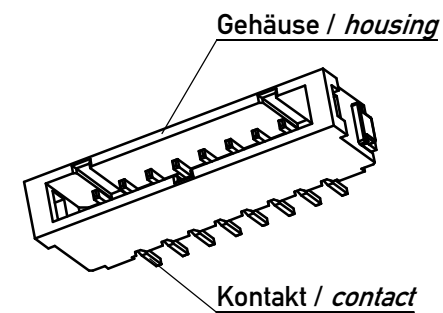


Material und Oberfläche:
Material and plating:

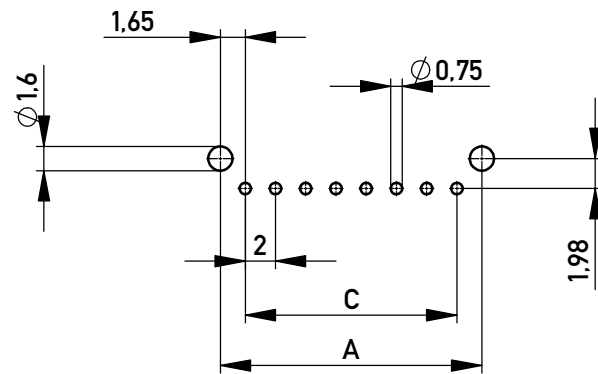
Gehäuse / housing: LCP, UL94V-0, natural
Kontakt / contact: Kupferlegierung 2.5µm verzinkt, 1.25µm Ni rundum
Copper alloy
2.5µm tin plating over 1.25µm Ni all over

Maße und Toleranzen in Übereinstimmung mit ASME Y14.5-2009 /
Interpret dimensions according to ASME Y14.5-2009



Layout:

vorgeschlagene Toleranz für PCB Layout ± 0.05
recommended PCB layout tolerance ± 0.05



Verpackung Stange / packaging tube

12	18
10	22
8	27
6	33
5	37
4	42
3	49
2	58
Polzahl No. of positions	Stück / pieces

119936	12	25.3	30.5	22
119935	10	21.3	26.5	18
109939	8	17.3	22.5	14
109938	6	13.3	18.5	10
109937	5	11.3	16.5	8
109936	4	9.3	14.5	6
109935	3	7.3	12.5	4
109934	2	5.3	10.5	2
Ident.-Nr. part-no. tube	Polzahl	Mass A	Mass B	Mass C

Information:		Tolerances	 All Dimensions in mm	Scale	5:1	
All rights reserved. Only for Information. To ensure that this is the latest version of this drawing, please contact one of the ERNI companies before using.		Subject to modification without prior notice. Drawing will not be updated.		Designation		
 www.ERNI.com		 www.ERNI.com		109933		
c	06.09.2017			I		
Index	Date			A3		
				Class	IBRIDGE	

Copyright by ERNI Production GmbH & Co. KG
Proprietary notice pursuant to ISO 16016 to be observed.

Mouser Electronics

Authorized Distributor

Click to View Pricing, Inventory, Delivery & Lifecycle Information:

[ERNI Electronics:](#)

[109935](#) [109938](#) [109939](#) [109936](#) [109934](#) [109937](#)