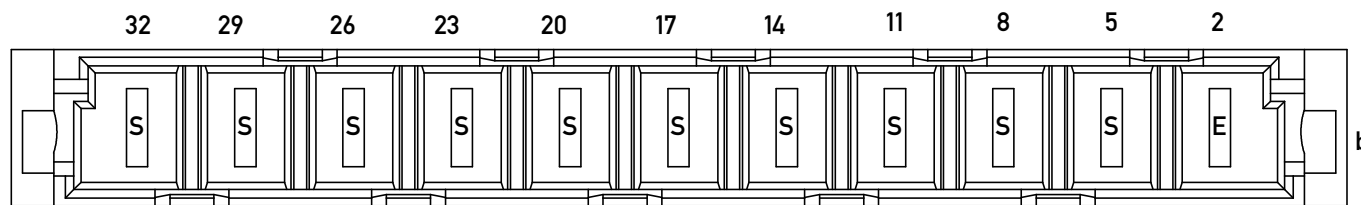
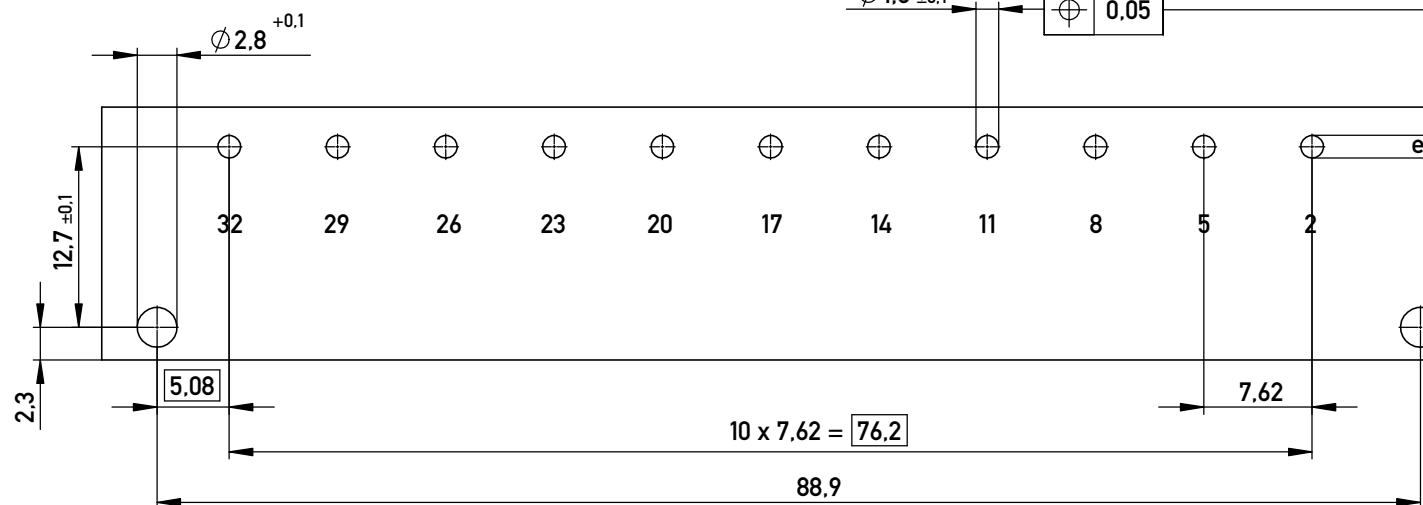


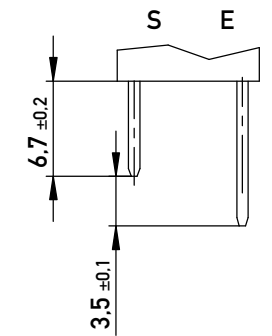
Bestückungsplan / contact layout



Leiterplatten-Layout / PCB drillhole pattern

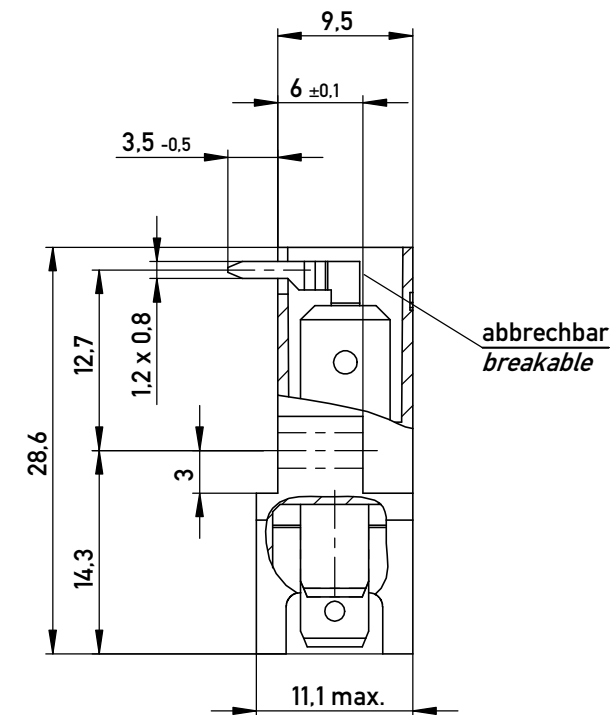


Stecklänge / mating length



E = early mate, late break / voreilend

S = standard



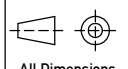

Lötanschluss 0,8 x 1,2 mm / solder terminal 0,8 x 1,2 mm

Anforderungsstufe 1 = 500 Steckzyklen / performance class 1 = 500 mating cycles

Bauart 3 / type 3

Fehlende Masse und Angaben nach DIN EN 60603-2 /

Missing information and dimensions according to DIN EN 60603-2

Information: All rights reserved. Only for Information. To ensure that this is the latest version of this drawing, please contact one of the ERNI companies before using.	Tolerances  All Dimensions in mm	Scale 2:1
	Subject to modification without prior notice. Drawing will not be updated.	Designation Messerleiste H11 Löt Male Connector H11 Solder
 www.ERNI.com	233232	
d Index	20.09.2017 Date	Class STVH11

Copyright by ERNI Production GmbH & Co. KG
Proprietary notice pursuant to ISO 16016 to be observed.

Mouser Electronics

Authorized Distributor

Click to View Pricing, Inventory, Delivery & Lifecycle Information:

[ERNI Electronics:](#)

[233232](#)