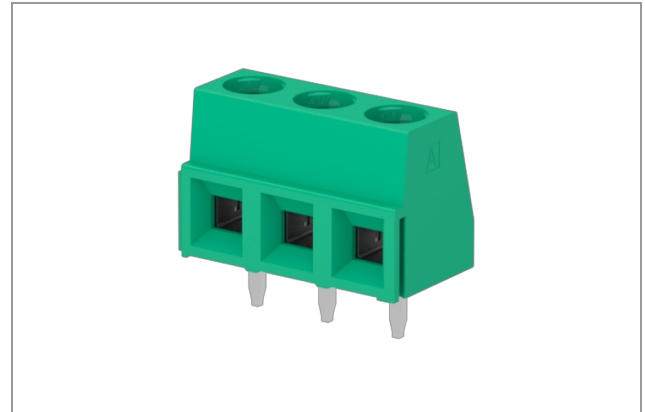


MSB04001 - Terminal block

Number of poles: 4, Clamp tightening, 17.5A, 1mm², 15AWG, 300V, Pitch 5 mm, Modular, Wiring angle 0°, Number of levels: 1, Green (RAL 6032), Soldering technology Wave, UL, VDE, IMQ, CSA



Number of poles:	4
Number of levels:	1
Sides configuration:	Modular
Pitch:	5 mm
Voltage:	300 V
Current :	17.5 A
Wire section:	0.05 ÷ 1.5 mm ² / 30 ÷ 15 AWG
Available approvals:	UL, VDE, IMQ, CSA

General Data

Features

Screw dimension	M3
Stripping length	6 mm
Operating temperature range	-40°C ÷ 110°C
Contact resistance	<15 mOhm
Insulation resistance	>1 GOhm

Certifications

CSA (n.LR 102896)

Rated voltage	300 V
Nominal current	13.5 A
Wire section	15 AWG

IMQ (n.EC318)

Rated voltage	250 V		
Nominal current	17.5 A		
Wire section	1.5 mm ²		
Insulating category	I		
Overvoltage category/Pollution degree	III/3	III/2	II/2
Impulse voltage	4kV	4kV	4kV
Rated voltage	300V	300V	600V
Insulation voltage	320V	320V	630V

UL (n.E167473)

Rated voltage	300 V
Nominal current	13.5 A
Wire section	16 AWG

VDE (n.40022744 Reg.-Nr. C519)

Rated voltage	250 V
Nominal current	13.5 A
Wire section	1 mm ²
Insulating category	I

Materials

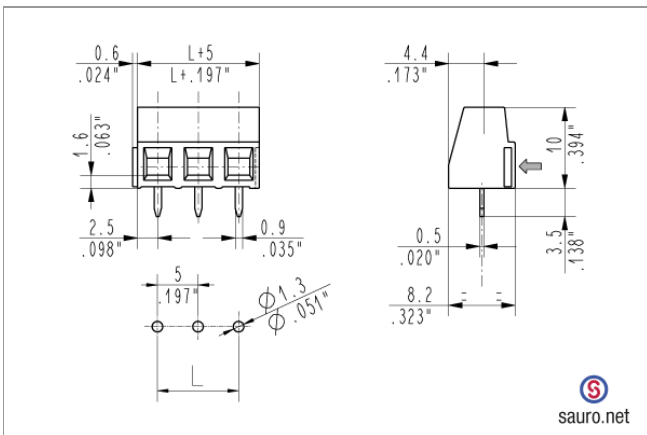
Components

Screw material	Nickel-plated copper alloy
Terminal contact	Nickel and tin on copper alloy
Clamp tightening	Nickel-plated copper alloy
Insulating housing material	PA Polyamide
Insulating material group	I (CTI \geq 600V)

Available colors

green	(similar to RAL 6032)
black	(similar to RAL 9005)
light grey	(similar to RAL 7035)
dark gray	(similar to RAL 7040)
orange	(similar to RAL 2003)
blue	(similar to RAL 5012)
red	(similar to RAL 3017)
another colors	(on demand)

Technical drawing



Derating curve

