



ALL RIGHTS RESERVED. NO PORTION OF THIS PUBLICATION, WHETHER IN WHOLE OR IN PART CAN BE REPRODUCED WITHOUT THE EXPRESS WRITTEN CONSENT OF SPC TECHNOLOGY.

SPC-F008.DWG

REVISIONS

DOC. NO. SPC-F008 * Effective: 7/8/02 * DCP No: 1398

| DCP # | REV | DESCRIPTION | DRAWN | DATE | CHECKD | DATE | APPRVD | DATE |
|-------|-----|-------------|-------|---------|--------|----------|--------|----------|
| 1937 | A | RELEASED | JWM | 11/7/01 | JN | 08/18/08 | JN | 08/18/08 |

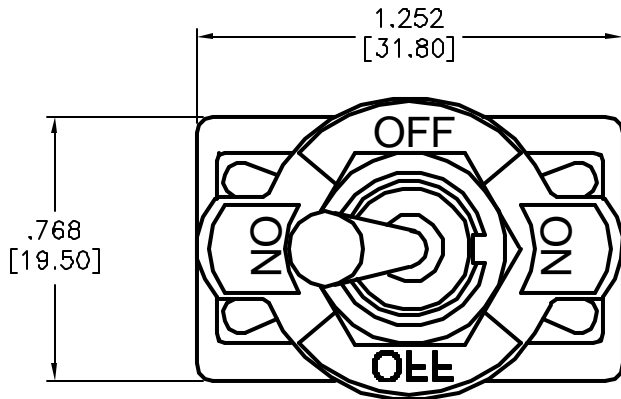
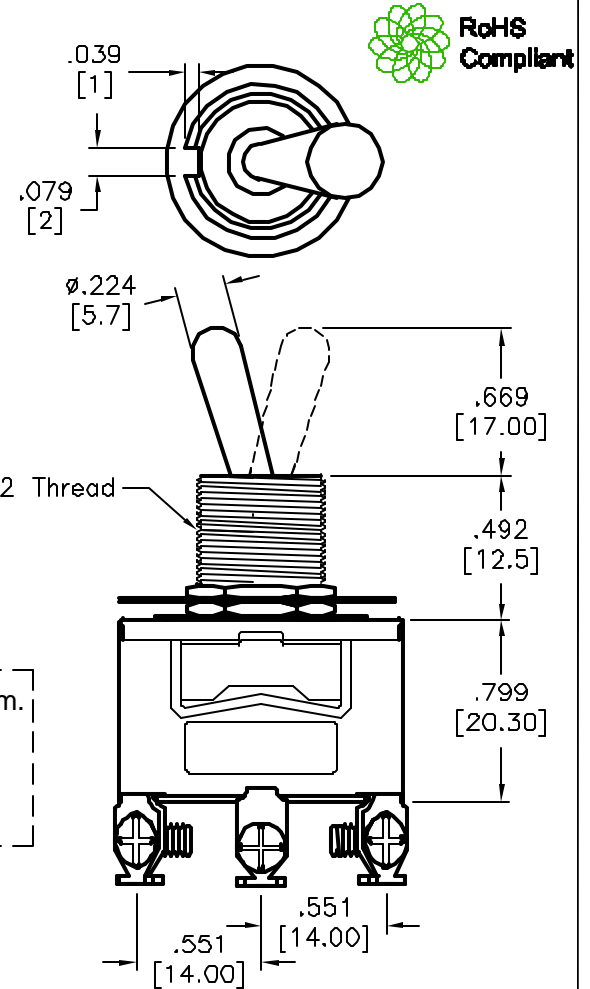
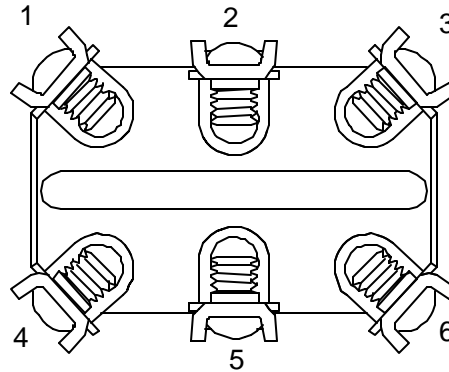


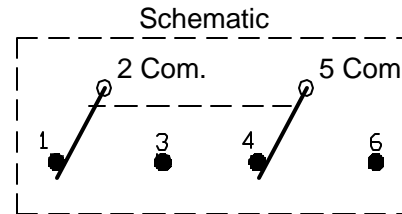
Plate shown for reference only.



M12 Thread

Screw Terminals shown for reference only.

| SPC Type No. | SWITCHING POSITION | | | Case Material | Terminal Type |
|---------------------|--------------------|------|------------------|---------------|----------------|
| | | | | | |
| SPC21169 | ON | NONE | ON | Metal | Screw (Fig.1) |
| SPC21407 | ON | NONE | ON | Metal | Solder (Fig.3) |
| SPC21166 | ON | NONE | ON | Metal | Flat (Fig.2) |
| SPC21170 | ON | OFF | ON | Metal | Screw (Fig.1) |
| SPC21167 | ON | OFF | ON | Metal | Flat (Fig.2) |
| SPC21171 | MOMENTARY | OFF | ON | Metal | Screw (Fig.1) |
| SPC21174 | MOMENTARY | OFF | MOMENTARY | Metal | Flat (Fig.2) |
| Connected Terminals | 1 - 2 4 - 5 | OPEN | 2 - 3 5 - 6 | | |



DISCLAIMER: ALL STATEMENTS AND TECHNICAL INFORMATION CONTAINED HEREIN ARE BASED UPON INFORMATION AND/OR TESTS WE BELIEVE TO BE ACCURATE AND RELIABLE. SINCE CONDITIONS OF USE ARE BEYOND OUR CONTROL, THE USER SHALL DETERMINE THE SUITABILITY OF THE PRODUCT FOR THE INTENDED USE AND ASSUME ALL RISK AND LIABILITY WHATSOEVER IN CONNECTION THEREWITH.

TOLERANCES:

UNLESS OTHERWISE SPECIFIED, DIMENSIONS ARE FOR REFERENCE PURPOSES ONLY.

| | |
|---------------|----------|
| DRAWN BY: | DATE: |
| Jeff McVicker | 11/7/01 |
| CHECKED BY: | DATE: |
| Jason Nash | 08/18/08 |
| APPROVED BY: | DATE: |
| Jason Nash | 08/18/08 |

| | | | |
|------------------------|---------------------|-----------------|-----|
| DRAWING TITLE: | | | |
| Toggle Switches – DPDT | | | |
| SIZE | DWG. NO. | ELECTRONIC FILE | REV |
| A | TA-924 | TA-924.dwg | A |
| SCALE: NTS | U.O.M.: INCHES [mm] | SHEET: 1 OF 2 | |

SPECIFICATIONS

ELECTRICAL

CONTACT RATING: 20A @ 125 VAC
 CONTACT RESISTANCE: 20 MILLIOHMS MAX.
 INSULATION RESISTANCE: 200 MEGOHMS MIN. AT 500 VDC
 DIELECTRIC STRENGTH: 1,500 VRMS

MECHANICAL

LIFE: 40,000 CYCLES

ENVIRONMENTAL

OPERATING TEMPERATURE: -30°C TO +85°C

MATERIAL

ACTUATOR: BRASS, CHROME PLATED
 BUSHING: BRASS, NICKEL PLATED
 SUPPORT: BRASS, TIN PLATED
 CONTACT/TERMINALS: COPPER ALLOY, SILVER PLATED

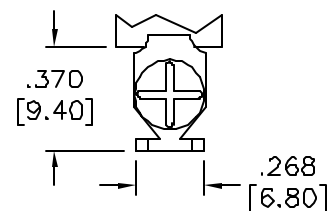


Fig. 1 (Screw Terminals)

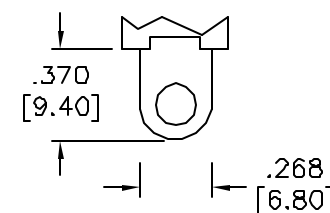


Fig. 3 (Soldered Terminals)

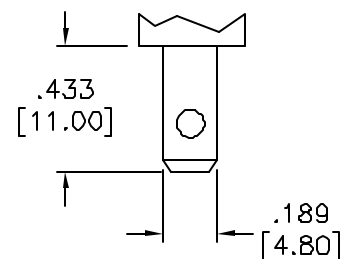


Fig. 2 (Flat/Straight Terminals)

ALL RIGHTS RESERVED. NO PORTION OF THIS PUBLICATION, WHETHER IN WHOLE OR IN PART CAN BE REPRODUCED WITHOUT THE EXPRESS WRITTEN CONSENT OF SPC TECHNOLOGY.