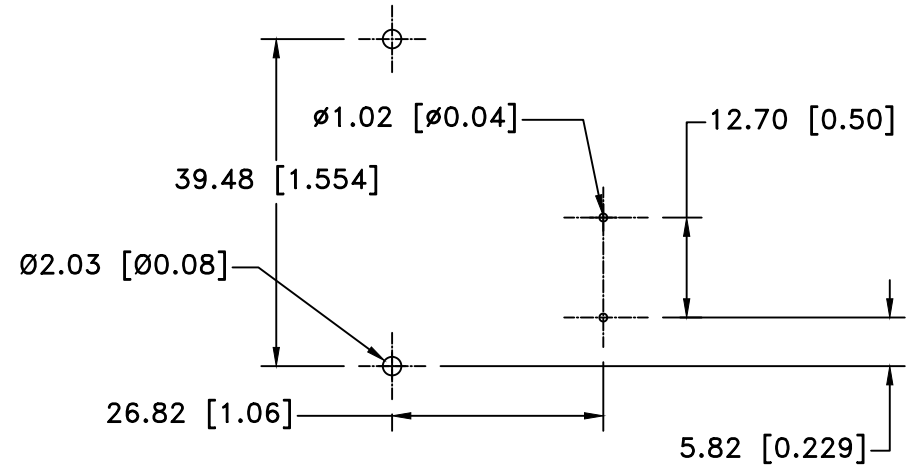
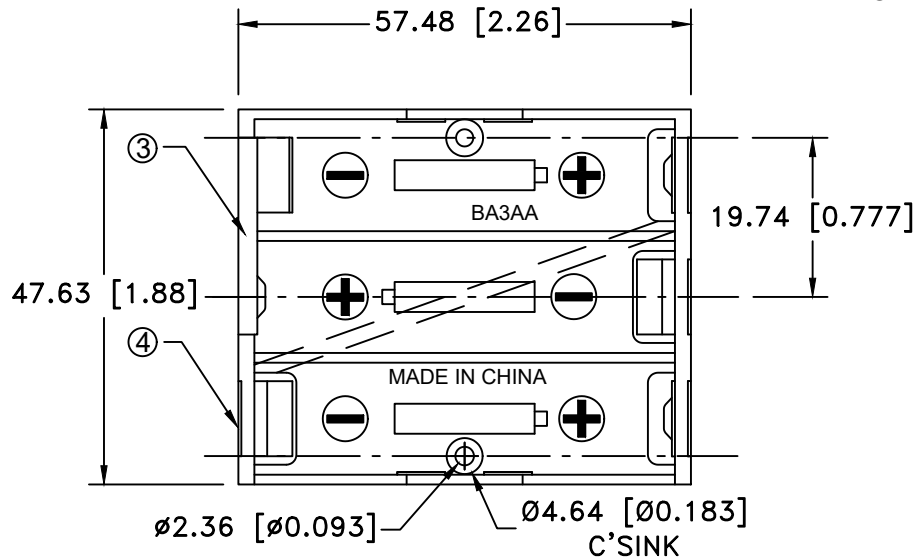


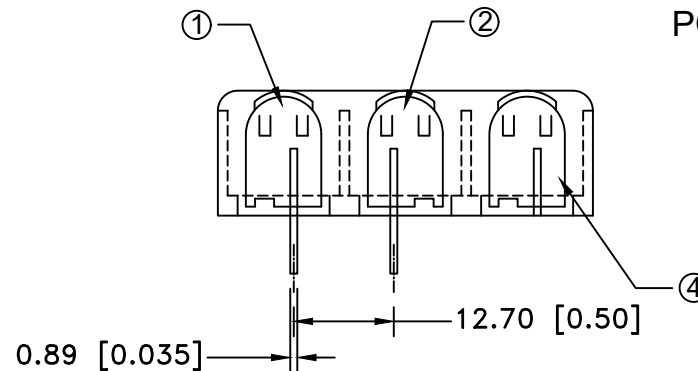
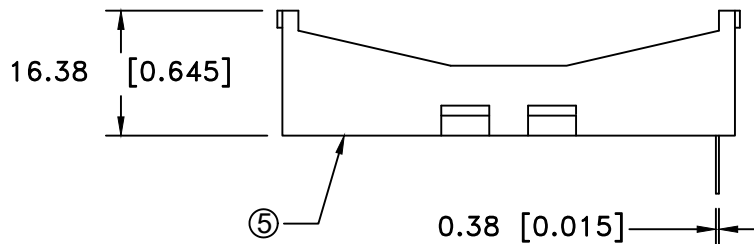
MOUNTING INSTRUCTION:

USE 2-56 MACHINE SCREWS OR EYELETS 0.089" OD BY 0.15" FLANGE STIMPSON GS-3 SERIES OR EQUIVALENT. ALSO ADHESIVES AND DOUBLE SIDED TAPES WORK WELL.

| Date | SYM | REVISION RECORD | AUTH | DR. | CK. |
|----------|-----|--|------|------|-----|
| 4/22/06 | A | ADDED "ROHS COMPLIANT" | T.B. | B.S. | |
| 10/28/06 | B | Added mounting instruction. Ø2.36 was 2.18. Ø4.57 was 4.70 | T.B. | B.S. | |
| 10/17/14 | C | Updated to ROHS 2 Compliant | T.B. | B.S. | |
| 07/01/16 | D | Changed contact material to 301 Stainless Steel | T.B. | B.S. | |
| 05/11/18 | E | Dim. 4.64 was 4.57 Dim. 2.03 was 2.36 | T.B. | B.S. | |



PCB LAYOUT



ROHS COMPLIANT

| ITEM NO. | PART NO. | MATL. SPECIFICATION | QTY. | Tolerance (Except as noted) | MPD Memory Protection Devices, Inc 200 Broad Hollow Road, Farmingdale, New York 11735 | | |
|---|-----------|--|------|--------------------------------|--|----------------|--|
| 1 | ABG-194 | POSITIVE CONTACT, 301 STAINLESS STEEL, NICKEL PLTD. | 2 | decimal | Scale | Drawn By B.S. | |
| 2 | ABG-195 | NEGATIVE CONTACT, 301 STAINLESS STEEL, NICKEL PLTD. | 1 | ±.5 (.020) | Title THREE "AA" CELL SPRINGLESS HOLDER | | |
| 3 | ABG-196-1 | RIGHT NEG./POS. CONTACT, 301 STAINLESS STEEL, NICKEL PLTD. | 1 | Fractional ± .8 (.030) | | | |
| 4 | ABG-201 | ASSY. NEG./POS. CONTACT, 301 STAINLESS STEEL, NICKEL PLTD. | 1 | Angular ± 3° | Date | Drawing Number | |
| 5 | ABG-198 | BLACK POLYPROPYLENE HOLDER, UL94-HB | 1 | | 05/11/18 | BA3AAPC | |
| SPECIFICATION: 1. HOUSING : BLACK POLYPROPYLENE, PP-1040 FLAMMABILITY RATING -UL94-HB, UL FILE NO. E216959 TEMPERATURE RANGE: -10°C to +100°C CONTACT RESISTANCE: UNDER 50mΩ FOR +/- CONTACTS PER EIA-540J000 | | | | | | | |