

Circuit Diagram

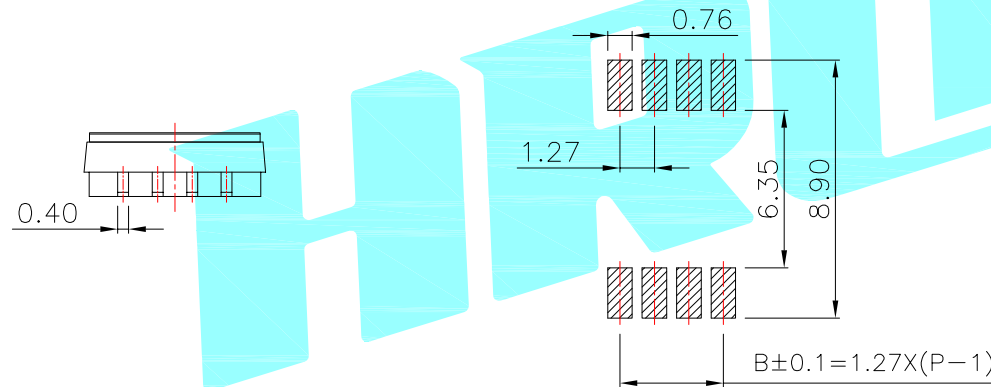
NOTES:

1.Specification:

- 1.1 Operation force: 1000gf Max.
- 1.2 Operation Temperature: -30℃ to +85℃.
- 1.3 Storage Temperature: -40℃ to +85℃.
- 1.4 Mechanical Life: 3000 cycles operations.
- 1.5 Resistance to Soldering: 250±5℃ for 3-5 Seconds.

2.ELECTRICAL:

- 2.1 Non-switch Rating: 100mA at 50V DC.
- 2.2 Switching Rating: 25mA at 24V DC.
- 2.3 Contact Resistance: Initial 50mΩ Max.
Contact Resistance: After life 100mΩ Max.
- 2.4 Insulation Resistance: 100MΩ Min at 100VDC.
- 2.5 Dielectric Strength: 300V AC for 60seconds.
- 2.6 Switch Capacitance: 5PF Max at 1MHZ.



PCB Layout(Pattern Side)

Position(位数)	2P	3P	4P	5P	6P	8P	10P	
DIM.A(长度)	4.14	5.41	6.68	7.95	9.20	11.74	14.28	
DIM.B(长度)	1.27	2.54	3.81	5.08	6.35	8.89	11.43	
PART NO. 盖子/黑色(K)	短柄(S)	EP-02KS	EP-03KS	EP-04KS	EP-05KS	EP-06KS	EP-08KS	EP-10KS

⑤	Contact Spring	—	—	Phosphor bronze	Au Plating	—
④	Terminal	—	—	Phosphor bronze	Au Plating	—
③	Base	—	1	PPS	Black	—
②	Cover	—	1	PPS	Black	—
①	Keystoke	—	—	Nylon	White	—
ITEM	PART NAME	TER'NO.	QTY.	MATERIAL	FINISHING	REMARK

APPROVALS		DATE				
DRAWN	LIUCAN	2021.9.29				
CHECKED				TITLE:	DIP SWITCH	
APPROVALS				PART NO.	EP-0000	
TOLERANCES ARE		30~BLE	±0.30	ANGLE	UNIT: mm	SCALE: 1:1
		10~30	±0.20			
		5~10	±0.15	±2'	DRAWING NO.	PROJ:
		~ 5	±0.10			

ECN NO.	REV.	DATE.	DESCRIPTION.	CHANGE.	CHECK.	APPRO.
—	A	—	NEW	—	—	—