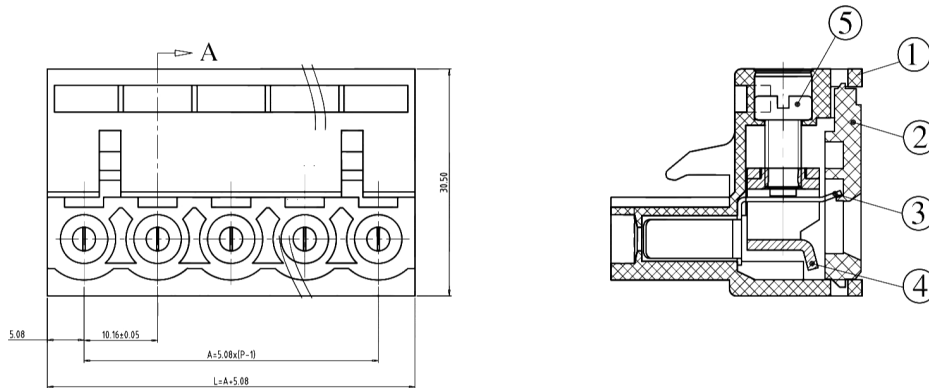


### SPECIFICATION

1. Rated voltage: 300V 15A(CE)
2. Insulation Withstands Voltage: AC2000V/MIN
3. Insulation Resistance: 500MΩ or more at DC500V
4. Using Temperature Range: -40°C/+105°C
5. Screw Torque Value: 0.4N.m
6. Suitable Electric Wire: 28-14AWG
7. Storage condition: room temperature, the humidity below 85%, shelf life: 1 year.
8. Origin: China ningbo cixi

### MATERIAL



#: Back to the material used ≤ 30%

N.o	NAME	MATERIAL	SPECIFICATIONS
1	HOUSING	PA66(UL94V-0)	GREEN
2	COVER	PA66(UL94V-0)	GREEN
3	CLAMP	BRONZE	EP-Cu/Cu1-2 Ni2-4um
4	BLOCK	STEEL	EP-Fe/Cu1-2 Zn5-8um
5	SCREW	STEEL	M3.0EP-Fe/Cu1-2 Zn5-8um

### HOW TO ORDER

**插拔式 (母座)**

系列码	序列码	特征码	识别码
Z	B	K	400R
X	X	P	GS

颜色代号: G-绿色, 标准色可省略细分代号  
 线数 (XXP), XX表示不固定线数  
 R: 进线方向与针脚水平  
 规格分类流水号  
 间距代号: 4-5.08mm  
 ZB-公司代码, K-插拔式 (公座)

Packing Bag:  
Size: 20.0×19.0 (cm)

深圳市金航标电子有限公司	WWW.BDS666.COM
KH-ZBK400R-6P-5.08GS	0755-83044319