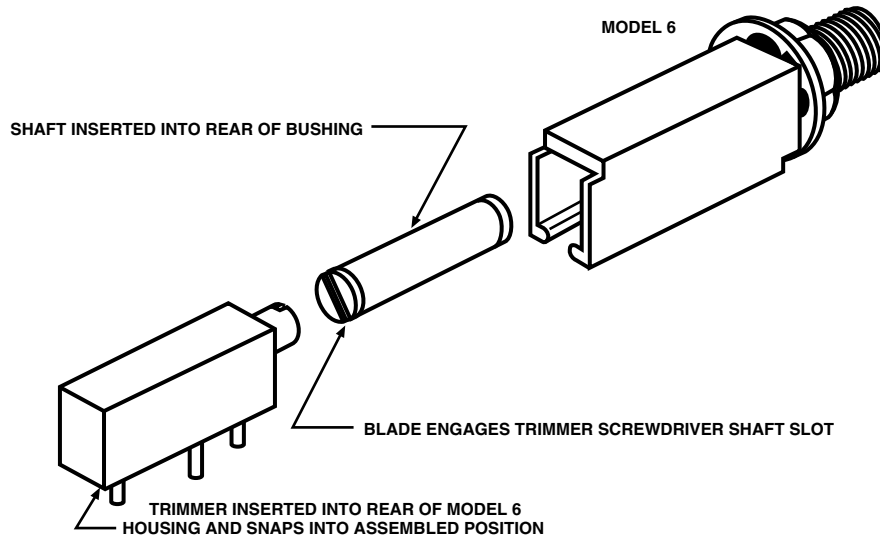


## Snap-On Panel Mount Adapters

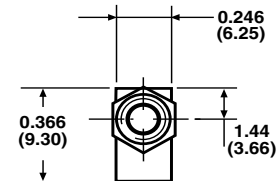
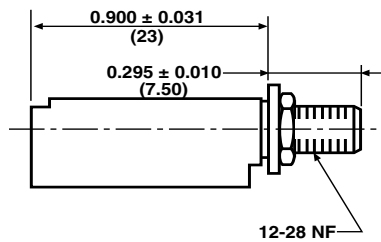
Vishay Spectrol's standard 3/4" and 1 - 1/4" rectangular trimming potentiometers, the Models 43 and 70, may be easily panel mounted through the use of Vishay Spectrol Model 6 panel mount adapters. The adapters are designed to convert these standard trimmer models into panel mount trimmers in a quick, convenient, and economical manner. Assembly with the trimmer is accomplished by snap-in, providing for minimal installation time.



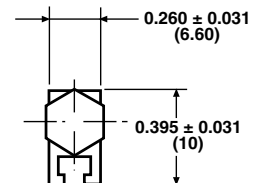
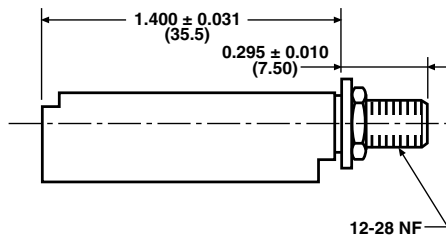
### DIMENSIONS in inches (millimeters)

#### ACTUAL SIZES

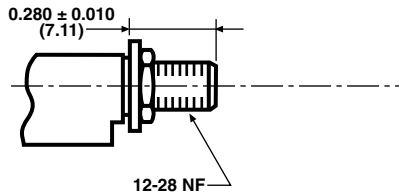
##### 6-1-0



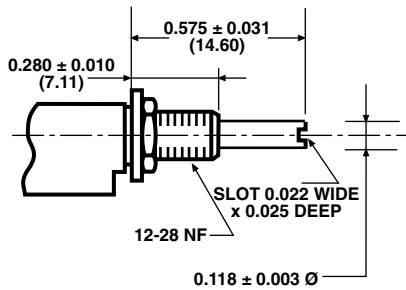
##### 6-2-0



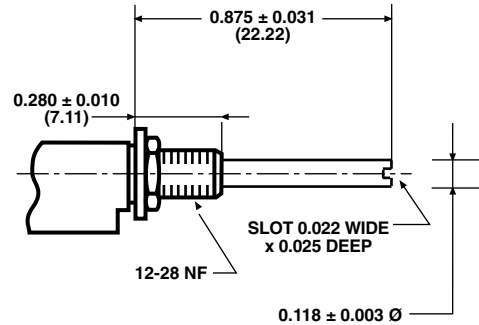
**AVAILABLE SHAFT CONFIGURATIONS**



6-1-2



6-1-3



SHAFT DIMENSIONS APPLY TO 6-1-X AND 6-2-X VERSION

**MECHANICAL SPECIFICATIONS**

- Construction:** molded polyester plastic
  - Bushing Material:** brass nickel plated
  - Bushing Hardware:** panel nut and lock washer
  - Shafts Available (Inches):** (1) flush (2) 0.575 (3) 0.875
- See photos and drawings for additional information

**PACKAGING**

Box of 100 pieces

ORDERING INFORMATION		
6 MODEL	1 TRIMMER SIZE 1: fits Vishay Spectrol Model 43 2: fits Vishay Spectrol Model 70	2 SHAFT EXTENSION 0: no extra shaft 1: shaft flush with bushing 2: 0.575 Shaft extension 3: 0.875 Shaft extension

SAP PART NUMBERING GUIDELINES																	
A	C	C	T	R	I	A	D	B	3	0	6	1	2				
MODEL						TOL.		PACKAGING CODE			SPECIAL (IF APPLICABLE)						
See the end of this data book for conversion tables																	

RELATED DOCUMENTS	
<b>APPLICATION NOTES</b>	
Potentiometers and Trimmers	<a href="http://www.vishay.com/doc?51001">www.vishay.com/doc?51001</a>
Guidelines for Vishay Sfernice Resistive and Inductive Components	<a href="http://www.vishay.com/doc?52029">www.vishay.com/doc?52029</a>

# Mouser Electronics

Authorized Distributor

Click to View Pricing, Inventory, Delivery & Lifecycle Information:

[Vishay:](#)

[006-1-0](#) [006-1-2](#) [006-1-3](#) [006-1-1](#) [006-2-0](#) [006-2-1/621](#) [ACCTRIADB30612](#) [ACCTRIADB30621](#)  
[ACCTRIADB30613](#) [ACCTRIADB30620](#) [ACCTRIADB30611](#) [ACCTRIADB30610](#) [ACCTRIADB30601](#)  
[ACCTRIADB30603](#) [ACCTRIADB30602](#)