

6

5

4

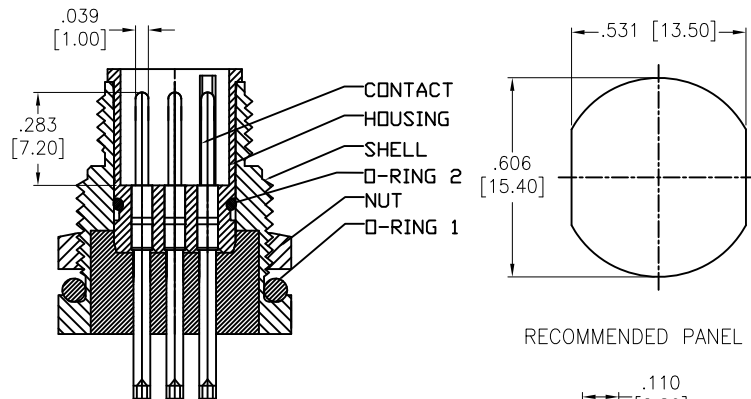
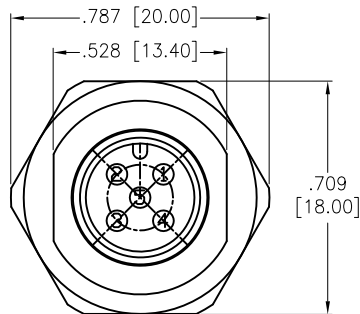
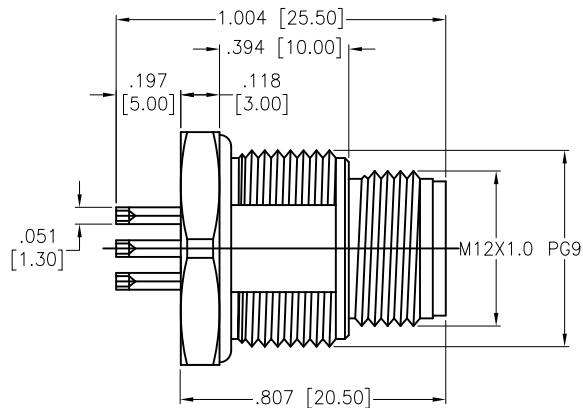
3

2

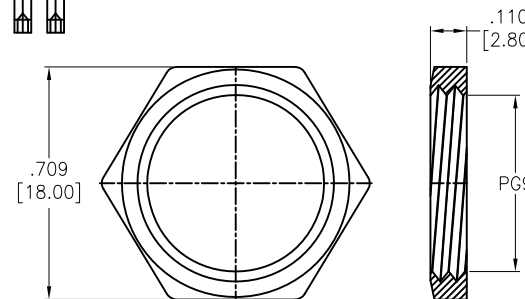
1

APPROVED: _____
 DATE: _____ TITLE: _____

Rev	AWO #	Description	Date	Appr
-		RELEASED	6/1/16	
A		UPDATE DRAWING	3/21/19	AY/RC



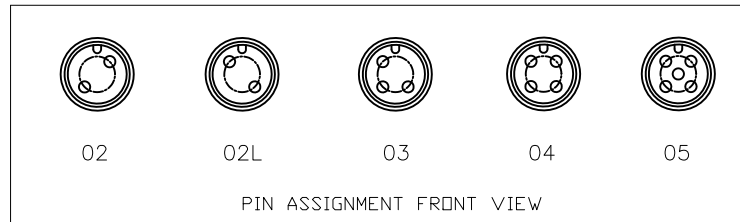
RECOMMENDED PANEL CUT



NUT

PART NAME	DESCRIPTION	COLOR
HOUSING	PBT, rated UL 94V-0	BLACK
CONTACT	BRASS, 10u" GOLD PLATED	
NUT	BRASS, NICKEL PLATED	
SHELL	BRASS, NICKEL PLATED	
O-RING1	NBR	
O-RING	SILICONE	

SD-MMAXXX-MMTPH-SX0-000
 7=IP67



PIN ASSIGNMENT FRONT VIEW

SPECIFICATIONS:
 Electrical:
 Current rating: 5 A
 Voltage rating: 125 V
 Temperature Rating:
 Operating temperature: -40°C to +85°C
 Environmental:
 Lead free, RoHS compliant.



UNLESS OTHERWISE SPECIFIED ALL DIMENSIONS ARE INCHES [MM] TOLERANCES: EXCEPT AS NOTED INCHES HOLES .X ± .10 Ø.X ± .10 .XX ± .020 Ø.XX ± .015 .XXX ± .015 Ø.XXX ± .010		ADAM TECH INTERCONNECTS		909 Rahway Avenue, Union, NJ 07083 Phone: 908-687-5000 Fax: 908-687-5710	
APPROVALS DRAWN HR 6/1/16 CHECKED CK 6/1/16 APPROVED		DATE DATE DATE		TITLE WATERPROOF CONNECTOR, MALE, M12 PANEL MOUNT, SOLDER TYPE	
SIZE X	PART NO. SD-MMAXXX-MMTPH-SX0-000	REV. A	REF: S00298T	SCALE: NTS	SHEET 1 OF 1

6

5

4

3

2

1