

# 236 Series - Adjustable Voltage Sensor

## SPDT, DPDT, 10-13 Amp



The 236 series voltage sensor Combines solid state sensing circuitry with a SPDT 13 amp relay or a DPDT 10 amp relay. The single pole version has recessed potentiometers for adjustment. The double pole version has knob adjustments. Pull-in voltage is 75 to 115% of nominal voltage. Dropout is 75 to 95% of set pick up.

Applications: Brownout protection, warning of under voltage conditions and over voltage protection.

**\*\*Prevents equipment burn out\*\***

### GENERAL SPECIFICATIONS (@ 25° C)

<b>Contacts:</b>	SPDT, DPDT
Contact Configuration	Silver Alloy
Contact Material	
Contact Rating	SP = 13 Amp / 13 Amp, DP = 10 Amp / 10 Amp
120 / 240VAC Resistive	SP = 13 Amp, DP = 10 Amp
28VDC Resistive	1/3Hp
Motor 120VAC	1/2Hp
Motor 240VAC	500mW
Minimum Contact Load	100 milliohms max @ 6VDC
Contact Resistance, Initial	

<b>Coil:</b>	
Coils Available	AC and DC
Power Consumption	3.5VA, 3.5W
Input Voltage Absolute Maximum	Lowest of +60% of nominal or 600VAC
Pickup Voltage Range	75% to 115% of nominal
Dropout Voltage Range	75% to 95% of set pickup
Transient Protection	Yes
Reverse Polarity Protection	Yes
Duty	Continuous

<b>Dielectric Strength:</b>	
Across Open Contacts	500Vrms
Between Mutually Insulated Points	1500Vrms
Insulation Resistance	1,000 Mohms min @ 500VDC

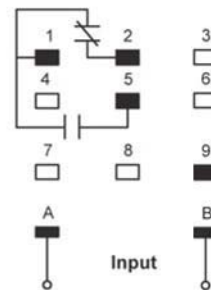
<b>Temperature:</b>	
Operating	-20 to 55°C (-4 to 131°F)
Storage	-40 to 85°C (-40 to 185°F)

<b>Life Expectancy:</b>	
Electrical (full load operations)	100,000
Mechanical (no load operations)	SPDT = 5,000,000 DPDT = 10,000,000

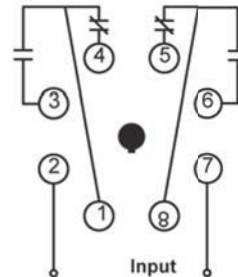
<b>Miscellaneous:</b>	
Mounting Position	Any
Mating Socket	SPDT = SK-SQB11-DS DPDT = SK-CIR8-DS
Accessories	
Enclosure	Opaque Polycarbonate
Weight	SPDT = 4.4oz (125 grams) DPDT = 5.5oz (156 grams)



236 Wire Diagram



Octal Base



Square Base

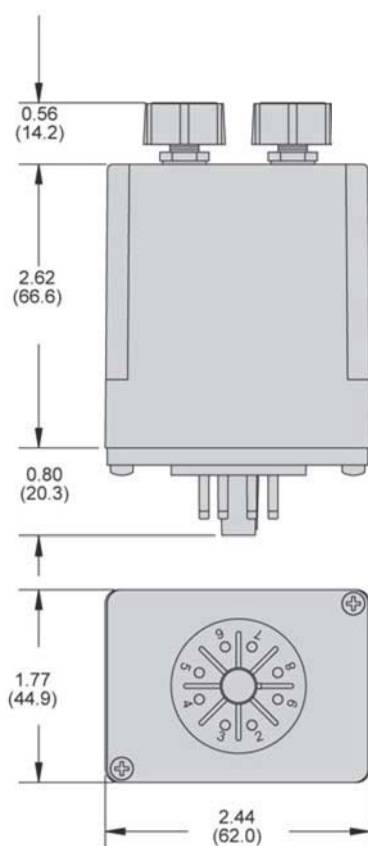
# Timer / Sensor - Voltage Sensing Relay

## 10 - 13 Amp

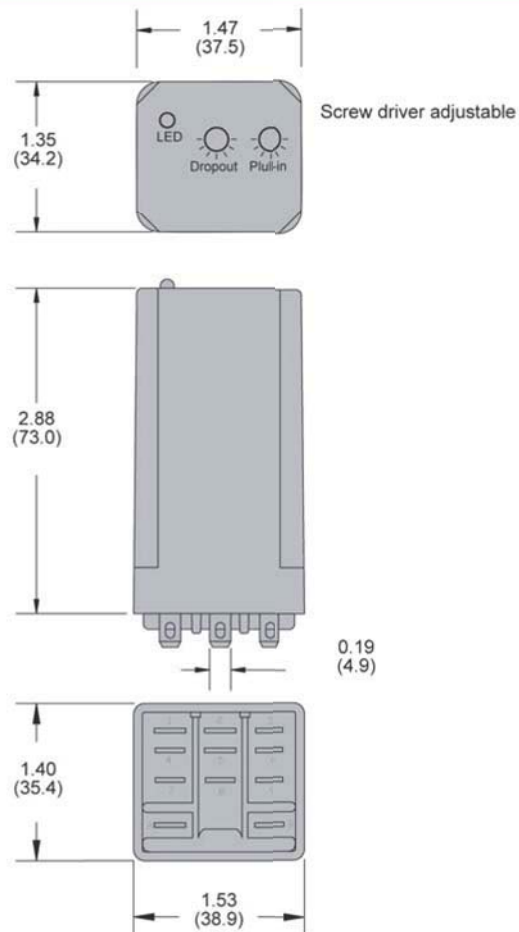
### Outline Dimensions

Dimensions Shown in inches & (millimeters)

#### Octal Base



#### Square Base



### 236 Part Number Chart

Part number	Nominal input voltage
Octal Base	
236ACPX-1	120VAC
236ACPX-4	24VAC
236CPX-1	24VDC
Square Base	
236ACX-1	120VAC
236ACX-2	208/240VAC
236ACX-1	480VAC