

# SURGING

紹 鑫 實 業

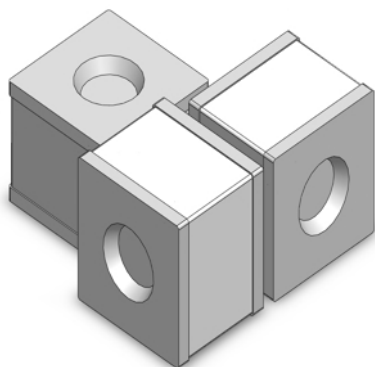


# SurgeArresters

陶瓷气体放电管

X5 Series

## Gas Discharge Tubes - X5 Series



### Schematic Symbol



Gas discharge Tubes (GDT) are classical components for protecting the installations of the telecommunications. It is essential that IT and telecommunications systems -with their high-grade but sensitive electronic circuits - be protected by arresters. They are thus fitted at the input of the power supply system together with varistors and at the connection points to telecommunication lines. They have become equally indispensable for protecting base stations in mobile telephone systems as well as extensive cable television (CATV) networks with their repeaters and distribution systems.

These protective components are also indispensable in other sectors, In AC power transmission systems, they are often used with current-limiting varistors, In customer premises equipment such as DSL modems, WLAN routers, TV sets and cable modems In air-conditioning equipment, the integral black-box concept offers graduated protection by combining arresters with varistors, PTC, diodes and inductor.

### Agency Approvals

- u Non-Radioactive
- u RoHS compliant
- u Low insertion loss
- u Excellent response to fast rising transients
- u Ultra low capacitance
- u 5KA surge capability tested with 8/20µs pulse as defined by IEC 61000-4-5

### Applications

- u Communication equipment
- u CATV equipment
- u Test equipment
- u Data lines
- u Power supplies
- u Telecom SLIC protection
- u Broadband equipment
- u ADSL equipment, including ADSL2+
- u XDSL equipment
- u Satellite and CATV equipment
- u Consumer electronics

### Product Characteristics

<b>Materials</b>	Dull Tin-plated
<b>Product Marking</b>	Without
<b>Glow to Arc Transition Current</b>	< 0.5 Amps
<b>Glow Voltage</b>	~60 Volts
<b>Storage and Operational Temperature</b>	-40 to +90°C
<b>Weight</b>	~0.5g

### Part Numbering

**X5 - 90X SMDT**

**Series:**

X5系列: φ5\*5\*4.2  
S5系列: φ5\*5

**DCLineVoltage:**

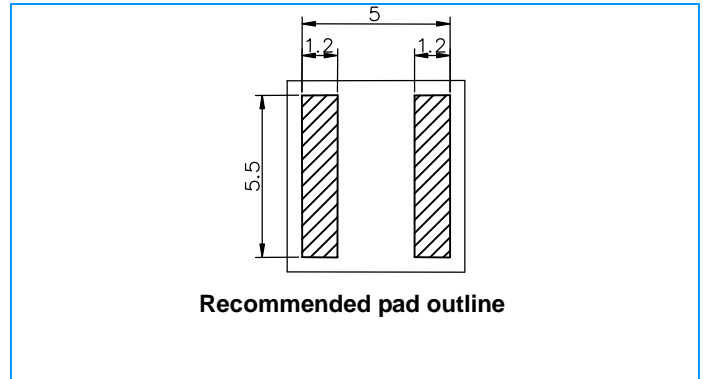
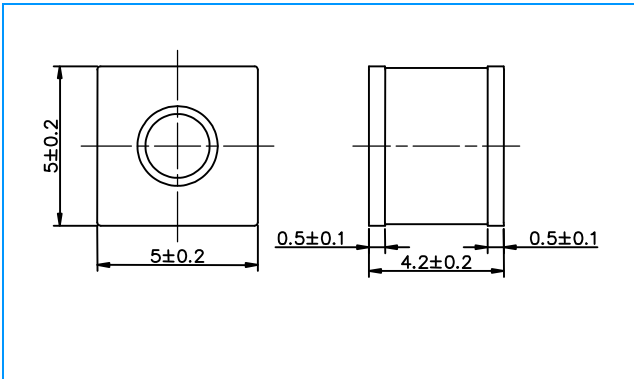
90X=90V  
230X=230V

**Package:**

SMD=Cylinder No Lead  
SMDT=2-SMD Cylinder Square End

## Gas Discharge Tubes - X5 Series

### Device Dimensions (Unit: mm)



### Electrical Characteristics

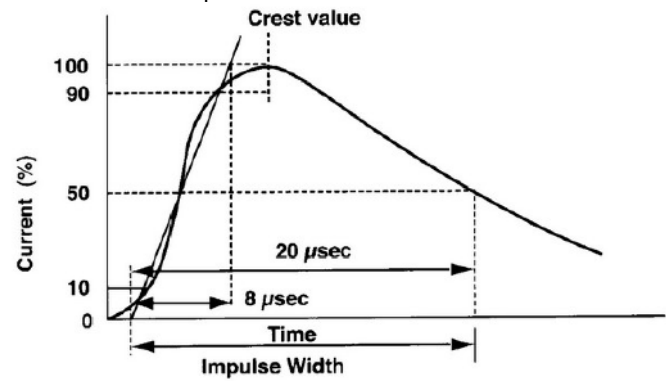
Part Number	DC Spark-over Voltage	Maximum Impulse Spark-over Voltage		Minimum Insulation Resistance	Maximum Capacitance	Arc Voltage	Service Life			
		@100V/μs	@1KV/μs				Nominal Impulse Discharge Current	Max Impulse Discharge Current	Nominal Alternating Discharge Current	Impulse Life
	@100V/S	@100V/μs	@1KV/μs	@1MHz	@1A	@8/20μs ±5 times	@8/20μs 1 time	@50Hz 1 Sec 10 times	@10/1000μs 300 times	
X5-90XSMDT	90V±20%	500V	650V	1 GΩ (at 50V DC)	1.0pF	~15V	5KA	10KA	5A	100A
X5-150XSMDT	150V±20%	500V	650V	1 GΩ (at 50V DC)	1.0pF	~20V	5KA	10KA	5A	100A
X5-200XSMDT	200V±20%	500V	650V	1 GΩ (at 100V DC)	1.0pF	~20V	5KA	10KA	5A	100A
X5-230XSMDT	230V±20%	600V	700V	1 GΩ (at 100V DC)	1.0pF	~20V	5KA	10KA	5A	100A
X5-300XSMDT	300V±20%	700V	800V	1 GΩ (at 100V DC)	1.0pF	~20V	5KA	10KA	5A	100A
X5-350XSMDT	350V±20%	700V	800V	1 GΩ (at 100V DC)	1.0pF	~20V	5KA	10KA	5A	100A
X5-400XSMDT	400V±20%	800V	950V	1 GΩ (at 100V DC)	1.0pF	~20V	5KA	10KA	5A	100A
X5-470XSMDT	470V±20%	900V	1000V	1 GΩ (at 100V DC)	1.0pF	~20V	5KA	10KA	5A	100A
X5-600XSMDT	600V±20%	1100V	1200V	1 GΩ (at 100V DC)	1.0pF	~20V	5KA	10KA	5A	100A

**Notes:**

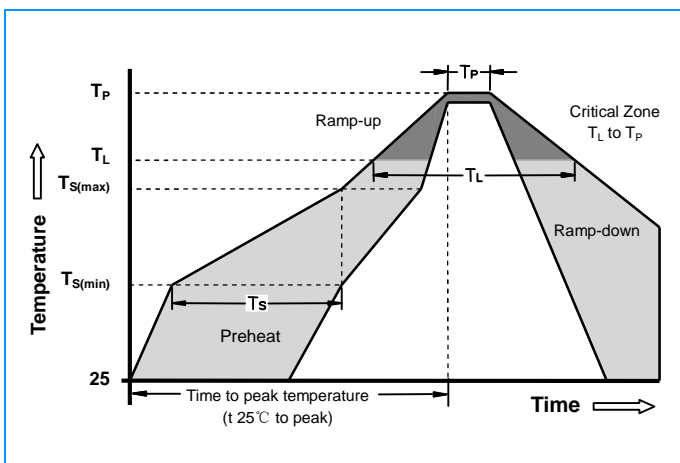
1. Terms in accordance with ITU-T K.12 and GB/T 9043-2008
2. At delivery AQL 0.65 level II, DIN ISO 2859

## Gas Discharge Tubes - X5 Series

### Electrical Rating

Item	Test Condition / Description	Requirement
<b>DC Spark-over Voltage</b>	The voltage is measured with a slowly rate of rise $dv / dt=100V/s$	To meet the specified value
<b>Impulse Spark-over Voltage</b>	The maximum impulse spark-over voltage is measured with a rise time of $dv / dt=100V/\mu s$ or $1KV/\mu s$	
<b>Insulation Resistance</b>	The resistance of gas tube shall be measured each terminal each other terminal, please see above spec.	
<b>Capacitance</b>	The capacitance of gas tube shall be measured each terminal to each other terminal. Test frequency :1MHz	
<b>Nominal Impulse Discharge Current</b>	The maximum current applying a waveform of 8/20 $\mu s$ that can be applied across the terminals of the gas tube. One hour after the test is completed, re-testing of the DC spark-over voltage does not exceed $\pm 30\%$ of the nominal DC spark-over voltage. Dwell time between pulses is 3 minutes. 	
<b>Nominal Alternating Discharge Current</b>	Rated RMS value of AC current at 50Hz, 1 sec. 10 times. Intervals: 3min. The DC spark-over voltage does not exceed $\pm 30\%$ of the nominal DC spark-over voltage. $IR > 10^8 ohms$ .	

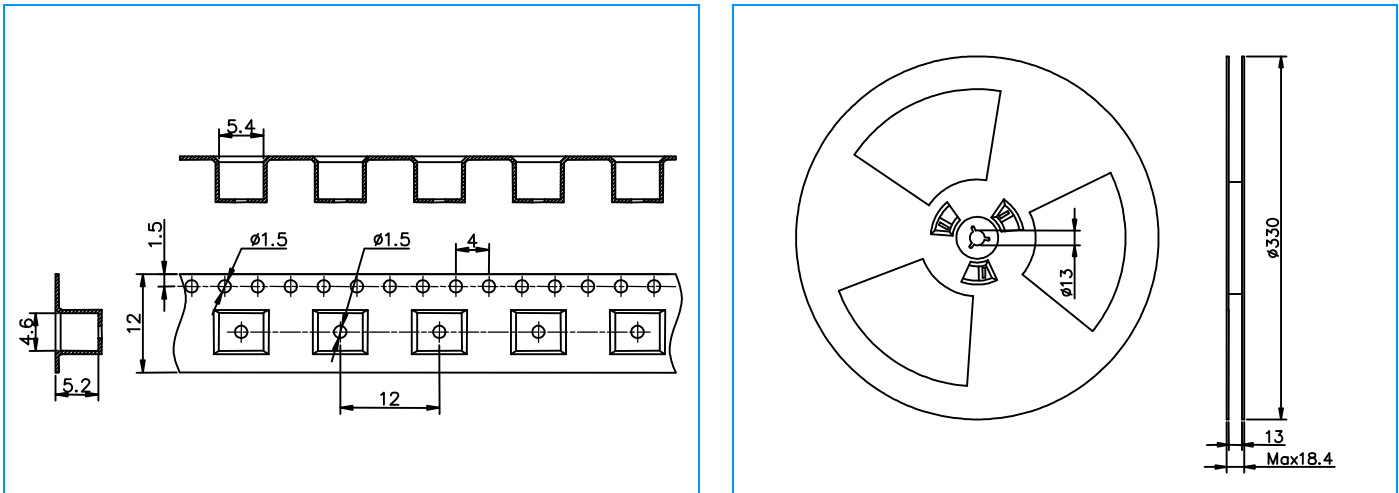
### Recommended soldering profile



<b>Reflow Condition</b>		Pb - Free assembly
<b>Pre Heat</b>	- Temperature Min ( $T_{s(min)}$ )	150°C
	- Temperature Max ( $T_{s(max)}$ )	200°C
	- Time (min to max) ( $t_s$ )	60 -180 Seconds
<b>Average ramp up rate ( Liquidus Temp <math>T_L</math>) to peak</b>		3°C/second max
<b><math>T_{s(max)}</math> to <math>T_L</math> - Ramp-up Rate</b>		5°C/second max
<b>Reflow</b>	- Temperature ( $T_L$ ) (Liquidus)	217°C
	- Time (min to max) ( $t_s$ )	60 -150 Seconds
<b>Peak Temperature (<math>T_P</math>)</b>		260 +0/-5°C
<b>Time within 5°C of actual peak Temperature (<math>t_p</math>)</b>		10 - 30 Seconds
<b>Ramp-down Rate</b>		6°C/second max
<b>Time 25°C to peak Temperature (<math>T_P</math>)</b>		8 minutes Max
<b>Do not exceed</b>		260°C

## Gas Discharge Tubes - X5 Series

## Tape and Reel Dimensions Unit: mm



## Cautions and warnings

- u Gas discharge tubes (GDT) must not be operated directly in power supply networks.
- u Gas discharge tubes (GDT) may become hot in case of longer periods of current stress (danger of burning).
- u Gas discharge tubes (GDT) may be used only within their specified values. In the event of overload, the head contacts may fail or the component may be destroyed.
- u Damaged Gas discharge tubes (GDT) must not be re-used.