

Product data sheet

Specifications



passive filter, Altivar, 160A, 460V, 60Hz, for variable speed drive

VW3A46170

Main

Product or component type	Passive filter
Product specific application	Reduction of current harmonics

Complementary

Range compatibility	Altivar 71 Altivar 61 Altivar Process ATV900 Altivar Process ATV600
[Us] rated supply voltage	480 V +/- 10 %
power supply frequency	60 Hz +/- 2 %
Quantity per drive	1 filter per drive for variable speed drive ATV61H motor: 90 kW/125 hp 1 filter per drive for variable speed drive ATV61W motor: 90 kW/125 hp 1 filter per drive for variable speed drive ATV71H motor: 90 kW/125 hp 1 filter per drive for variable speed drive ATV71Q motor: 90 kW/125 hp 1 filter per drive for variable speed drive ATV650 wall mount, motor: 90 kW/125 hp 1 filter per drive for variable speed drive ATV630 wall mount, motor: 90 kW/125 hp 1 filter per drive for variable speed drive ATV950 wall mount, motor: 90 kW/125 hp 1 filter per drive for variable speed drive ATV930 wall mount, motor: 90 kW/125 hp
[In] rated current	154 A for input 160 A for output
Network number of phases	3 phases
THDI	5 % for variable speed drive ATV61H motor: 90 kW/125 hp 5 % for variable speed drive ATV61W motor: 90 kW/125 hp 5 % for variable speed drive ATV71H motor: 90 kW/125 hp 5 % for variable speed drive ATV71Q motor: 90 kW/125 hp 5 % for variable speed drive ATV650 motor: 90 kW/125 hp 5 % for variable speed drive ATV630 motor: 90 kW/125 hp 5 % for variable speed drive ATV950 motor: 90 kW/125 hp 5 % for variable speed drive ATV930 motor: 90 kW/125 hp
Max current	1.5 x nominal current (duration = 60 s)
Efficiency	98 %
Thermal losses	962 W
Cos phi	1 (150 % of line current) 0.85 (75 % of line current) 0.99 (100 % of line current)
Electrical connection	A, B terminal, connection capacity: 2.5 mm ² X1-1...X2-3 terminal, connection capacity: 2.5...90 mm ²
Electrical insulation class	Class F
Net weight	126 kg

Environment

IP degree of protection	IP20 IP55 (enclosure mounting)
Vibration resistance	2 mm peak to peak (f= 5...13.2 Hz) conforming to IEC 60068-2-6 0.7 gn (f= 13.2...150 Hz) conforming to IEC 60068-2-6
Relative humidity	5...85 % without condensation
Ambient air temperature for operation	45...60 °C (with current derating 3 % per °C) 5...45 °C (without current derating)
Ambient air temperature for storage	-25...55 °C storage in original packaging -25...65 °C during transport
Operating altitude	<= 1000 m without current derating > 1000...4000 m with current derating 5 % per 1000 m
Standards	IEC 61000-3-4 IEC 61000-3-12 IEC 61000-2-2 IEC 61000-2-4 G5/4 engineering recommendation IEC 61000-3-2

Packing Units

Unit Type of Package 1	PCE
Number of Units in Package 1	1
Package 1 Height	61.000 cm
Package 1 Width	60.000 cm
Package 1 Length	80.000 cm
Package 1 Weight	138.2 kg

Sustainability

Green Premium™ label is Schneider Electric's commitment to delivering products with best-in-class environmental performance. Green Premium promises compliance with the latest regulations, transparency on environmental impacts, as well as circular and low-CO₂ products.

Guide to assessing product sustainability is a white paper that clarifies global eco-label standards and how to interpret environmental declarations.

[Learn more about Green Premium >](#)

[Guide to assess a product's sustainability >](#)

Well-being performance

✓ Reach Free Of Svhc

✓ Toxic Heavy Metal Free

✓ Mercury Free

✓ Rohs Exemption Information [Yes](#)

Eu Rohs Directive Pro-active compliance (Product out of EU RoHS legal scope)

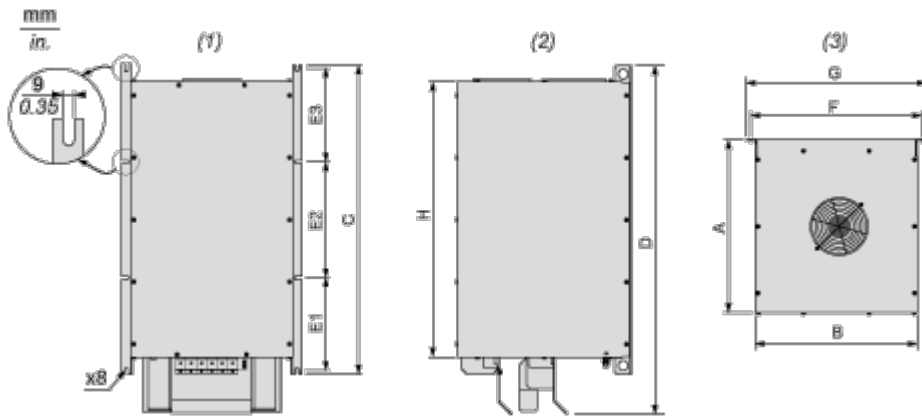
[EU RoHS Declaration](#)

China Rohs Regulation [China RoHS declaration](#)

California Proposition 65 WARNING: This product can expose you to chemicals including: Lead and lead compounds, which is known to the State of California to cause cancer and birth defects or other reproductive harm. For more information go to www.P65Warnings.ca.gov

Dimensions Drawings

Dimensions



- (1) Front view
- (2) Right side view
- (3) Top view

Dimensions in mm

A	B	C	D	E1	E2	E3	F	G	H
400	370	685	767.6	212	240	212	393	418	598

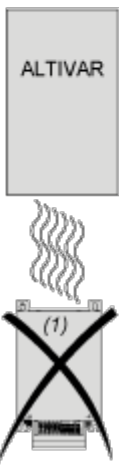
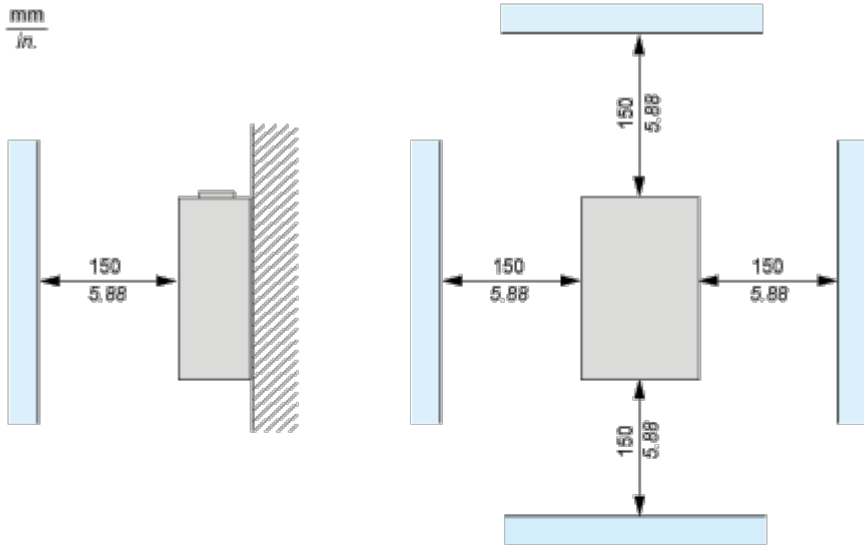
Dimensions in in.

A	B	C	D	E1	E2	E3	F	G	H
15.75	14.57	26.97	30.22	8.35	9.45	8.35	15.47	16.46	23.54

Mounting and Clearance

Mounting Recommendations

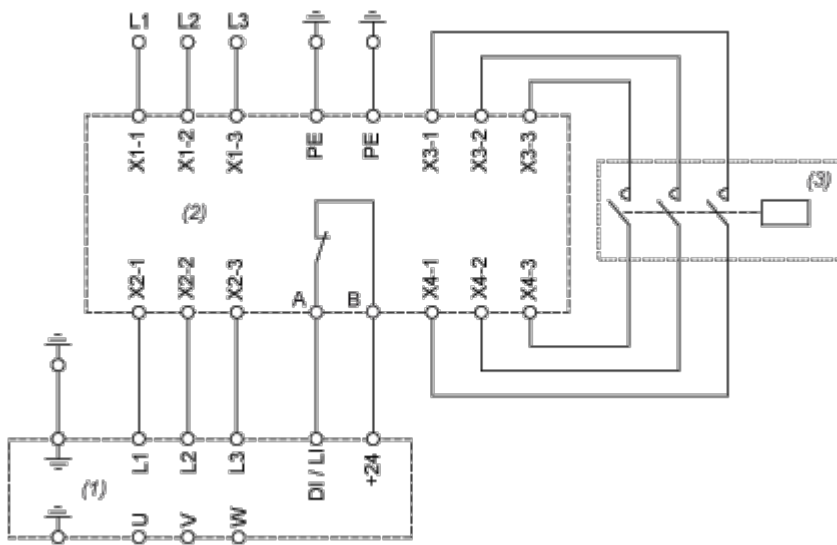
Vertical Mounting Only



(1) Filter

Connections and Schema

Recommended Schema



- (1) Drive
- (2) Filter
- (3) Optional