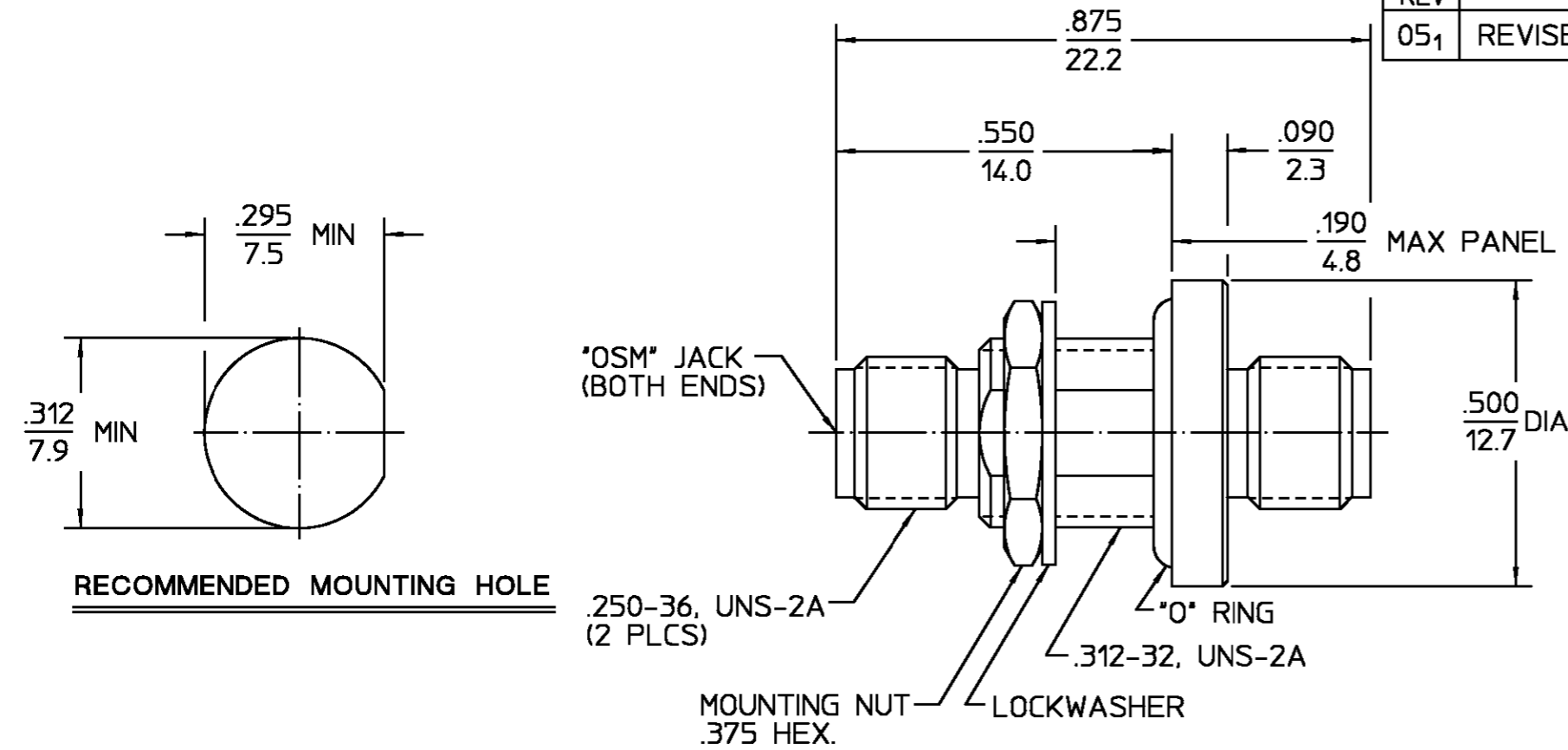


REVISIONS			
REV	DESCRIPTION	DATE	APPROVED
05 ₁	REVISED	4/18/96	<i>PRB</i>



.XXX = in
XX.X = mm

ELECTRICAL	MECHANICAL	ENVIRONMENTAL	HOUSING	DIELECTRIC	CENTER CONTACT	COMPONENT	MATERIAL	FINISH	
Nominal Impedance (Ohms) <u>50</u>	Interface Dimensions MIL-STD-348, Fig. 310.2	Temperature Rating <u>-65°C To 165°C</u>	STAINLESS STEEL PER ASTM-A484 AND ASTM-A582, TYPE 303	PASSIVATE PER QQ-P-35					
Frequency Range (GHz) <u>DC to 12.4</u>	Recommended Mating Torque <u>N/A</u>	Vibration MIL-STD-202, Method 204, Condition D	TFE FLUOROCARBON PER ASTM-D-1457	N/A					
Volt Rating (VRMS MAX) @ Sea Level <u>335</u>	Mating Characteristics: Insertion (MAX Lbs) <u>3.0</u>	Shock MIL-STD-202, Method 213, Condition I	BERYLLIUM COPPER PER ASTM-B-196 OR ASTM-B-197 ALLOY C17300, CONDITION H	GOLD PLATE PER MIL-G-45204					
VSWR <u>1.10 + .015f(GHz)</u>	Withdrawal (MIN Oz) <u>1.0</u>	Thermal Shock MIL-STD-202, Method 107, Condition C							
Insertion Loss (dB MAX) <u>.15 √f @ 6GHz</u>	Force to Engage and Disengage (In/Lbs MAX) <u>2.0</u>	Moisture Resistance MIL-STD-202, Method 106, Except Vibration							
RF Leakage (dB MIN) <u>-(60-f(GHz))</u>	Center Contact Captivation: Axial (Lbs) <u>6.0</u>	Shall Be Omitted 200 Megaohms MIN							
Corona, 70,000 Ft (VRMS MIN) <u>250</u>	Radial (In/Oz) <u>N/A</u>	Corrosion - MIL-STD-202, Method 101, Condition B, 5% salt spray							
Dielectric Withstanding Voltage (VRMS MIN) @ Sea Level <u>1000</u>	Cable Retention: Axial Force (Lbs) <u>N/A</u>								
Contact Resistance (Milliohms MAX): Center Contact <u>8.0</u>	Torque (In/Oz) <u>N/A</u>								
Outer Contact <u>4.0</u>	Weight (Grams) <u>TBD</u>								
Cable to Housing <u>N/A</u>									
RF High Potential @ Sea Level (VRMS MIN @ 5 MHz) <u>670</u>									
I.R.(Megohms MIN) <u>5,000</u>									
			UNLESS OTHERWISE SPECIFIED DIMENSIONS ARE IN INCHES TOLERANCE ON	DRAWN BY BWC DATE 6-2-82		 AMP Incorporated 140 Fourth Avenue Waltham, MA 02451-7599			
			FRAC. DEC. ANGLES	CHECKED BY PRB DATE 11-8-82					
			± 1/64 ±.005 ± °	APPD BY DN DATE 11-8-82					
			These drawings and specifications are the property of M/A-COM Incorporated and shall not be reproduced or copied or used in whole or in part as the basis for the manufacture or sale of items without written permission.	USE ASS'Y PROCEDURE		TITLE "OSM" FEEDTHRU BULKHEAD JACK TO JACK ADAPTER M55339/28-30001			
				NO. AP. <u>N/A</u>		SIZE B	CODE IDENT NO. 26805	2084-8001-92	REV 05 ₁
						SCALE 4:1	SHEET 1 OF 1		

Mouser Electronics

Authorized Distributor

Click to View Pricing, Inventory, Delivery & Lifecycle Information:

[TE Connectivity:](#)

[2084-8001-92](#)