



Connectors > Connector Accessories > Connector Caps & Covers



Connector Cover Type: **Dust Cap**

Primary Product Color: **Black**

Primary Product Material: **PBT**

Number of Positions: **6**

Features

Product Type Features

Connector Cover Type	Dust Cap
----------------------	----------

Configuration Features

Number of Rows	1
Number of Positions	6

Body Features

Primary Product Color	Black
Primary Product Material	PBT

Industry Standards

UL Flammability Rating	UL 94V-0
------------------------	----------

Product Compliance

[For compliance documentation, visit the product page on TE.com>](#)

EU RoHS Directive 2011/65/EU	Compliant
EU ELV Directive 2000/53/EC	Compliant
China RoHS 2 Directive MIIT Order No 32, 2016	No Restricted Materials Above Threshold

EU REACH Regulation (EC) No. 1907/2006

Current ECHA Candidate List: JUNE 2024 (241)

Candidate List Declared Against: JUNE 2024 (241)

Does not contain REACH SVHC

Halogen Content

Not Low Halogen - contains Br or Cl > 900 ppm.

Solder Process Capability

Reflow solder capable to 260°C

Product Compliance Disclaimer

This information is provided based on reasonable inquiry of our suppliers and represents our current actual knowledge based on the information they provided. This information is subject to change. The part numbers that TE has identified as EU RoHS compliant have a maximum concentration of 0.1% by weight in homogenous materials for lead, hexavalent chromium, mercury, PBB, PBDE, DBP, BBP, DEHP, DIBP, and 0.01% for cadmium, or qualify for an exemption to these limits as defined in the Annexes of Directive 2011/65/EU (RoHS2). Finished electrical and electronic equipment products will be CE marked as required by Directive 2011/65/EU. Components may not be CE marked. Additionally, the part numbers that TE has identified as EU ELV compliant have a maximum concentration of 0.1% by weight in homogenous materials for lead, hexavalent chromium, and mercury, and 0.01% for cadmium, or qualify for an exemption to these limits as defined in the Annexes of Directive 2000/53/EC (ELV). Regarding the REACH Regulation, the information TE provides on SVHC in articles for this part number is based on the latest European Chemicals Agency (ECHA) 'Guidance on requirements for substances in articles' posted at this URL: <https://echa.europa.eu/guidance-documents/guidance-on-reach>

Compatible Parts

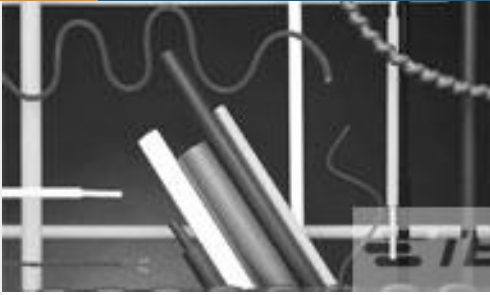


TE Part # 1-1954289-3
Connector, Blade & Recept 6Pos -

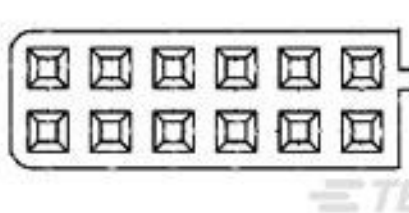
Customers Also Bought



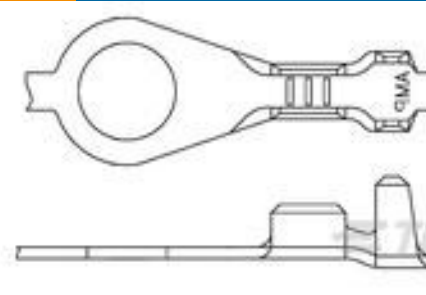
TE Part #444208-1
Timer Connector Housing



TE Part #5069856066
CGPT-9.5/4.8-0-30MM



TE Part #962321-1
2X6P MOD4 BUCHS-GEH



TE Part #880665-2
RING TONGUE



Documents

Product Drawings

[Dust Cap, 6 Posn, Black](#)

English

CAD Files

Customer View Model

[ENG_CVM_CVM_1-2058128-3_B.3d_stp.zip](#)

English

Customer View Model

[ENG_CVM_CVM_1-2058128-3_B.2d_dxf.zip](#)

English

Customer View Model

[ENG_CVM_CVM_1-2058128-3_B.3d_igs.zip](#)

English

[3D PDF](#)

3D

By downloading the CAD file I accept and agree to the [Terms and Conditions](#) of use.

Datasheets & Catalog Pages

[HERMAPHRODITIC_WIRE-TO-BOARD_AND_BOARD-TO-BOARD](#)

[HERMAPHRODITIC_WIRE-TO-BOARD_AND_BOARD-TO-BOARD](#)

English

Product Specifications

[Application Specification](#)

English