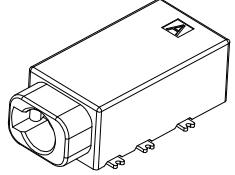
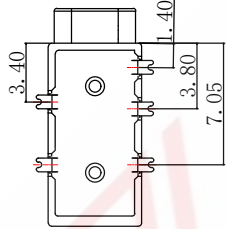
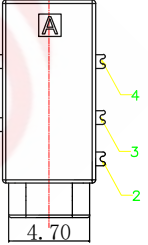
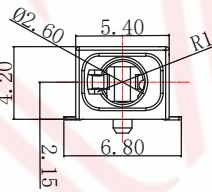
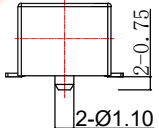
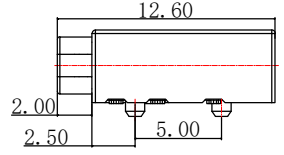
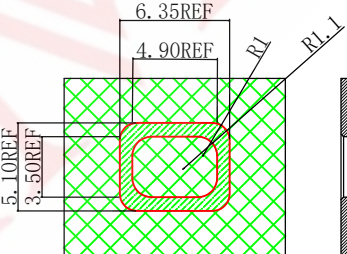
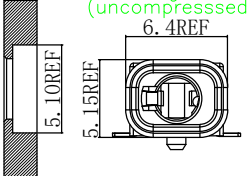
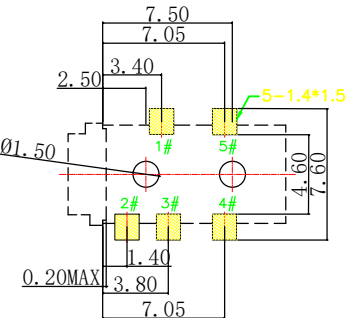
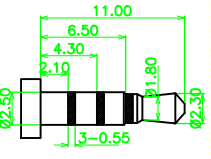
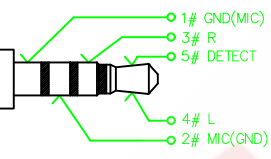
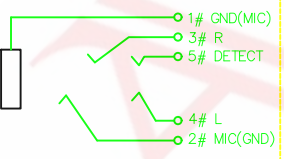
	<table border="1"> <tr> <th>REV</th> <th>ECN NO</th> <th>DESCRIPTION</th> <th>DESIGN</th> <th>APPROVAL</th> <th>DATE</th> </tr> <tr> <td>A1</td> <td>NEW</td> <td>Replace frame</td> <td></td> <td></td> <td>2018.06.12</td> </tr> </table>	REV	ECN NO	DESCRIPTION	DESIGN	APPROVAL	DATE	A1	NEW	Replace frame			2018.06.12																																																																																									
REV	ECN NO	DESCRIPTION	DESIGN	APPROVAL	DATE																																																																																																					
A1	NEW	Replace frame			2018.06.12																																																																																																					
<p><b>NOTES</b></p> <p>1.CURRENT RATING: 1A.  2.CONTACT RESISTANCE: 100mΩ MAX.  3.INSULATION RESISTANCE: 100MΩ MIN.  4.DIELECTRIC WITHSTANDING: 500V AC MIN.  5.DURABILITY: 5000 CYCLES MIN.  6.CONNECTOR MATING FORCES: 3~30N.  7.CONNECTOR UNMATING FORCES: 3~30NX.  8.SALT SPRAY: 24HOUR  9.WATERPROOF LEVEL: IP67.  10.OPERATING TEMPERATURE: -25°C TO +85°C.</p> <p><b>Not to install the waterproof ring shipment</b></p>	 <p>3D VIEW</p>																																																																																																									
<p><b>8X E 5 126 A T A</b></p>																																																																																																										
																																																																																																										
<p><b>MODEL DEFINITION</b></p> <p>Mould Number:01  Fixing Method:Fixing Column  Interface Method:Convention Extended Opening  Overall Length:12.6mm  Pin Position:5PIN  Mounting Method:SMT  Product Series: 2.5mm Audio Jack</p>																																																																																																										
  				<p>面板开孔参考尺寸</p>	<p>O-ring size (uncompressed) 6.4REF</p>	<p>RECOMMENDED P.C.B LAYOUT TOP VIEW (TOLRANCE:±0.05)</p>																																																																																																				
<table border="1"> <thead> <tr> <th>ITEM</th> <th>DESCRIPTION</th> <th>MATERIAL</th> <th>QTY</th> <th>FINISH/COLOR</th> <th colspan="2"></th> <th colspan="2"></th> <th colspan="2">FIRST VIEW</th> <th colspan="2">The copyright belongs to samzo parts [China] Co., Ltd. please use the material after samzo parts agree to authorize. The final right of interpretation belongs to samzo parts. WWW.KKK-JP.COM</th> <th colspan="2">TITLE::</th> </tr> </thead> <tbody> <tr> <td></td> <td></td> <td></td> <td></td> <td></td> <td></td> <td></td> <td></td> <td></td> <td></td> <td></td> <td></td> <td></td> <td></td> <td>2.5mm 5P SMT JCAK IPX7</td> </tr> <tr> <td></td> <td></td> <td></td> <td></td> <td></td> <td></td> <td></td> <td></td> <td></td> <td></td> <td></td> <td></td> <td></td> <td></td> <td>DWG NO: 8XE5126-P03</td> </tr> <tr> <td>D</td> <td>胶水</td> <td>环氧树脂</td> <td>1</td> <td>黑色</td> <td></td> <td></td> <td>≥0~2&lt;</td> <td>±0.15</td> <td>SCALE</td> <td>1:1</td> <td>UNIT</td> <td>mm</td> <td></td> <td>PART NO: 8XE51261503</td> </tr> <tr> <td>C</td> <td>外壳座</td> <td>高温尼龙</td> <td>1</td> <td>黑色</td> <td>DESIGN</td> <td>WANGGUIFA</td> <td>2018.06.12</td> <td>≥2~5&lt;</td> <td>±0.25</td> <td colspan="3" rowspan="3">SAMZO COMPONENTS Electronic switch and connector manufacturer</td> <td colspan="2">MODEL NO: 8XE5126ATA</td> </tr> <tr> <td>B</td> <td>封盖</td> <td>高温尼龙</td> <td>1</td> <td>黑色</td> <td>CHECKED</td> <td>ZHENGUILAN</td> <td>2018.06.12</td> <td>≥0~2&lt;</td> <td>±0.15</td> <td colspan="2">NAME:</td> </tr> <tr> <td>A</td> <td>引脚</td> <td>不锈钢</td> <td>5</td> <td>镀镍/接触区焊位镀金</td> <td>APPROVED</td> <td>LILIANJIANG</td> <td>2018.06.14</td> <td>≥5</td> <td>±0.35</td> <td colspan="2">WATERPROOF SOCKET</td> </tr> </tbody> </table>	ITEM	DESCRIPTION	MATERIAL	QTY	FINISH/COLOR					FIRST VIEW		The copyright belongs to samzo parts [China] Co., Ltd. please use the material after samzo parts agree to authorize. The final right of interpretation belongs to samzo parts. WWW.KKK-JP.COM		TITLE::																2.5mm 5P SMT JCAK IPX7															DWG NO: 8XE5126-P03	D	胶水	环氧树脂	1	黑色			≥0~2<	±0.15	SCALE	1:1	UNIT	mm		PART NO: 8XE51261503	C	外壳座	高温尼龙	1	黑色	DESIGN	WANGGUIFA	2018.06.12	≥2~5<	±0.25	SAMZO COMPONENTS Electronic switch and connector manufacturer			MODEL NO: 8XE5126ATA		B	封盖	高温尼龙	1	黑色	CHECKED	ZHENGUILAN	2018.06.12	≥0~2<	±0.15	NAME:		A	引脚	不锈钢	5	镀镍/接触区焊位镀金	APPROVED	LILIANJIANG	2018.06.14	≥5	±0.35	WATERPROOF SOCKET								
ITEM	DESCRIPTION	MATERIAL	QTY	FINISH/COLOR					FIRST VIEW		The copyright belongs to samzo parts [China] Co., Ltd. please use the material after samzo parts agree to authorize. The final right of interpretation belongs to samzo parts. WWW.KKK-JP.COM		TITLE::																																																																																													
														2.5mm 5P SMT JCAK IPX7																																																																																												
														DWG NO: 8XE5126-P03																																																																																												
D	胶水	环氧树脂	1	黑色			≥0~2<	±0.15	SCALE	1:1	UNIT	mm		PART NO: 8XE51261503																																																																																												
C	外壳座	高温尼龙	1	黑色	DESIGN	WANGGUIFA	2018.06.12	≥2~5<	±0.25	SAMZO COMPONENTS Electronic switch and connector manufacturer			MODEL NO: 8XE5126ATA																																																																																													
B	封盖	高温尼龙	1	黑色	CHECKED	ZHENGUILAN	2018.06.12	≥0~2<	±0.15				NAME:																																																																																													
A	引脚	不锈钢	5	镀镍/接触区焊位镀金	APPROVED	LILIANJIANG	2018.06.14	≥5	±0.35				WATERPROOF SOCKET																																																																																													