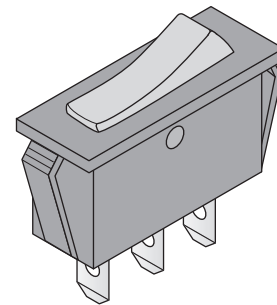
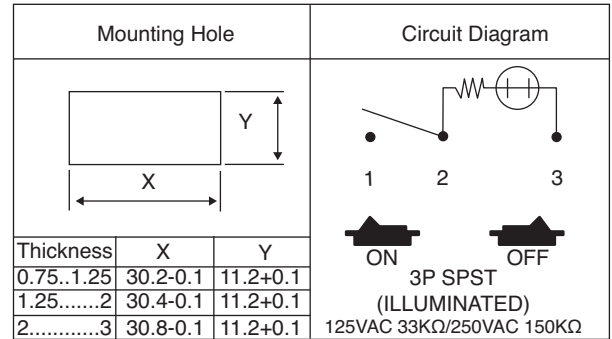
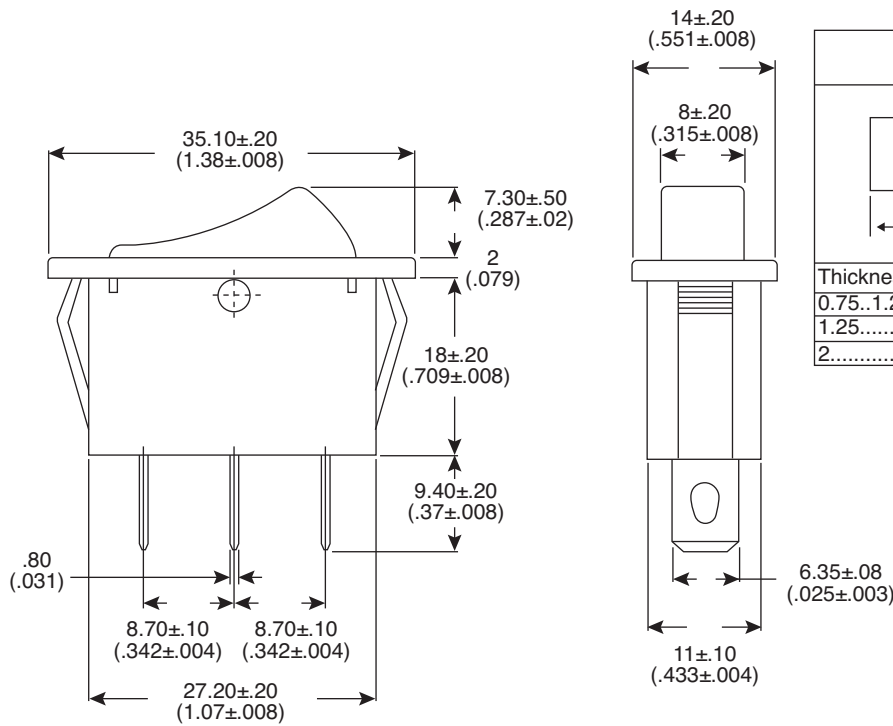


Dimensions: mm (in.)



Mouser Stock No.	Button Color
103-7082-EV	Red
103-7083-EV	Yellow

Electrical Specifications:

- Rating: 30A / 12VDC
16A / 125VAC, 10A / 250 VAC
- Contact Resistance: 50m Ω max.
- Insulation Resistance: 500 VDC 100M Ω min.
- Dielectric Strength: 1500 VAC 1 minute

Mechanical Specifications:

- Neon Lamps: 110VAC

Materials:

- Frame: Nylon #66, Black
- Neon: ϕ 4, NE-2C
- Resistor: 1/8W, 33k Ω

Note:

- RoHS Compliant

Illuminated Rocker Switches
103-7082-EV, 103-7083-EV



Mouser Electronics

Authorized Distributor

Click to View Pricing, Inventory, Delivery & Lifecycle Information:

[Mountain Switch:](#)

[103-7082-EV](#) [103-7083-EV](#)