

PANEL CUT-OUT		
Z	X	Y
0.70~1.25	19.90~20.30	19.4~19.5
1.25~2.00	20.40~20.70	19.4~19.5
2.00~3.00	20.80~21.10	19.4~19.5

NOTES:

1. Rating:

CQC 6A 250V AC T105/55

6(8)A 250VAC

8A/128A 250VAC

cUL 10GPA 250V AC

6GPA 125V AC T105/55

VDE ENEC 6(4)A 250V AC T85/55

KC 6(4)A 250V AC T85/55

2. Circuit Diagram: 3P ON-OFF

3. Terminal Strength: ≥80N

4. Electrical life: ≥10000 cycles

5. Withstand Voltage: Withstand Voltage: 1500VAC 1min

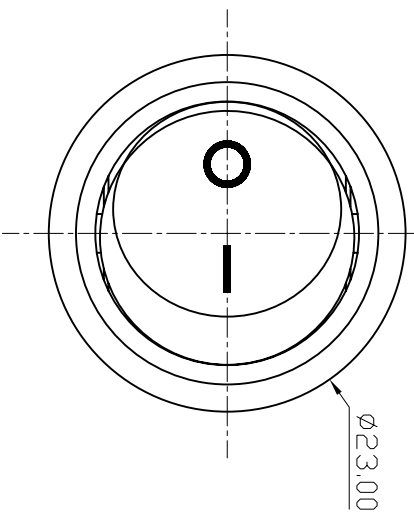
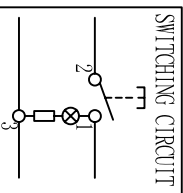
Terminals to Button: 3000VAC 1min

Leakage Current: 1mA

6. Current resistance: ≤50mΩ (initial)

7. Insulation resistance: ≥100MΩ

8. Body Material: NYLON 66 94V-0-2



普通公差:
COMMON TOLERANCE:

A4			
A3			
A2			
A1			
REV.	DATE	REVISION DESCRIPTION	ISSUE

深圳市华灿天禄电子有限公司

单位	mm	投影	Φ	品名	跷板开关	比例	Free
UNIT	mm	PROJECTED	Φ	PRODUCT NAME	跷板开关	SCALE	Free
绘图	周金勇	核对	梁金勇	型号	RS601		
DRAWN BY	周金勇	CHECKED BY	梁金勇	MODEL NO.	RS601		
日期	2015.10.26	核准	周培雷	图号	S601C-101N011RB		
DATE	2015.10.26	APPROVAL BY	周培雷	DWG. NO.	S601C-101N011RB		