

3-520340-2 ✓ ACTIVE

Ultra-Fast | Ultra-Fast 187

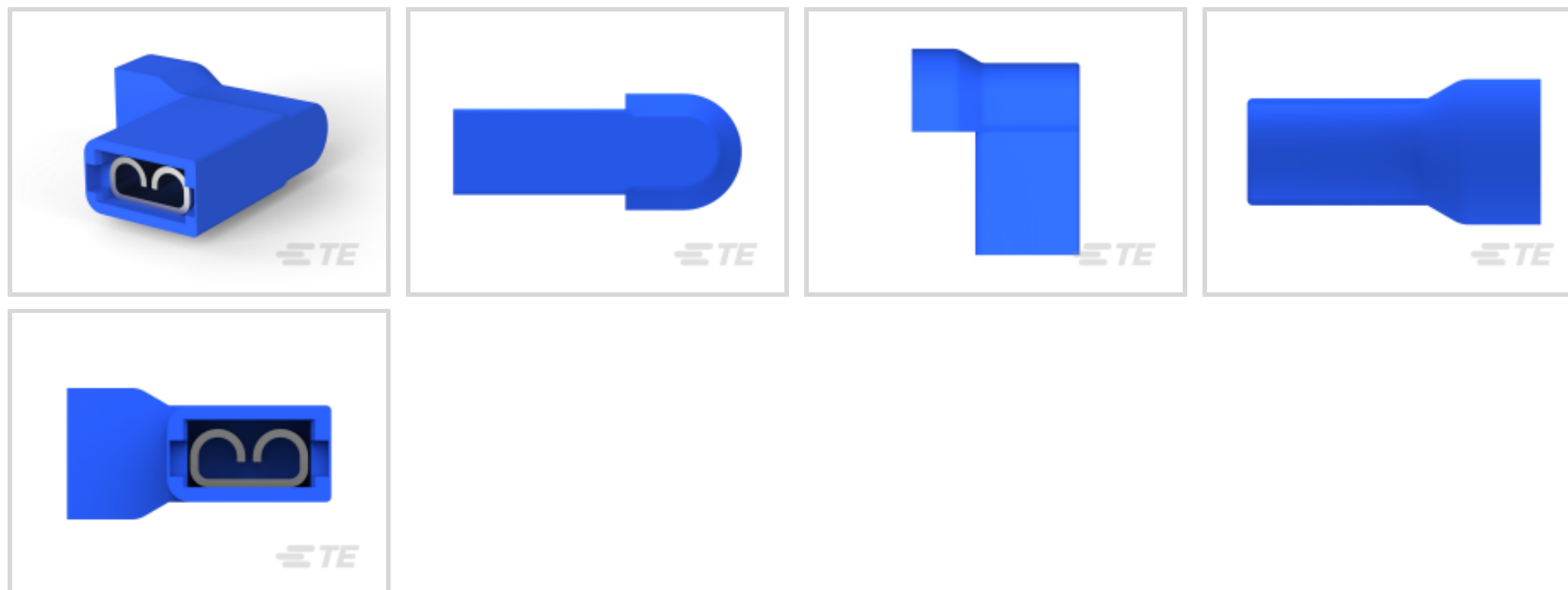
TE Internal #: 3-520340-2

Receptacle, 16 – 14 AWG Wire Size, 1.31 – 2.08 mm² Wire Size,
Mating Tab Width 4.75 mm [.187 in], Flag, Brass, Ultra-Fast 187,
Quick Disconnects

[View on TE.com >](#)



Terminals & Splices > Quick Disconnects



Quick Disconnect Terminal Type: **Receptacle**

Wire Size: 1.31 – 2.08 mm²

Mating Tab Width: 4.75 mm [.187 in]

Mating Tab Thickness: .81 mm [.032 in]

Features

Product Type Features

Insertion Force	Low
-----------------	-----

Configuration Features

Connection Capacity	Single
---------------------	--------

Compatible With Wire & Cable Type	Discrete Wire
-----------------------------------	---------------

Electrical Characteristics

Voltage Rating	600 V
----------------	-------

Body Features

Insulation Material	Nylon
---------------------	-------

Contact Features

Quick Disconnect Terminal Type	Receptacle
--------------------------------	------------

Mating Tab Width	4.75 mm [.187 in]
------------------	-------------------

Mating Tab Thickness	.81 mm [.032 in]
----------------------	------------------

Terminal Orientation	Flag
----------------------	------

Contact Base Material	Brass
-----------------------	-------



Terminal Plating Material	Tin
Crimp Type	F-Crimp
Barrel Type	Closed

Termination Features

Product Terminates To	Wire & Cable
-----------------------	--------------

Mechanical Attachment

Wire Insulation Support	With
Mating Retention Type	Dimple

Dimensions

Terminal Material Thickness	.41 mm[.016 in]
Product Length	13.08 mm[.515 in]
Compatible Insulation Diameter Range	4.7 mm[.185 in]
Wire Size	1.31 – 2.08 mm ²

Usage Conditions

Insulation Option	Fully Insulated
Operating Temperature Range	-40 – 110 °C[-40 – 230 °F]

Industry Standards

Compatible With Agency/Standards Products	UL
UL Flammability Rating	UL 94V-2

Packaging Features

Packaging Quantity	2200
Packaging Method	Strip/Reel

Other

Barrel Color	Blue
--------------	------

Product Compliance

[For compliance documentation, visit the product page on TE.com>](#)

EU RoHS Directive 2011/65/EU	Compliant
EU ELV Directive 2000/53/EC	Compliant
China RoHS 2 Directive MIIT Order No 32, 2016	No Restricted Materials Above Threshold
EU REACH Regulation (EC) No. 1907/2006	Current ECHA Candidate List: JUNE 2024 (241)



Candidate List Declared Against: JUNE 2024 (241)

Does not contain REACH SVHC

Halogen Content

Low Halogen - Br, Cl, F, I < 900 ppm per homogenous material. Also BFR/CFR/PVC Free

Solder Process Capability

Not applicable for solder process capability

Product Compliance Disclaimer

This information is provided based on reasonable inquiry of our suppliers and represents our current actual knowledge based on the information they provided. This information is subject to change. The part numbers that TE has identified as EU RoHS compliant have a maximum concentration of 0.1% by weight in homogenous materials for lead, hexavalent chromium, mercury, PBB, PBDE, DBP, BBP, DEHP, DIBP, and 0.01% for cadmium, or qualify for an exemption to these limits as defined in the Annexes of Directive 2011/65/EU (RoHS2). Finished electrical and electronic equipment products will be CE marked as required by Directive 2011/65/EU. Components may not be CE marked. Additionally, the part numbers that TE has identified as EU ELV compliant have a maximum concentration of 0.1% by weight in homogenous materials for lead, hexavalent chromium, and mercury, and 0.01% for cadmium, or qualify for an exemption to these limits as defined in the Annexes of Directive 2000/53/EC (ELV). Regarding the REACH Regulation, the information TE provides on SVHC in articles for this part number is based on the latest European Chemicals Agency (ECHA) 'Guidance on requirements for substances in articles' posted at this URL: <https://echa.europa.eu/guidance-documents/guidance-on-reach>

Compatible Parts

TE Part # 58628-1
PROCrimp T&D 26-14 ULTRAFast

TE Part # 90391-3
DIE ULTRAFast FASTON 16-14 DIE SET

TE Part # 58628-2
PROCrimp DIESET 26-14 ULTRAFast

TE Part # 2150268-2
OCEAN_2.0 Applicator-E-237D-SEA

KIT
REPRESENTATION ONLY

TE Part # 7-2150268-7
OCEAN_2.0 SPARE_PART_KIT-237D

Also in the Series | **Ultra-Fast 187**



Quick Disconnects(47)

Customers Also Bought



TE Part #640453-2
02P MTA100 HDR ASSY SQ R/A



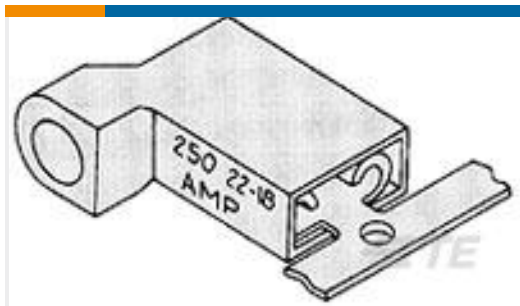
TE Part #5650916-5
ASSY,PIN,EUROCARD,TYPE C/2,LEA



TE Part #3-794680-2
02P MICRO MNL ASSY,VRT,THRU LF



TE Part #4-520447-2
ULTRA-FAST 250 ASY REC 12-10 AWG TPBR



TE Part #3-520132-2
ULTRAFast 250 ASSY FLAG REC 16-14 TPBR



TE Part #63097-1
250 PL MKII REC. 18-14AWG TPBR



TE Part #2-32948-1
PG R 22-16 COMM 22-18 MIL 8



TE Part #2-6450832-5
MBXL R/A HEADER 5P+ 2LP + 24S



TE Part #174429-1
PL 250 HOUSING RECEPTACLE



TE Part #1551920-4
zQSFP+ connector assembly

Documents

Product Drawings

[ULTRA-FAST 187 ASY REC 16-14 AWG TPBR](#)

English

CAD Files

[3D PDF](#)

[3D](#)

[Customer View Model](#)

[ENG_CVM_CVM_3-520340-2_K.2d_dxf.zip](#)



English

Customer View Model

[ENG_CVM_CVM_3-520340-2_K.3d_igs.zip](#)

English

Customer View Model

[ENG_CVM_CVM_3-520340-2_K.3d_stp.zip](#)

English

By downloading the CAD file I accept and agree to the [Terms and Conditions](#) of use.

Datasheets & Catalog Pages

[Ultra-Fast and Ultra Fast Plus](#)

English

Product Specifications

[Application Specification](#)

English

Agency Approvals

[UL](#)

English