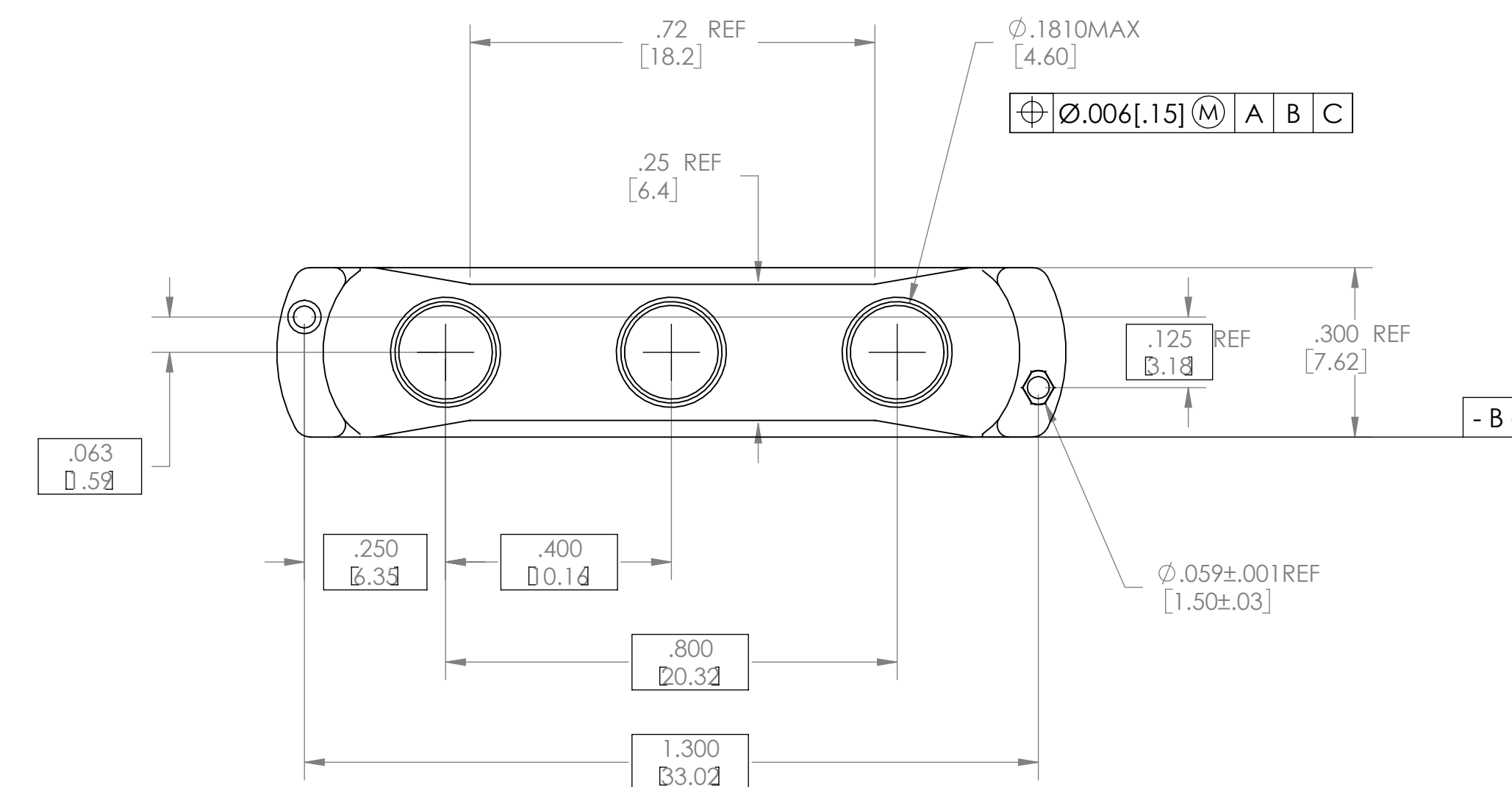
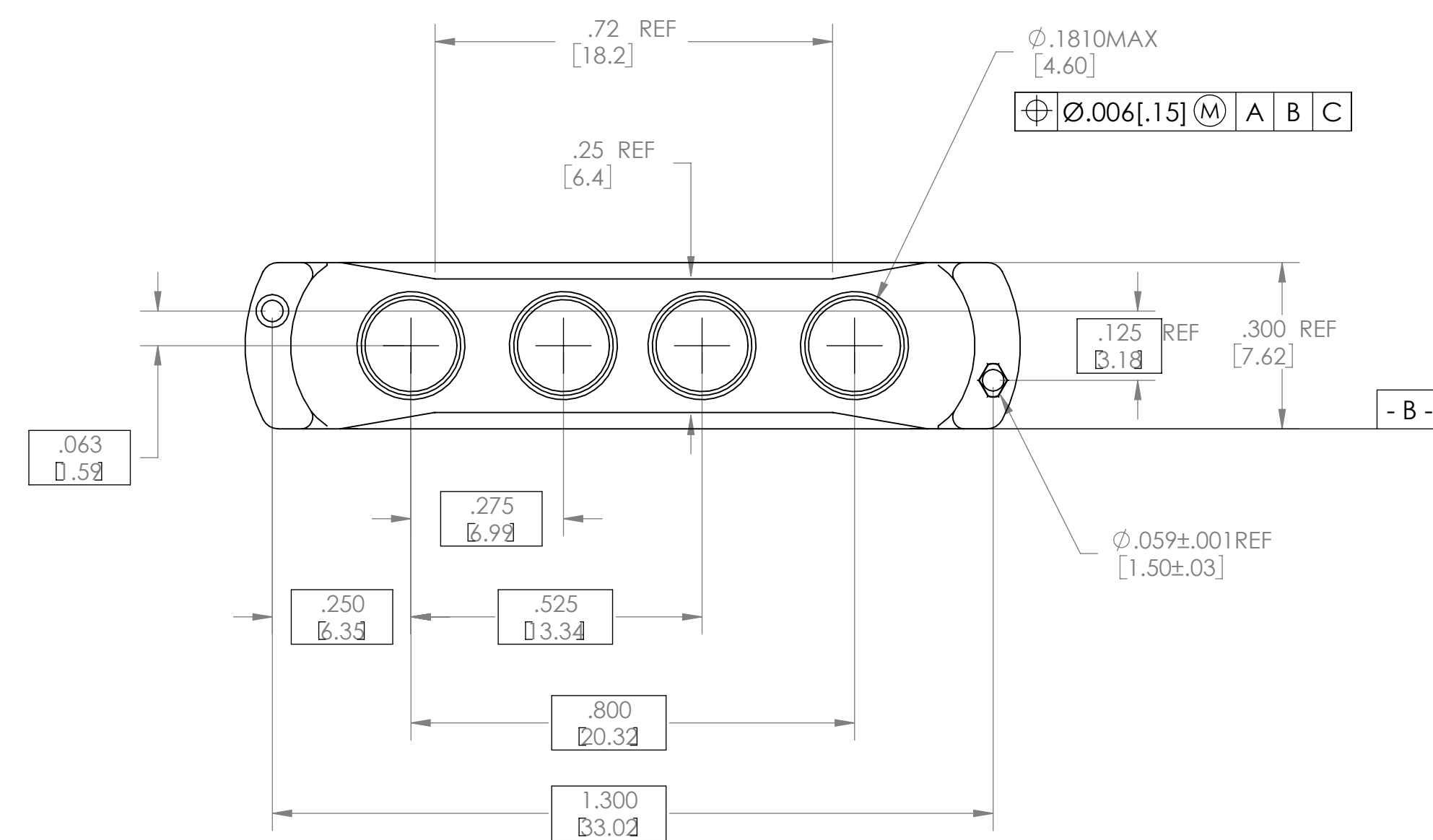
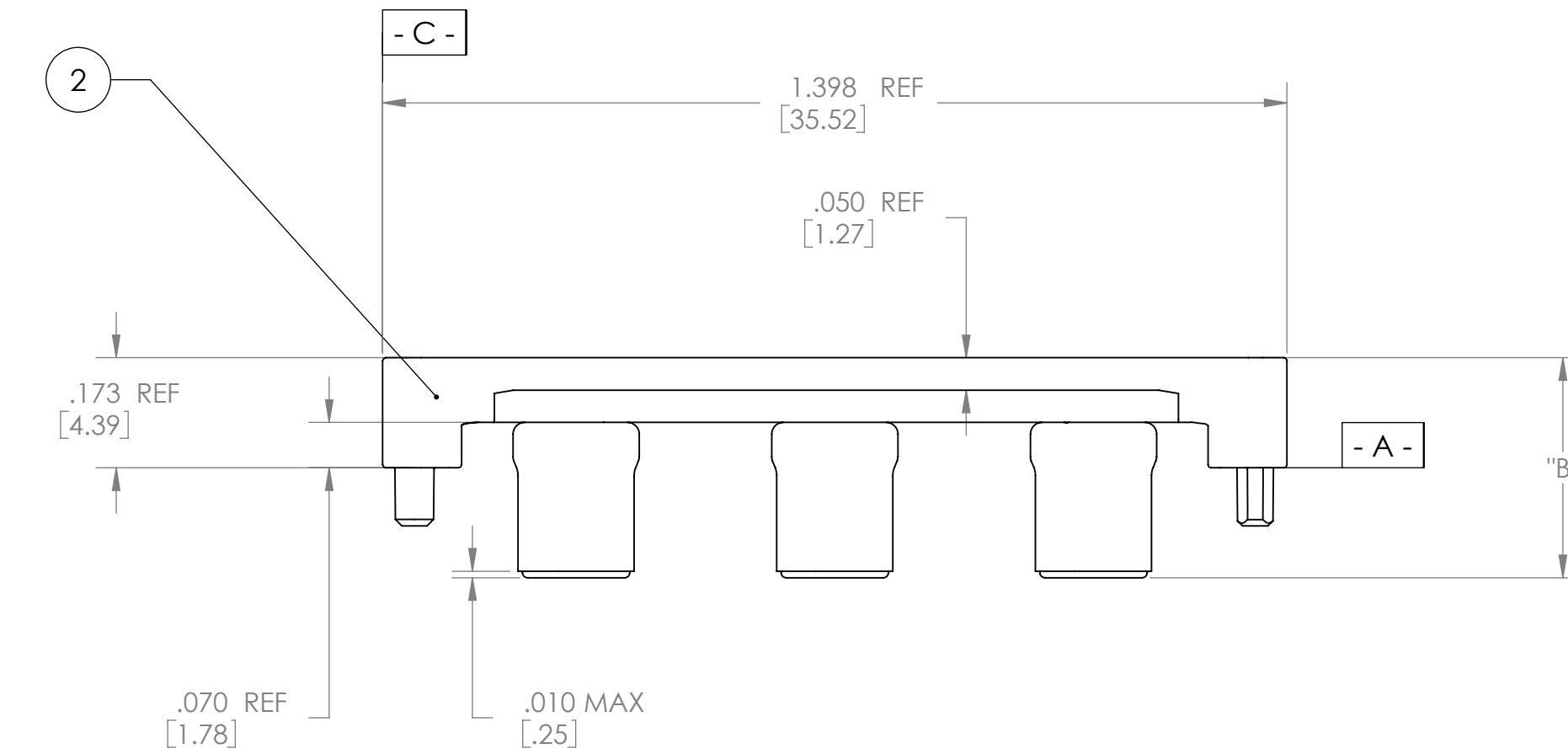
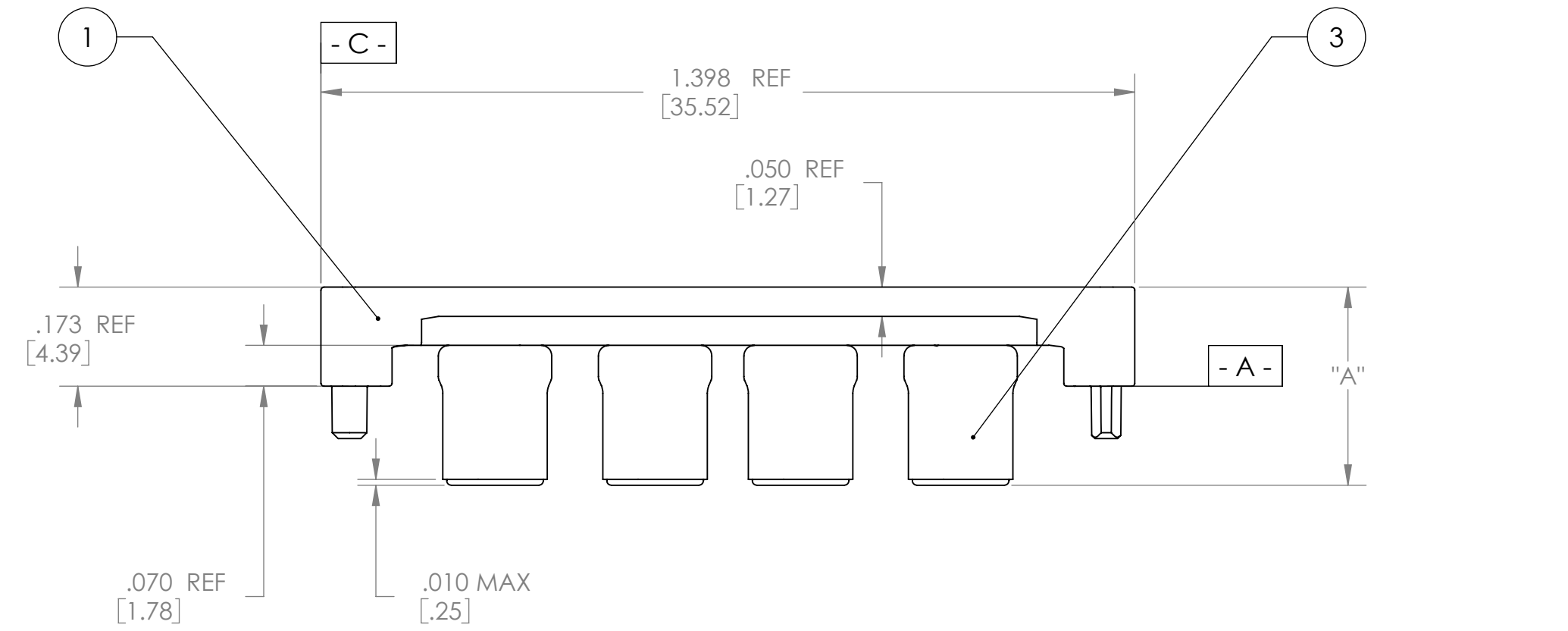
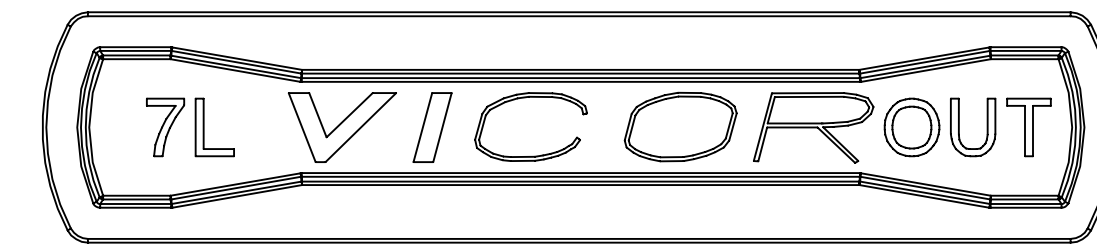
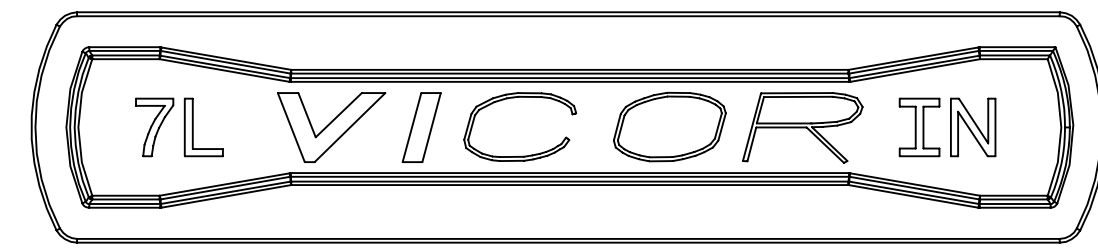


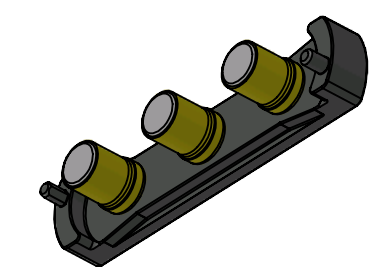
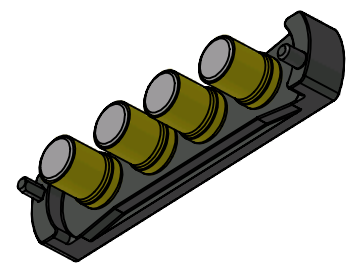
VICOR CONFIDENTIAL
 THIS DOCUMENT AND THE DATA DISCLOSED HEREIN OR
 HEREIN IS NOT TO BE REPRODUCED, USED OR
 DISCLOSED IN ANY MANNER OR IN PART TO ANYONE WITHOUT
 THE PERMISSION OF VICOR CORP.

REV.	DESCRIPTION	DATE	APPROVED
1	RELEASED PER E0230307	PEI 07/11/02	JMR
2	REVISED PER E080070	SA 01/15/08	REJH
3	REVISED PER E091753	JS 09/29/09	REJH
4	REVISED PER E092276	JS 12/30/09	REJH
5	REVISED PER E120065	VSS 01/20/12	KUK



DASH NO.	SOCKET BODY LENGTH INCH/MM	DIA "A" INCH/MM	DIA "B" INCH/MM	INPUT	OUTPUT	KIT #
-01	.100/2.54	.280/7.11	.280/7.11	18380	18392	18372
-02	.135/3.43	.315/8.00	.315/8.00	18381	18393	18373
-03	.160/4.06	.340/8.64	.340/8.64	21540	21545	21512

- NOTE:
 1. MATERIALS: INMATES: PPS RYTON 7
 SOCKETS: BE-CU #25, Au PLATED.
 2. FULLY SEAT SOCKET INTO INMATE HEADER.
 3. ROHS COMPLIANT PER CST-0001 LATEST REVISION.



DRAWN BY LAP NGUYEN	DATE 6/99	VICOR <small>SWD</small>	
UNLESS OTHERWISE SPECIFIED DIMENSIONS ARE: INCH / (MM)		DWG, VI700 INMATE, LN	
TOLERANCES ARE: DECIMALS: ANGLES: XXX (X.X) = +0.01 (0.25) ±1° X.XXX (X.XX) = ±0.005 (0.127)		SIZE D	CAGE CODE 67131
THIRD ANGLE PROJECTION DO NOT SCALE DRAWING		DWG NO. 20029-XX	REV 5
SCALE 4:1		SHEET 1 OF 1	