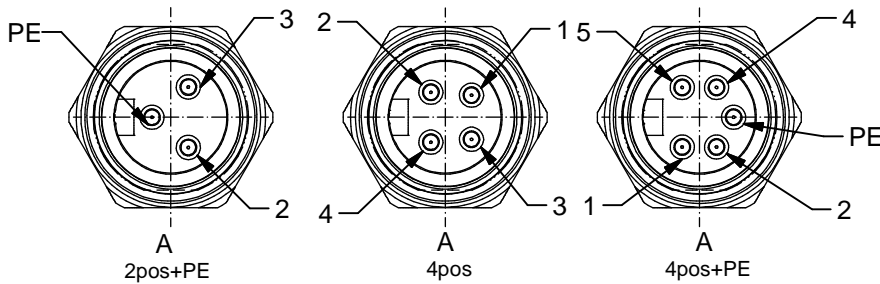
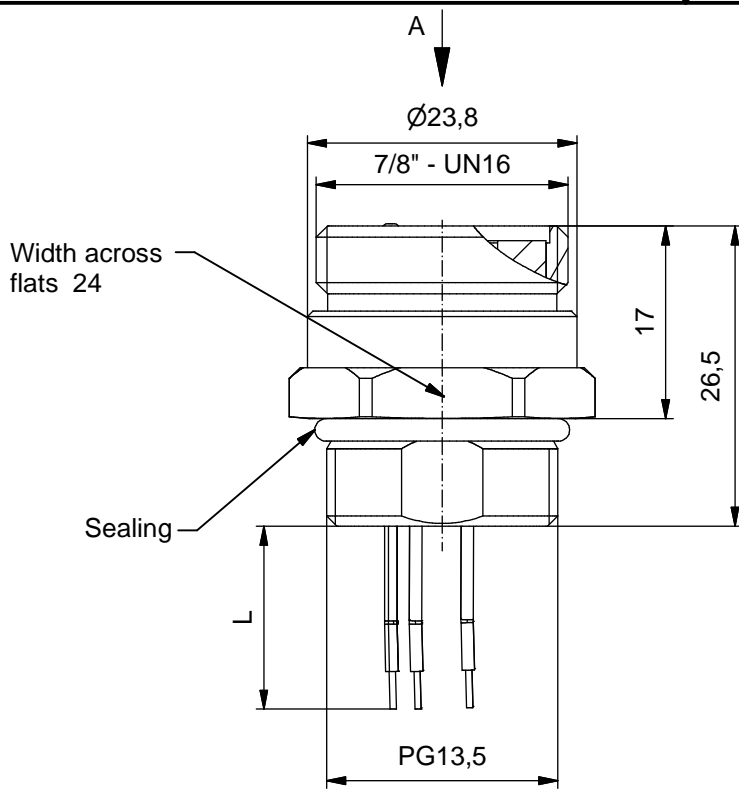


**Technical specification:**

|  |                           |                |
|--|---------------------------|----------------|
| Rated voltage:<br>IEC 60664-1          | 300 V                     |                |
| Overvoltage category:<br>IEC 60664-1   | 2                         |                |
| Overvoltage:<br>IEC 60664-1            | 2,7 kV                    |                |
| Current rating:<br>IEC 60512-3 at 40°C | AWG 18<br>8 A             | AWG 16<br>12 A |
| Insulation resistance:<br>IEC 60512    | >=100 MΩ                  |                |
| Pollution degree:<br>IEC 60664-1       | 3/2                       |                |
| Degree of protection:<br>IEC 60529     | IP 67, in mated condition |                |
| Temperature range:<br>IEC 60664-1      | -30°C ... +75°C           |                |
| Mating cycles:<br>IEC 60512-9a         | >=100                     |                |
| Termination:                           | crimped                   |                |

**Materials:**

|                  |                     |
|------------------|---------------------|
| Contact:         | CuZn                |
| Contact plating: | Nickel, gold plated |
| Contact carrier: | TPU, UL 94          |
| Sealing:         | FPM                 |
| Socket housing:  | CuZn, nickel plated |
| Counternut:      | CuZn, nickel plated |



**Contact assignment:**

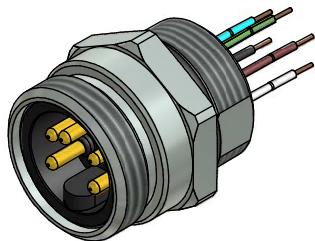
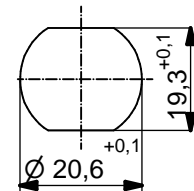
- PE ■ green-yellow
- 2 ■ brown
- 3 ■ blue

**Contact assignment:**

- 1 ■ brown
- 2 ■ white
- 3 ■ blue
- 4 ■ black

**Contact assignment:**

- 1 ■ black
- 2 ■ blue
- PE ■ green-yellow
- 4 ■ brown
- 5 ■ white



| Part no: | Description:                  | Pos | Length L: | Wire:          |
|----------|-------------------------------|-----|-----------|----------------|
| 41-40000 | SAL - 7/8 - FS2PE - 0,5       | 3   | 0,5m      | AWG 18 PVC, UL |
| 41-40001 | SAL - 7/8 - FS4 - 0,5         | 4   | 0,5m      |                |
| 41-40002 | SAL - 7/8 - FS4PE - 0,5       | 5   | 0,5m      |                |
| 41-xxxxx | SAL - 7/8 - FS... - ...       | x   | x         |                |
| 41-40009 | SAL - 7/8 - FS2PE - 0,5 / 150 | 3   | 0,5m      | AWG 16 PVC, UL |
| 41-40010 | SAL - 7/8 - FS4 - 0,5 / 150   | 4   | 0,5m      |                |
| 41-40011 | SAL - 7/8 - FS4PE - 0,5 / 150 | 5   | 0,5m      |                |
| 41-xxxxx | SAL - 7/8 - FS... - ... / 150 | x   | x         |                |

|  |   |  |  |  |      |      |                |       |                |           |
|--|---|--|--|--|------|------|----------------|-------|----------------|-----------|
| DO NOT ALTER CAD DRAWING BY HAND<br>Directive 2002/95/EC RoHS compliant  | Index: d 18.10.11 fro Ä4130<br>Temperatur changed         | dim. in mm   | title:<br><h3 style="margin: 0;">Male socket 7/8" with wires,<br/>frontmounting</h3> |  |      |      |                |       |                |           |
|  | tolerance of wire: L ≤ 0,5m: L + 20mm<br>L > 0,5m: L + 4% | <table border="1" style="width: 100%; border-collapse: collapse;"> <tr> <td style="width: 30px;">date</td> <td style="width: 30px;">name</td> </tr> <tr> <td>drawn 20.02.07</td> <td>Fromm</td> </tr> <tr> <td>appd. 10.08.08</td> <td>W.Schmidt</td> </tr> </table> |  |  | date | name | drawn 20.02.07 | Fromm | appd. 10.08.08 | W.Schmidt |
|  | date  | name   |  |  |      |      |                |       |                |           |
|  | drawn 20.02.07  | Fromm  |  |  |      |      |                |       |                |           |
| appd. 10.08.08   | W.Schmidt   |  |  |  |      |      |                |       |                |           |
| general tolerance: 0 ± 0,50mm<br>0,0 ± 0,25mm<br>0,00 ± 0,10mm   |   |  |  |  |      |      |                |       |                |           |
| THIS DRAWING MAY NOT BE COPIED OR REPRODUCED IN ANY WAY, AND MAY NOT BE PASSED ON TO A THIRD PARTY WITHOUT WRITTEN PERMISSION. OWNERSHIP AND COPYRIGHT OF CONEC GmbH |   |  | part no:   |  |      |      |                |       |                |           |