

# C2/C3 - SERIES

SPECIFICATIONS AND ORDERING INFORMATION

0.82 / 1.2" WIDE 0.25 AMP @ 28 VDC

The C2/C3 Series offers an 8 position and a 12 position vertical P.C. board mountable design. Standard designs utilize a 30° index angle and polyester insulation.



## SPECIFICATIONS

### ELECTRICAL

**Current and Voltage Rating:** Make and break resistive load  
0.25 amp @ 28 VDC; 0.1 amp @ 125 VAC.  
**Current Carrying Capacity:** 6 amps.  
**Dielectric Strength:** 1,000 VAC between current carrying parts and ground.  
**Contact Resistance:** Average initial 30 milliohms.  
**Insulation Resistance:** In excess of 10,000 megohms.

**Hardware:** Mounting nut and lockwasher are shipped assembled.

### MECHANICAL

**Materials and Finishes:** All parts utilize non-corrosive materials as standard.  
**Terminals and Contacts:** Brass with silver plate as standard.  
**Insulation:** Polyester.  
**Index:** Dual-ball, hill and valley.  
**Index Life:** 25,000 cycles minimum.  
**Index Torque:** Switches have lowest practical torque consistent with crisp detenting and smooth, reliable operation.  
**Index Angles:** Positive 30° standard, 60°, and 90° available.  
**Index Stops:** Fixed standard, adjustable, or continuous available.  
**Stop Strength:** 8 in. lbs. minimum.

## STANDARD PART NUMBER

### C2 - 8 PIN CONSTRUCTION

SWITCHES - 30° INDEXING

ADJUSTABLE STOPS SET @ 2 POS. - P.C. TERMINALS

POLES	ACTIVE POSITIONS	POLES/ DECK	NO. OF DECKS	SHORTING	NON-SHORTING	FIG. *
01	02-08	1	1	C2P0108S - A	C2P0108N - A	CD
02	02-08	1	2	C2P0208S - A	C2P0208N - A	CD
02	02-04	2	1	C2P0204S - A	C2P0204N - A	CI
03	02-08	1	3	C2P0308S - A	C2P0308N - A	CD
04	02-04	2	2	C2P0404S - A	C2P0404N - A	CI
04	02-08	1	4	C2P0408S - A	C2P0408N - A	CD
05	02-08	1	5	C2P0508S - A	C2P0508N - A	CD
06	02-04	2	3	C2P0604S - A	C2P0604N - A	CI

### C3 - 12 PIN CONSTRUCTION

SWITCHES - 30° INDEXING

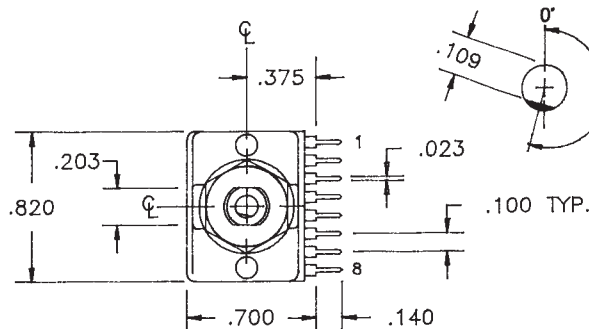
ADJUSTABLE STOPS SET @ 2 POS. - P.C. TERMINALS

POLES	ACTIVE POSITIONS	POLES/ DECK	NO. OF DECKS	SHORTING	NON-SHORTING	FIG. *
01	02-12	1	1	C3P0112S - A	C3P0112N - A	CA
02	02-12	1	2	C3P0212S - A	C3P0212N - A	CA
02	02-06	2	1	C3P0206S - A	C3P0206N - A	CH
03	02-04	3	1	C3P0304S - A	C3P0304N - A	CK
03	02-12	1	3	C3P0312S - A	C3P0312N - A	CA
04	02-06	2	2	C3P0406S - A	C3P0406N - A	CH
04	02-12	1	4	C3P0412S - A	C3P0412N - A	CA
06	02-04	3	2	C3P0604S - A	C3P0604N - A	CK

\* FIGURES ARE SHOWN ON PAGE 55.

## C2 - DIMENSIONS - 8 PIN DESIGN

### C2P - STANDARD 8-PIN PER DECK ARRANGEMENT



#### NOTE:

- ONE DECK EQUALS TWO WAFERS.
- ADD .300" FOR EACH ADDITIONAL DECK.

1/4" DIAMETER SHAFTS ARE AVAILABLE.  
CONTACT FACTORY.



A

## How to Order Additional Options:

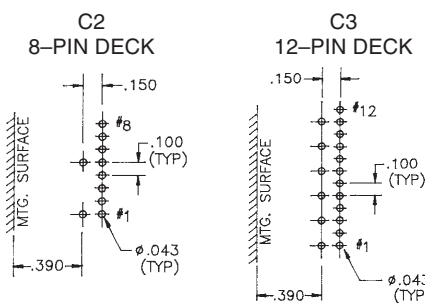
2 DIGIT SERIES	INSULATION TYPE	TOTAL POLES	ACTIVE POSITIONS	CONTACT TYPE	TERMINAL TYPE	INDEX ANGLE	STOP TYPE	SHAFT/ BUSHING	SHAFT FLAT
C2	P-POLYESTER	01 - MIN.	08 - MAX @ 30° 04 - MAX @ 60° 03 - MAX @ 90°	N - NON SHORTING S - SHORTING		30° 60° 90°	F - FIXED C - CONT. A - ADJ.	SEE CHART "A"	SEE CHART "B"
C3	P-POLYESTER	01 - MIN.	12 - MAX @ 30° 06 - MAX @ 60° 04 - MAX @ 90°	N - NON SHORTING S - SHORTING					

CUSTOMERS SPECIFIED ORDER NUMBER FOR STANDARD OPTIONS				ADDITIONAL OPTIONS			
<input type="text"/>	<input type="text"/>	<input type="text"/>	<input type="text"/>	<input type="text"/>	<input type="text"/>	<input type="text"/>	<input type="text"/>
	<b>P</b>	(SPECIFY)	(SPECIFY)	(SPECIFY)	(SPECIFY)	(SPECIFY)	(SPECIFY)

C

### PRINTED CIRCUIT BOARD PATTERN



- NOTES:**
- The **standard** spacing for the 1/8" dia. shaft from the first row of terminals to the mounting surface is .390 in.
  - The **standard** spacing for the 1/4" dia. shaft from the first row of terminals to the mounting surface is .481 in.

### SHAFT AND FLAT OPTIONS

P/N OPT	Shaft Lgth
01	1/4
02	3/8
03	1/2
04	9/16
05	3/4
06	7/8
07	1

P/N OPT	Shaft Lgth
08	1/4
09	3/8
10	1/2
11	9/16
12	3/4
13	7/8
14	1

P/N OPT.	FLAT ANGLE
U	15°
W	165°
Y	195°
Z	345°

SHAFT AS VIEWED WITH NON-TURN LUG AT 9 O'CLOCK AND SHAFT IN EXTREME CCW POSITION AND STRUT BOLTS ORIENTED VERTICALLY.

### C3 - DIMENSIONS - 12 PIN DESIGN



CUSTOM SWITCHES ARE AVAILABLE. CONTACT THE FACTORY WITH YOUR COMPLETE SPECIFICATIONS.

# Mouser Electronics

Authorized Distributor

Click to View Pricing, Inventory, Delivery & Lifecycle Information:

## Electroswitch:

[C3P0206N-A](#) [C3P0212N-A](#) [C3P0112N-A](#) [C3P0304N-A](#) [C3P0406N-A](#) [C3P0604N-A](#) [C3P0206S-A](#) [C2P0404N-A](#)  
[C3P0212S-A](#) [C2P0508S-A](#) [C3P0412N-A](#) [C2P0108N-A](#) [C2P0208N-A](#) [C3P0406S-A](#) [C2P0408S-A](#) [C3P0112S-A](#)  
[C2P0408N-A](#) [C3P0312N-A](#) [C2P0308N-A](#) [C2P0308S-A](#) [C3P0412S-A](#) [C3P0312S-A](#) [C3P0604S-A](#) [C2P0108S-A](#)  
[C3P0304S-A](#) [C2P0204S-A](#) [C3P0112S-9318](#)