

SUBCON-PLUS-CAN/90X/M12 - D-SUB bus connector



2902731

<https://www.phoenixcontact.com/us/products/2902731>

Please be informed that the data shown in this PDF document is generated from our online catalog. Please find the complete data in the user documentation. Our general terms of use for downloads are valid.

D-SUB connector, 9-pos., socket, assignment: 2, 3, 5, 7, 9; two M12 cable entries (A-coded) under 90°. Bus system: CAN, CANopen®. Termination resistor via separate M12 terminator.



Product description

The SUBCON-PLUS fast connectors with M12 connection ensure error-free installation of bus systems, thanks to the use of fully-tested components such as cables and connectors. The innovative housing concept is lightweight yet offers optimum mechanical protection against environmental influences. This means that the fast connection plugs are ideal, even in applications subject to vibration. The unique SPEEDCON fast locking system on the M12 connections offers reliable connection with just half a turn.

Your advantages

- Easy startup, plug and play
- Error-free installation, particularly in standard machine production
- Quick connection thanks to M12-SPEEDCON fast locking system
- Low weight
- CANopen®
- Termination using M12 termination resistor
- Adapter between IP20 and IP67 environments
- Through-contacted shielding from M12 to D-SUB

Commercial data

Item number	2902731
Packing unit	1 pc
Minimum order quantity	1 pc
Sales key	DN10
Product key	DNC541
Catalog page	Page 444 (C-6-2019)
GTIN	4046356672559
Weight per piece (including packing)	72.4 g
Weight per piece (excluding packing)	72.4 g
Customs tariff number	85366990
Country of origin	CN

Technical data

Notes

Note on application

Note on application	Only for industrial use
---------------------	-------------------------

Product properties

Product type	Data plug
MTTF	6706 Years (SN 29500 standard, temperature 25°C, operating cycle 21%)
	1817 Years (SN 29500 standard, temperature 40°C, operating cycle 34.25%)
	155 Years (SN 29500 standard, temperature 40°C, operating cycle 100%)
Pin assignment	2, 3, 5, 7, 9

Data management status

Article revision	03
------------------	----

Electrical properties

Nominal voltage U_N	5 V
Nominal current I_N	100 mA

Connection data

Tightening torque	... 0.4 Nm
-------------------	------------

D-SUB connection

Connection method	D-SUB socket
-------------------	--------------

M12 connector

Connection method	M12 male, A-coded
-------------------	-------------------

M12 connector

Connection method	M12 female, A-coded
-------------------	---------------------

Interfaces

Bus system	CAN, CANopen, SafetyBus-P
Signal	CAN
	CANopen®

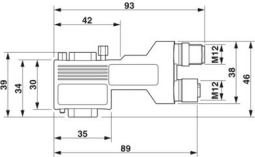
Dimensions

SUBCON-PLUS-CAN/90X/M12 - D-SUB bus connector



2902731

<https://www.phoenixcontact.com/us/products/2902731>

Dimensional drawing	
Width	16 mm
Height	41 mm
Length	93 mm

Material specifications

Material (Housing)	Polyamide
--------------------	-----------

Environmental and real-life conditions

Ambient conditions

Degree of protection	IP40
Ambient temperature (operation)	-30 °C ... 80 °C
Ambient temperature (storage/transport)	-40 °C ... 85 °C
Ambient temperature (assembly)	-20 °C ... 80 °C
Altitude	≤ 5000 m (For restrictions, see the manufacturer's declaration for altitude operation)
Permissible humidity (operation)	10 % ... 95 % (non-condensing)
Permissible humidity (storage/transport)	5 % ... 95 % (non-condensing)

Standards and regulations

Free from substances that could impair the application of coating	VDMA 24364:2018-05
---	--------------------

SUBCON-PLUS-CAN/90X/M12 - D-SUB bus connector

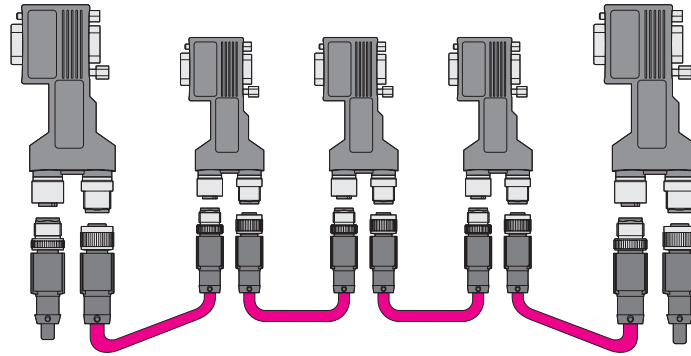


2902731

<https://www.phoenixcontact.com/us/products/2902731>

Drawings

Application drawing



Bus/Line structure

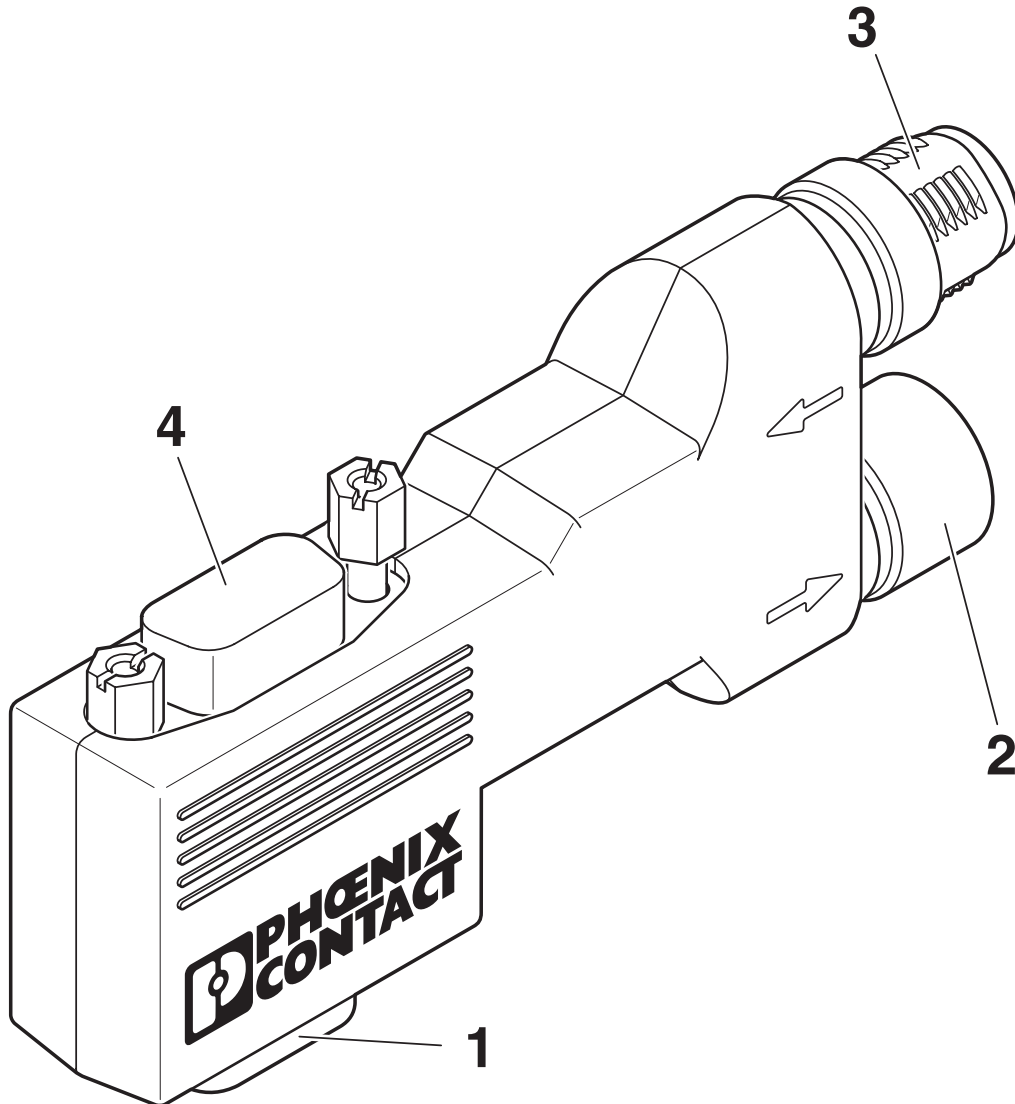
SUBCON-PLUS-CAN/90X/M12 - D-SUB bus connector



2902731

<https://www.phoenixcontact.com/us/products/2902731>

Schematic diagram



Function elements

1 = D-SUB 9

2 = Outgoing M12 connection

3 = Incoming M12 connection

4 = D-SUB PG connection (depending on the version)

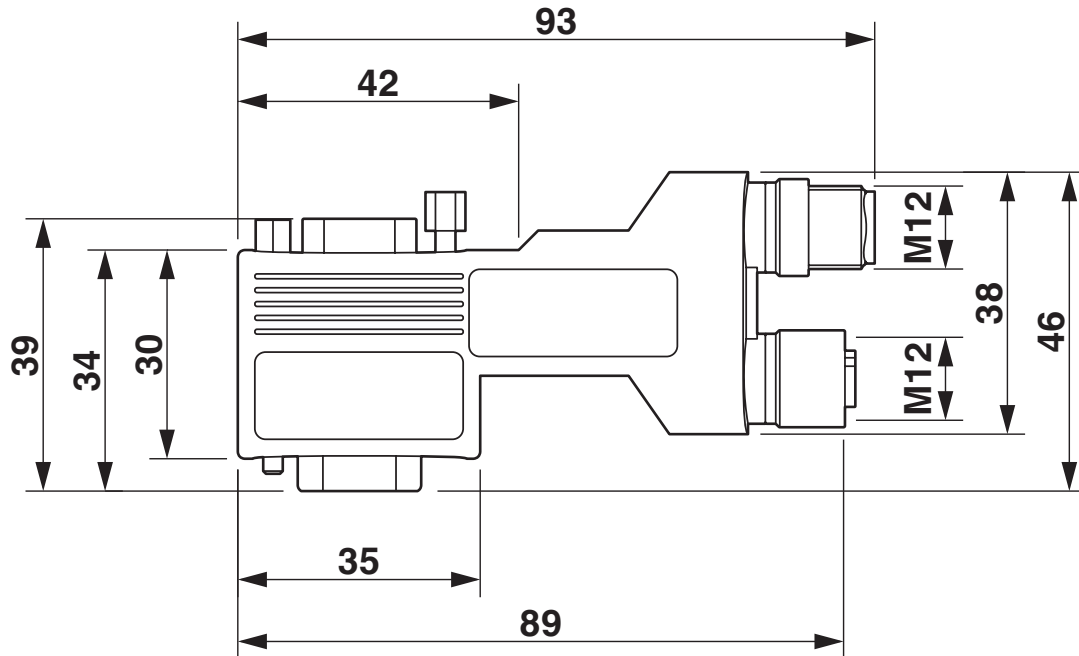
SUBCON-PLUS-CAN/90X/M12 - D-SUB bus connector



2902731

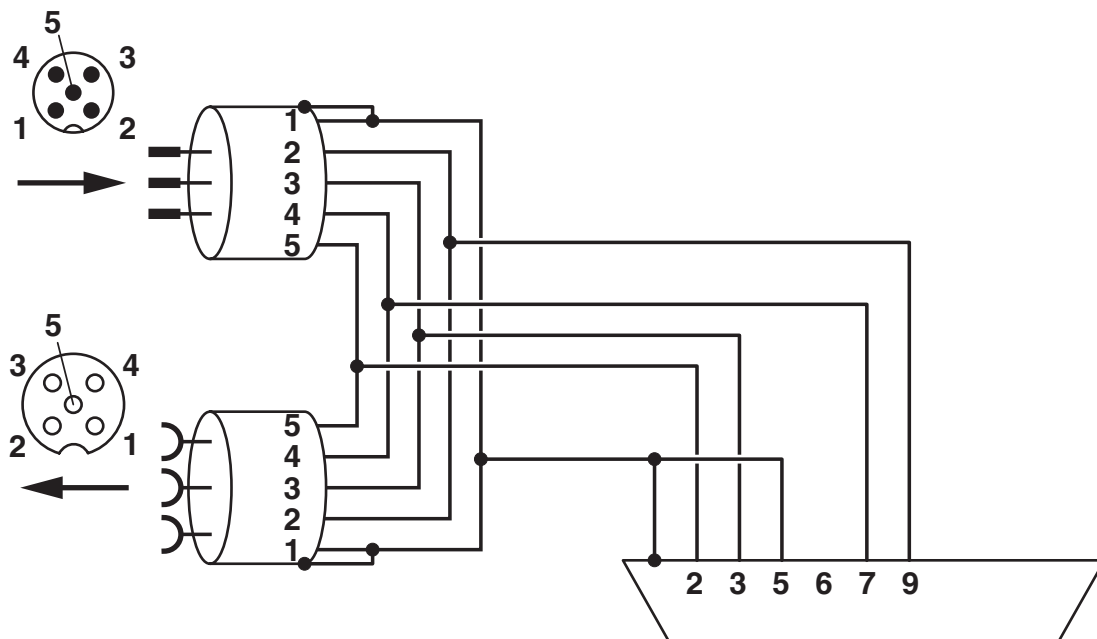
<https://www.phoenixcontact.com/us/products/2902731>

Dimensional drawing



SUBCON-PLUS...90X...M12 dimensional drawing, long 90° version

Block diagram



SUBCON-PLUS-CAN/...M12 function block diagram

SUBCON-PLUS-CAN/90X/M12 - D-SUB bus connector



2902731

<https://www.phoenixcontact.com/us/products/2902731>

Approvals

To download certificates, visit the product detail page: <https://www.phoenixcontact.com/us/products/2902731>



cUL Recognized
Approval ID: E238705



UL Recognized
Approval ID: E238705

cULus Recognized

SUBCON-PLUS-CAN/90X/M12 - D-SUB bus connector



2902731

<https://www.phoenixcontact.com/us/products/2902731>

Classifications

ECLASS

ECLASS-11.0	27440302
ECLASS-13.0	27440302
ECLASS-12.0	27440302

ETIM

ETIM 9.0	EC001132
----------	----------

UNSPSC

UNSPSC 21.0	39121400
-------------	----------

2902731

<https://www.phoenixcontact.com/us/products/2902731>

Environmental product compliance

EU RoHS

Fulfills EU RoHS substance requirements	Yes
Exemption	6(c)

China RoHS

Environment friendly use period (EFUP)	EFUP-50
	An article-related China RoHS declaration table can be found in the download area for the respective article under "Manufacturer declaration". For all articles with EFUP-E, no China RoHS declaration table issued and required.

EU REACH SVHC

REACH candidate substance (CAS No.)	Lead(CAS: 7439-92-1)
SCIP	b3a02f99-57ab-479d-950f-5c3de0ec10ce

Phoenix Contact 2024 © - all rights reserved
<https://www.phoenixcontact.com>

Phoenix Contact USA
586 Fulling Mill Road
Middletown, PA 17057, United States
(+717) 944-1300
info@phoenixcon.com