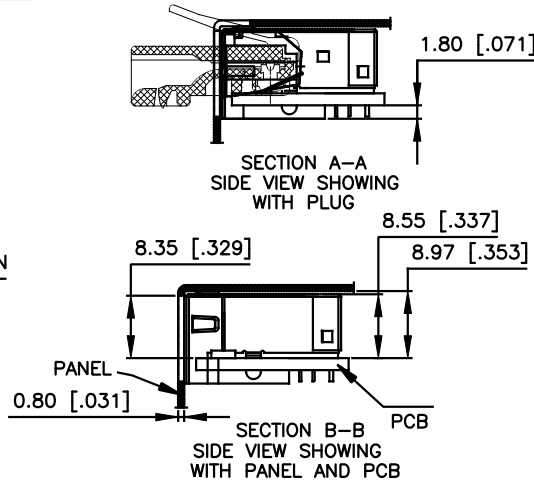
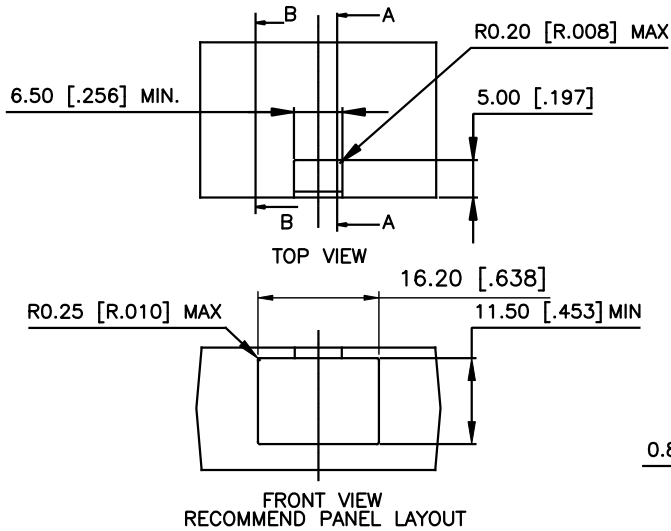


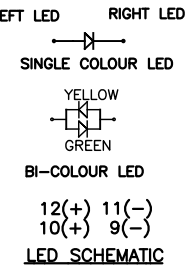
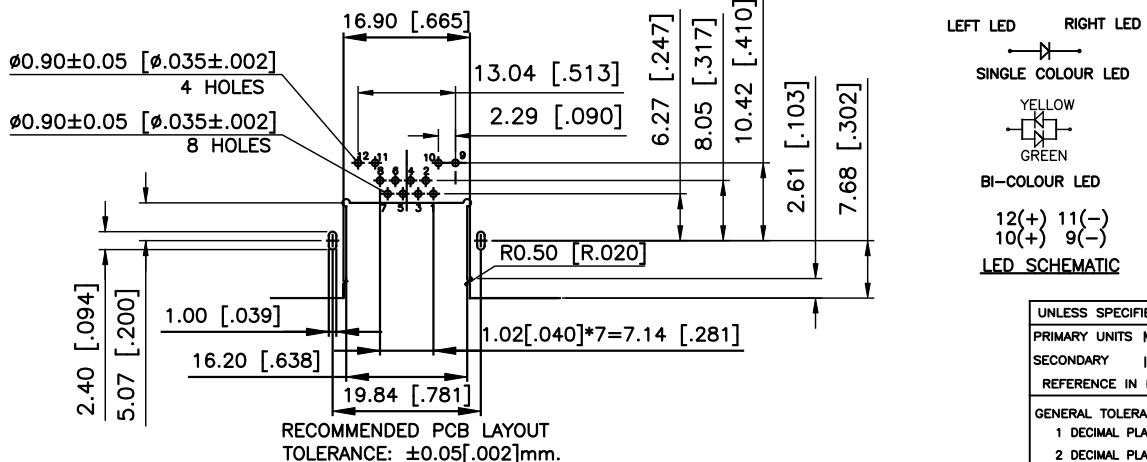
REVISIONS			
REV	DESCRIPTION, ECN, EAR NO.	DATE	APP'D
E	CHANGE SHELL SHAPE ON THE TOP FACE	MAR06,2015	L.CHAN
F	UPDATE LED SCHEMATIC	DEC17,2015	L.CHAN

- NOTES:  
ELECTRICAL:
- VOLTAGE RATING : 125 VAC.
  - CURRENT RATING : 1.25 AMP.
  - INSULATING RESISTANCE : 500 MEGOHMS MINIMUM.
  - DIELECTRIC STRENGTH : 1000 VAC 60HZ, 1MIN.
  - CATEGORY 6 CHARACTERISTIC:

Frequency MHz	Near-End Crosstalk dB, MIN.	Return Loss dB, MIN.	Insertion loss dB, MAX.
1.0	75.0	30.0	0.1
4.0	75.0	30.0	0.1
8.0	75.0	30.0	0.1
10.0	74.0	30.0	0.1
16.0	69.9	30.0	0.1
20.0	68.0	30.0	0.1
25.0	66.0	30.0	0.1
31.25	64.1	30.0	0.11
62.5	58.1	28.1	0.16
100.0	54.0	24.0	0.20
200.0	48.0	18.0	0.28
250.0	46.0	16.0	0.32



- MECHANICAL:
- SHIELD : STAINLESS STEEL, WITH TIN-DIP ON SOLDER TABS.
  - HOUSING : HIGH TEMP THERMOPLASTIC. UL 94V-0.
  - INSERT : HIGH TEMP THERMOPLASTIC UL 94V-0.
  - PCB : FR-4.
  - CONTACT : PHOSPHOR BRONZE. SELECTIVE GOLD PLATING FOR MATING SURFACE, SEE AMPHENOL PART NUMBER FOR DETAIL. 50u" NICKEL UNDERPLATE 100u" MATTE TIN PLATING ON CONTACT SOLDER TAIL.
- ENVIRONMENTAL:
- STORAGE : -40° TO +85°.
  - OPERATION : -40° TO +85°.
- MATES WITH MODULAR PLUG CONFORMING TO TIA 1096.  
RECOMMENDED SOLDER PROCESS: WAVE SOLDER, PEAK TEMPERATURE 260° FOR 5 SECOND MAXIMUM.



- AMPHENOL PART NUMBER: RJE71-188-1XXX
- GOLD PLATING OPTION \_\_\_\_\_
- 1=6u" [0.15 MICRONS] GOLD PLATING
- 2=15u" [0.38 MICRONS] GOLD PLATING
- 3=30u" [0.76 MICRONS] GOLD PLATING
- 4=50u" [1.27 MICRONS] GOLD PLATING
- \_\_\_\_\_ OPTIONS (SEE BELOW TABLE 1) REFER TO LED OPTIONS DRAWING FOR ORDERING CODES

TABLE 1

Part Number	Dimension 1	Dimension 2
RJE711881XX1	3.18 [0.125]	2.36 [0.093]
RJE711881XX2	2.27 [0.089]	1.57 [0.062]
RJE711881XX3	2.16 [0.085]	1.57 [0.062]

AMPHENOL P/N: DIM A RECOMMEND PCB THICKNESS \_\_\_\_\_

UNLESS SPECIFIED OTHERWISE	DRAWN HUGH WANG JULY 17,2012
PRIMARY UNITS MILLIMETERS	CHECKED L.CHAN JULY 17,2012
SECONDARY INCHES	M.E. APP'D _____
REFERENCE IN PARENTHESES	Q.A. APP'D _____
GENERAL TOLERANCES FOR MM	DWG APP'D ADRIAN.G JULY 17,2012
1 DECIMAL PLACE ±0.50	ENG. REL. NO. _____
2 DECIMAL PLACE ±0.30	REF. _____
3 DECIMAL PLACE ±0.10	
ANGULAR DEGREES ±3°	

Amphenol Canada Corp.  
www.amphenolcanada.com

MODULAR JACK, SINGLE PORT, 8 POSITIONS, 8 CONTACTS, SHIELDED WITH TOP & SIDE TABS, WITH LED, SINK PCB TYPE, TAB UP, CAT6

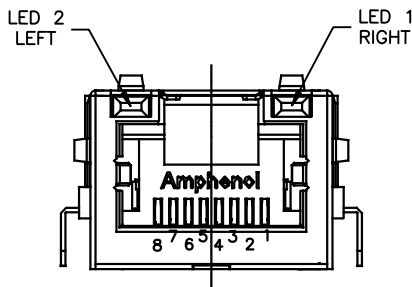
DWG NO. P-RJE71-188-1XXX REV F

CODE ID NO. 03554 DWG SIZE: C SCALE: N/A SHEET 1 OF 2

THIS DOCUMENT CONTAINS PROPRIETARY INFORMATION AND SUCH INFORMATION MAY NOT BE DISCLOSED TO OTHERS FOR ANY PURPOSE OR USED FOR MANUFACTURING PURPOSES WITHOUT WRITTEN PERMISSION FROM AMPHENOL CANADA CORP.

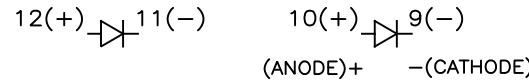
REVISIONS			
REV	DESCRIPTION, ECN, EAR NO.	DATE	APP'D
A	PROPOSAL DRAWING	MAR18,2016	A.G.

## RJE72 SERIES LED OPTIONS TYPICAL FOR SINGLE & MULTI-PORTS



**LED SPECIFICATIONS:**  
 FORWARD VOLTAGE: 2.2 VOLTS TYP.  
 REVERSE VOLTAGE: 5.0 VOLTS MIN.  
 LUMINOUS INTENSITY: 5 mCd MIN.  
 (AT IF=20mA)  
 STORAGE TEMPERATURE: -40° TO 85° C

PRIMARY COLOR FOR Bi-COLOR  
 LEDS IN STANDARD ANODE/CATHODE  
 CONFIGURATION IS:  
 RED-GREEN = RED  
 RED-YELLOW = RED  
 GREEN-YELLOW = GREEN  
 GREEN-ORANGE = GREEN



**LEGEND**  
 BiC=Bi-COLOR LED  
 YE=YELLOW  
 GR=GREEN  
 RE=RED  
 OR=ORANGE

**EXAMPLE:**  
 PART NUMBER RJE72-X88-1XXX

↑  
LED COLOR CODE

**NOTE:**  
 THE TWO DIGITS PRECEDING THE  
 ADDITIONAL LED CODE MUST BE  
 USED IN THE PART NUMBER, WHEN  
 ORDERING ANY OF THE ADDITIONAL  
 LED OPTIONS.

CODE	LED 2 (LEFT)	LED 1 (RIGHT)	CODE	LED 2 (LEFT)	LED 1 (RIGHT)	CODE	LED 2 (LEFT)	LED 1 (RIGHT)
0	BLOCKED	BLOCKED	9	GREEN	BLOCKED	J	BiC RD/GR	YELLOW
1	YELLOW	GREEN	A	BiC GR/YE	BiC GR/YE	K	YELLOW	BiC GR/OR
2	BLOCKED	GREEN	B	BiC RD/GR	BiC RD/GR	L	BiC GR/YE	RED
3	YELLOW	BLOCKED	C	BiC RD/GR	BiC GR/YE	M	RED	YELLOW
4	GREEN	YELLOW	D	GREEN	BiC GR/YE	P	GREEN	BiC RD/GR
5	GREEN	GREEN	E	YELLOW	BiC GR/YE	R	BiC GR/OR	GREEN
6	YELLOW	YELLOW	F	BiC GR/YE	YELLOW	T	RED	RED
7	RED	YELLOW	G	BiC GR/OR	BiC GR/OR	V	BiC RD/GR	GREEN
8	GREEN	RED	H	BiC GR/YE	GREEN			

UNLESS SPECIFIED OTHERWISE PRIMARY UNITS MILLIMETERS SECONDARY INCHES REFERENCE IN PARENTHESES	DRAWN <i>KELVIN T</i> CHECKED M.E. APP'D Q.A. APP'D	MAR, 2016	Amphenol Canada Corp. www.amphenolcanada.com
GENERAL TOLERANCES FOR MM 1 DECIMAL PLACE ±0.50 2 DECIMAL PLACE ±0.30 3 DECIMAL PLACE ±0.10 ANGULAR DEGREES ±3°	ENG. REL. NO. REF.		<i>RJE72 LED OPTIONS DRAWING</i>
THIRD ANGLE PROJECTION	DO NOT SCALE DRAWING	DWG NO. <i>P-RJE72-LEDS</i>	REV <i>A</i>
		CODE ID NO. 03945	DWG SIZE: C SCALE: N/A SHEET 1 OF 1

# Mouser Electronics

Authorized Distributor

Click to View Pricing, Inventory, Delivery & Lifecycle Information:

## Amphenol:

[RJE7118811D2](#) [RJE7118812T1](#) [RJE7118813M2](#) [RJE7118811R2](#) [RJE711881213](#) [RJE7118814N1](#) [RJE7118811E2](#)  
[RJE711881481](#) [RJE7118813J1](#) [RJE7118814A3](#) [RJE711881272](#) [RJE7118814H3](#) [RJE7118813K1](#) [RJE7118813F3](#)  
[RJE7118812J2](#) [RJE711881203](#) [RJE711881492](#) [RJE7118811G3](#) [RJE7118812E1](#) [RJE711881132](#) [RJE711881381](#)  
[RJE7118811P2](#) [RJE711881353](#) [RJE7118812K2](#) [RJE7118814T2](#) [RJE7118814C1](#) [RJE7118812H2](#) [RJE7118813E3](#)  
[RJE7118812M3](#) [RJE711881241](#) [RJE7118811A1](#) [RJE711881413](#) [RJE711881343](#) [RJE7118813B2](#) [RJE7118811N1](#)  
[RJE7118812V1](#) [RJE7118811C1](#) [RJE7118812A3](#) [RJE7118813R3](#) [RJE711881471](#) [RJE7118811M1](#) [RJE711881461](#)  
[RJE7118814R2](#) [RJE7118812L3](#) [RJE7118811H3](#) [RJE7118814M1](#) [RJE711881312](#) [RJE7118811L1](#) [RJE7118814E2](#)  
[RJE711881163](#) [RJE7118814F2](#) [RJE7118812F1](#) [RJE711881282](#) [RJE711881142](#) [RJE711881301](#) [RJE7118811D1](#)  
[RJE711881233](#) [RJE7118813H3](#) [RJE7118812L2](#) [RJE711881332](#) [RJE7118814K3](#) [RJE7118814L3](#) [RJE7118812P3](#)  
[RJE7118814D1](#) [RJE7118811K3](#) [RJE7118811T2](#) [RJE7118812N3](#) [RJE7118811B1](#) [RJE711881433](#) [RJE7118813T3](#)  
[RJE711881223](#) [RJE7118814R1](#) [RJE711881292](#) [RJE711881491](#) [RJE711881121](#) [RJE711881261](#) [RJE7118813L1](#)  
[RJE7118813D2](#) [RJE711881183](#) [RJE7118812D3](#) [RJE711881251](#) [RJE7118814V2](#) [RJE711881111](#) [RJE7118813C2](#)  
[RJE711881423](#) [RJE711881322](#) [RJE7118814P1](#) [RJE711881363](#) [RJE7118812H1](#) [RJE7118811G2](#) [RJE711881193](#)  
[RJE711881342](#) [RJE7118812G1](#) [RJE7118812C3](#) [RJE7118813V3](#) [RJE7118813N2](#) [RJE711881391](#) [RJE7118813G3](#)  
[RJE7118812A2](#) [RJE711881271](#)