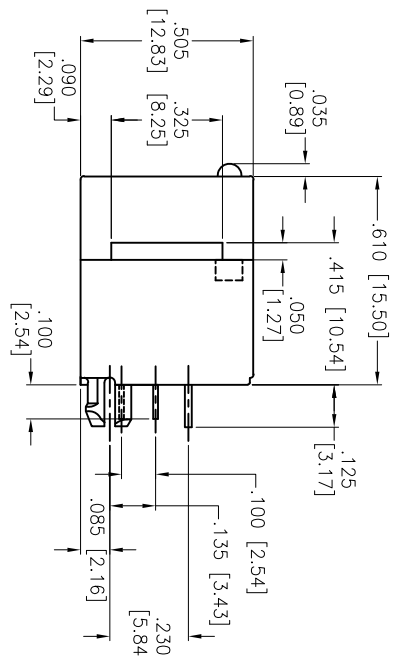
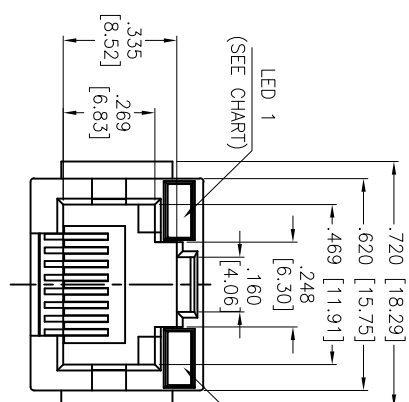
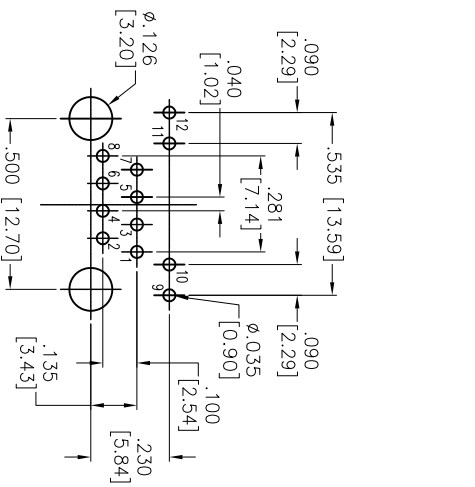


Rev	AWO #	Description	Date	Appr
-		RELEASED	7/6/16	

6 5 4 3 2 1

APPROVED: \_\_\_\_\_  
 DATE: \_\_\_\_\_ TITLE: \_\_\_\_\_



RECOMMENDED PCB LAYOUT

Part Number	LED 1 Color	LED 2 Color
MTJ-88DX1-LD	Green	Green
MTJ-88DX1-LG	Yellow	Green
MTJ-88DX1-LH	Green	Yellow
MTJ-88DX1-LP	Yellow/Green	Yellow/Green
MTJ-88DX1-LV	Green	Yellow/Green
MTJ-88DX1-L16	Green/Yellow	Green/Yellow

**SPECIFICATIONS:**  
 Material: Nylon46, Glass reinforced, rated UL 94V-0  
 Insulator color: Black  
 Contacts: Phosphor Bronze  
 LED solder tail: Steel, Tin plated  
 Plating:  
 Round contact  
 Gold over Nickel underplate overall  
 Flat contact  
 Gold over Nickel underplate on contact area,  
 Tin over Nickel underplate on solder tails

**Electrical:**  
 Voltage rating: 150 VAC max.  
 Current rating: 1.5 A max.  
 Contact resistance: 20 Mohms max @ 500 VDC  
 Dielectric withstanding voltage: 1,000 VRMS for 1 minute  
 Temperature Rating:  
 Operating temperature: -40°C to +85°C  
 Environmental:  
 Lead free, RoHS compliant.



UNLESS OTHERWISE SPECIFIED  
 ALL DIMENSIONS ARE INCHES [MM]  
 TOLERANCES: EXCEPT AS NOTED  
 INCHES HOLEES  
 .X ± .10 ØXX ± .10  
 .XX ± .020 ØXXX ± .015  
 .XXX ± .015 ØXXXX ± .010  
 APPROVALS DATE

**ADAM TECH**  
 909 Rahway Avenue, Union, NJ 07083  
 Phone: 908-687-5000 Fax: 908-687-5710  
**MODULAR TELEPHONE JACK, 8P8C,  
 W/LED'S**

DRAWN	HR	DATE	SIZE	PART NO.	REV.
CHECKED	DH	7/6/16	X	MTJ-88DX1-LX	-
APPROVED			REF: S00065T	SCALE: NTS	SHEET 1 OF 1

6 5 4 3 2 1