



180-091 (08) Jam Nut Mount Receptacle Advanced Fiber Optic Connector MIL-DTL-38999 Series III Type

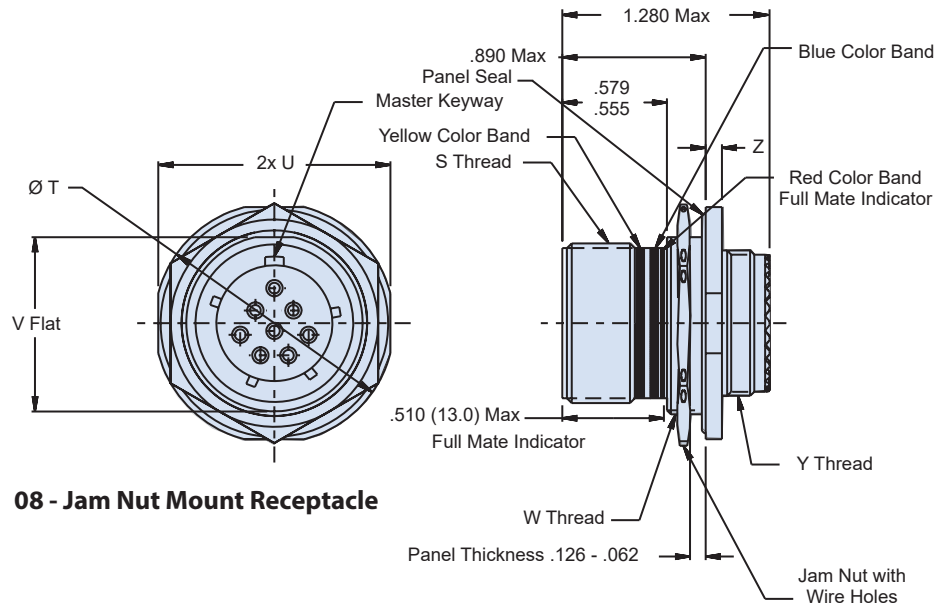
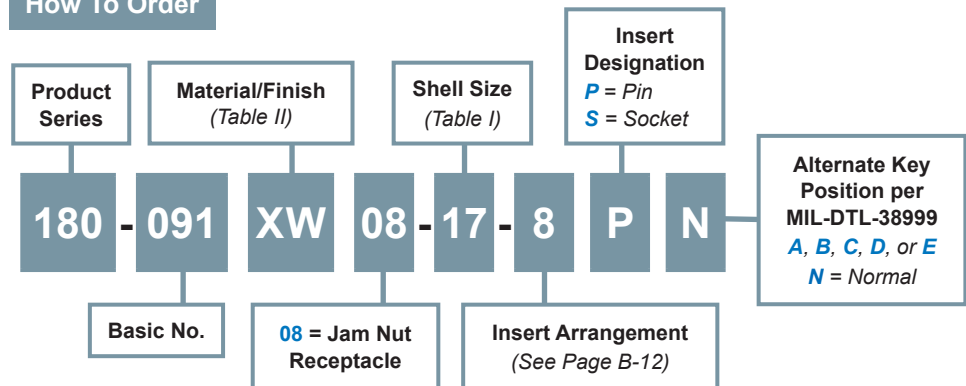
D38999
Series III

B

MIL-DTL-38999 type advanced fiber optic receptacle connector



How To Order



Material and Finish

Shell, Jam Nut: See Table II
 Jam Nut (for Composite): Al Alloy, plated same as shell
 Insulator: High Grade Rigid Dielectric
 Seals: Fluorosilicone

Notes

Insert arrangement in accordance with MIL-STD-1560, See Page B-12.
 Blue Color Band indicates rear release retention system.
 For appropriate Glenair Terminus part numbers, see Glenair Drawing 181-001 and 181-002.
 For recommended panel cutout, See Page B-13

**180-091 (08) Jam Nut Mount Receptacle
Advanced Fiber Optic Connector
MIL-DTL-38999 Series III Type**



MIL-DTL-38999
Series III Type

B

Table I

Shell Size Code	Shell Size	S Thread	Ø T	U	V	W Thread	Y Thread	Z
A	9	.6250-.1P-.3L-TS-2A	1.200 (30.5) 1.777 (45.1)	1.079 (27.4) 1.047 (26.6)	.655 (16.6) .645 (16.4)	M17 x 1.0-6g 0.100R	M12 x 1.0-6g 0.100R	.121 (3.1) .083 (2.1)
B	11	.7500-.1P-.3L-TS-2A	1.386 (25.4) 1.362 (34.6)	1.268 (32.2) 1.236 (31.4)	.755 (19.2) .745 (18.9)	M20 x 1.0-6g 0.100R	M15 x 1.0-6g 0.100R	.121 (3.1) .083 (2.1)
C	13	.8750-.1P-.3L-TS-2A	1.512 (38.4) 1.488 (37.8)	1.390 (35.3) 1.358 (34.5)	.942 (23.9) .932 (23.7)	M25 x 1.0-6g 0.100R	M18 x 1.0-6g 0.100R	.121 (3.1) .083 (2.1)
D	15	1.0000-.1P-.3L-TS-2A	1.638 (41.6) 1.614 (41.0)	1.516 (38.5) 1.484 (37.7)	1.066 (27.1) 1.056 (26.8)	M28 x 1.0-6g 0.100R	M22 x 1.0-6g 0.100R	.121 (3.1) .083 (2.1)
E	17	1.1875-.1P-.3L-TS-2A	1.764 (44.8) 1.740 (44.2)	1.642 (41.7) 1.610 (40.9)	1.191 (30.3) 1.181 (30.0)	M32 x 1.0-6g 0.100R	M25 x 1.0-6g 0.100R	.121 (3.1) .083 (2.1)
F	19	1.2500-.1P-.3L-TS-2A	1.949 (49.5) 1.925 (48.9)	1.827 (46.4) 1.795 (45.6)	1.316 (33.4) 1.306 (33.2)	M35 x 1.0-6g 0.100R	M28 x 1.0-6g 0.100R	.154 (3.9) .114 (2.9)
G	21	1.3750-.1P-.3L-TS-2A	2.075 (52.7) 2.051 (52.1)	1.953 (49.6) 1.921 (48.8)	1.441 (36.6) 1.431 (36.3)	M38 x 1.0-6g 0.100R	M31 x 1.0-6g 0.100R	.154 (3.9) .114 (2.9)
H	23	1.5000-.1P-.3L-TS-2A	2.201 (55.9) 2.177 (55.3)	2.079 (52.8) 2.047 (52.0)	1.566 (39.8) 1.556 (39.5)	M41 x 1.0-6g 0.100R	M34 x 1.0-6g 0.100R	.154 (3.9) .114 (2.9)
J	25	1.6250-.1P-.3L-TS-2A	2.323 (59.0) 2.299 (58.4)	2.205 (56.0) 2.173 (55.2)	1.691 (43.0) 1.681 (42.7)	M44 x 1.0-6g 0.100R	M37 x 1.0-6g 0.100R	.154 (3.9) .114 (2.9)

Code	Material	Finish Description
M	Aluminum Alloy	Electroless Nickel
MT		Nickel - PTFE, Grey
NF		Cadmium, Olive Drab
ZN		Zinc-Nickel, Olive Drab
ZNU		Zinc-Nickel, Black
ZR		Zinc-Nickel, Black (RoHS)
XM		Composite
XMT	Nickel - PTFE, Grey	
XW	Cadmium, Olive Drab	
XZN	Zinc-Nickel, Black	
MS	Stainless Steel	Electroless Nickel
ZL		Electro-Deposited Nickel
ZI		Passivate
AB	Marine Bronze	None (Clean Only)

Refer to Appendix for material/finish details

Mouser Electronics

Authorized Distributor

Click to View Pricing, Inventory, Delivery & Lifecycle Information:

Glenair:

[180-091XW08-17-8SN](#) [180-091M08-11-2PN](#) [180-091M08-17-8PN](#) [180-091NF08-11-2SN](#) [180-091NF08-23-21PN](#)
[180-091NF08-23-21SN](#) [180-091XM08-11-2PB](#) [180-091XM08-17-8PN](#) [180-091XM08-17-8SN](#) [180-091XM08-19-11SN](#)
[180-091XW08-13-4PN](#) [180-091XW08-13-4SN](#) [180-091XW08-17-8PN](#) [180-091XW08-19-11PN](#) [180-091XW08-21-](#)
[16SN](#) [180-091XW08-23-21PN](#) [180-091M08-11-2SN](#) [180-091M08-19-11SN](#) [180-091MS08-21-16PN-422B](#) [180-](#)
[091NF08-15-5PN](#) [180-091NF08-15-5SN](#) [180-091NF08-17-8PA](#) [180-091NF08-17-8PN-422B](#) [180-091NF08-17-8SA](#)
[180-091NF08-19-11PN](#) [180-091NF08-19-11SN](#) [180-091NF08-21-16PN-422B](#) [180-091NF08-25-29SB](#) [180-091XM08-](#)
[15-5SN](#) [180-091XM08-17-8PA](#) [180-091XM08-17-8PB](#) [180-091XM08-21-16SN](#) [180-091XW08-11-2PN](#) [180-](#)
[091XW08-21-16PN](#) [180-091Z108-13-4PN](#) [180-091Z108-13-4SN](#) [180-091Z108-17-8PN](#) [180-091M08-13-4PN](#) [180-](#)
[091M08-13-4SN](#) [180-091M08-15-5PN](#) [180-091M08-25-37PN](#) [180-091NF08-11-2PN](#) [180-091NF08-13-4PN](#) [180-](#)
[091NF08-13-4SN](#) [180-091NF08-17-8PN](#) [180-091NF08-17-8SN](#) [180-091NF08-21-16PN](#) [180-091NF08-21-16SN](#) [180-](#)
[091NF08-25-29PN](#) [180-091NF08-25-29SN](#) [180-091XM08-11-2PN](#) [180-091XM08-11-2SN](#) [180-091XM08-13-4PN](#)
[180-091XM08-13-4SN](#) [180-091XM08-19-11PN](#) [180-091XM08-23-21SN](#) [180-091XM08-25-29PN](#) [180-091XM08-25-](#)
[37PA](#) [180-091XM08-25-37PN](#) [180-091XM08-25-37SN](#) [180-091XW08-11-2SN](#) [180-091Z108-11-2PN](#) [180-091Z108-](#)
[11-2SN](#) [180-091M08-15-5SN](#) [180-091NF08-11-2SA](#)