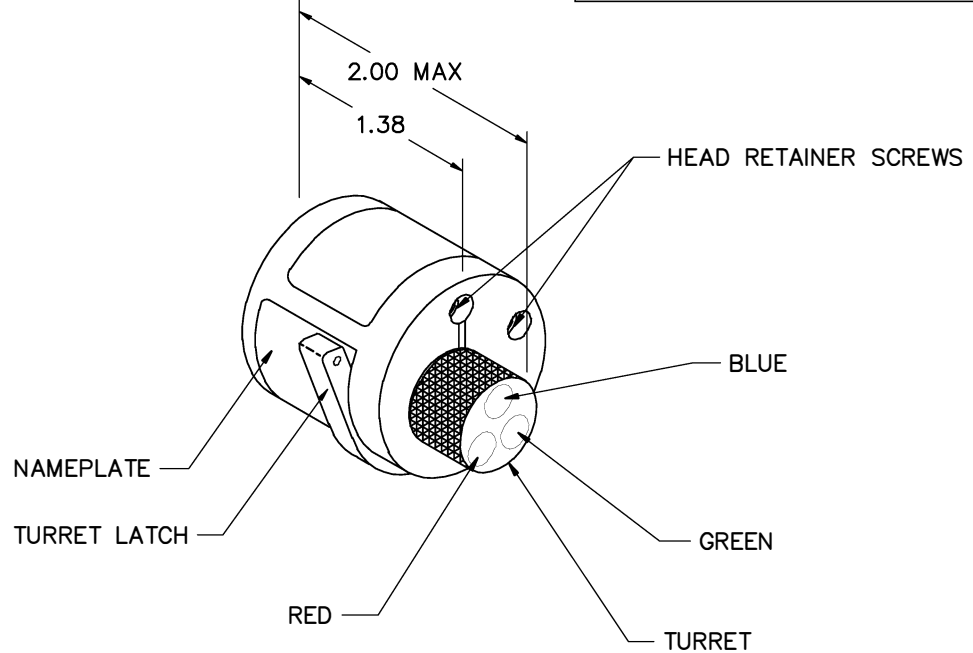
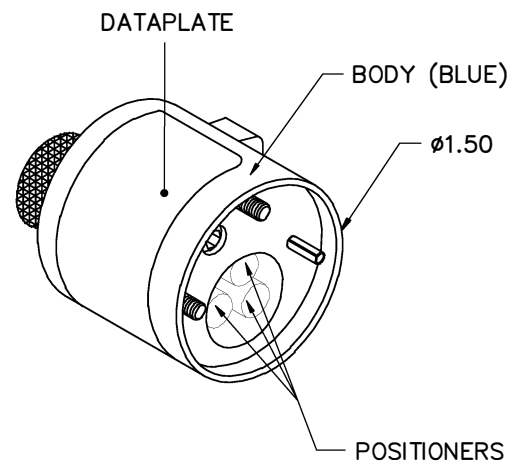


REVISIONS				
REV. SYM.	E.C.O. NUMBER	DESCRIPTION	BY DATE	APP'D DATE
1		ORIGINAL RELEASE	AAM 8-3-98	

**UNCONTROLLED DOCUMENT
WILL NOT BE UPDATED**

CONTACT		COLOR CODE	16	RG62A/U	WIRE SIZE	SELECTOR NO.
EDISON	42332	BLUE	5			
	23216-1	GREEN	5			
DEUTSCH #20DS		RED		1		



POSITIONER COLOR	HOLE DIMENSIONS	ADDITIONAL FEATURES
BLUE	Ø.125 ↓.530	
GREEN	Ø.099 ↓.455	
RED	Ø.098 ↓THRU	└┘ Ø.125 ↓.140

RESTRICTED & CONFIDENTIAL CONFIDENTIAL PROPERTY OF DANIELS MANUFACTURING CORP. NOT TO BE DISCLOSED TO OTHERS, REPRODUCED OR USED FOR ANY OTHER PURPOSE, EXCEPT AS AUTHORIZED IN WRITING BY DANIELS MANUFACTURING. MUST BE RETURNED TO DANIELS MANUFACTURING CORP. ON COMPLETION OF ORDER OR OTHER PURPOSE FOR WHICH LENT.		ITEM	PART NO.	QTY.	DESCRIPTION/REMARKS	
		DRN. A. MOO-YOUNG	DATE 8-3-98		DANIELS MANUFACTURING CORP. ORLANDO, FLORIDA CAGE 11851	
		CHK'D.	DATE			
		APP'D.	DATE	TITLE	ENVELOPE DRAWING TURRET HEAD	
APP'D.	DATE	WHERE USED: AFB	SIZE B	SCALE NTS	CAD P/N TH116-ENV	SHEET 1 OF 1
NOTE: THIS DRAWING IS AN OUTLINE DRAWING OF THE RESPECTIVE DMC PART NUMBER INDICATED. ACTUAL DMC PART NUMBER IS DRAWING NUMBER WITHOUT THE "-ENV" SUFFIX.			POSTING	P/N	TH116-ENV	REV. 1

Mouser Electronics

Authorized Distributor

Click to View Pricing, Inventory, Delivery & Lifecycle Information:

[Daniels Manufacturing:](#)

[TH116](#)