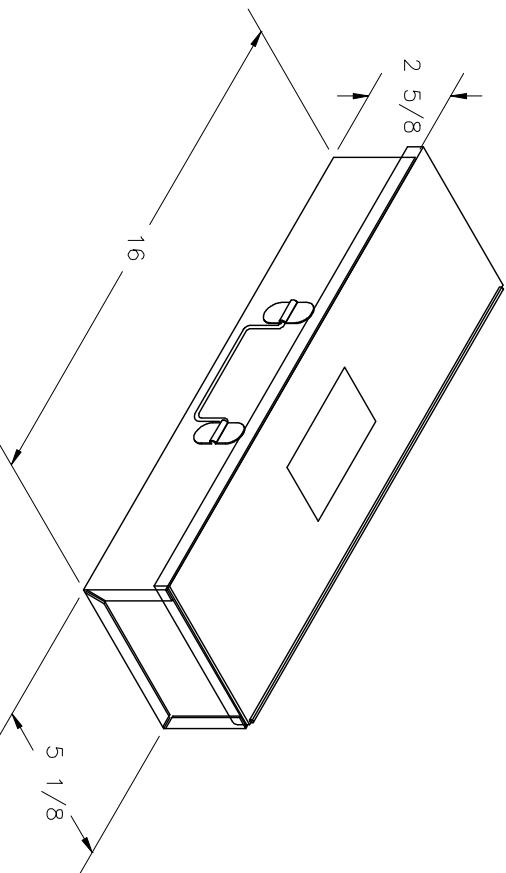
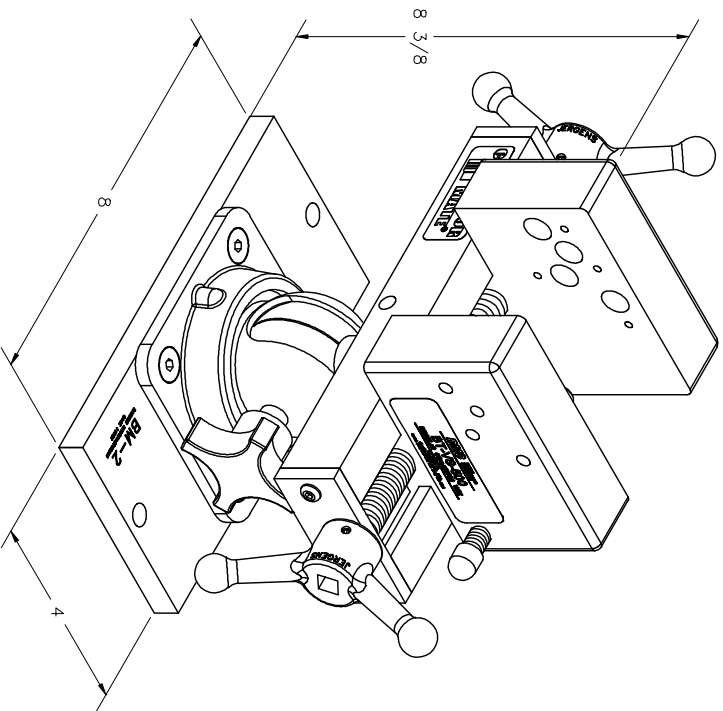


REVISIONS				
REV. SYM.	E.O.D. NUMBER	DESCRIPTION	BY DTM	APPD DATE
1		ORIGINAL RELEASE	DTM 3/23/99	JML 3/23/99
2		BM-2 WAS BM-3	TD 2/2/09	



**UNCONTROLLED DOCUMENT
WILL NOT BE UPDATED**

RESTRICTED & CONFIDENTIAL
 CONFIDENTIAL PROPERTY OF DANIELS MANUFACTURING CORP. NOT TO BE DISCLOSED OR USED FOR ANY OTHER PURPOSE EXCEPT AS AUTHORIZED IN WRITING BY DANIELS MANUFACTURING. MUST BE RETURNED TO DANIELS MANUFACTURING CORP. ON COMPLETION OF ORDER OR PURCHASE FOR WHICH INT.

DO NOT SCALE DRAWING

ITEM	PART NO.	QTY.	DESCRIPTION/REMARKS
DTM 3/23/99			DANIELS MANUFACTURING CORP. ORLANDO, FLORIDA CAGE 11851
JWJ 3/23/99			
APP'D.	DATE		
APP'D.	DATE		
NOTE: THIS DRAWING IS AN OUTLINE DRAWING OF THE RESPECTIVE INDICATED. ACTUAL DIM PART NUMBER AND DRAWING THE "-ENV" SUFFIX.			
WHERE USED: SIZE SCALE B 1/4 POSTING			
CAD P/N SHEET OF BT-VS-511-ENV 1 1 DIM. NO. BT-VS-511-ENV REV 2			

Mouser Electronics

Authorized Distributor

Click to View Pricing, Inventory, Delivery & Lifecycle Information:

[Daniels Manufacturing:](#)

[BT-VS-511](#)