

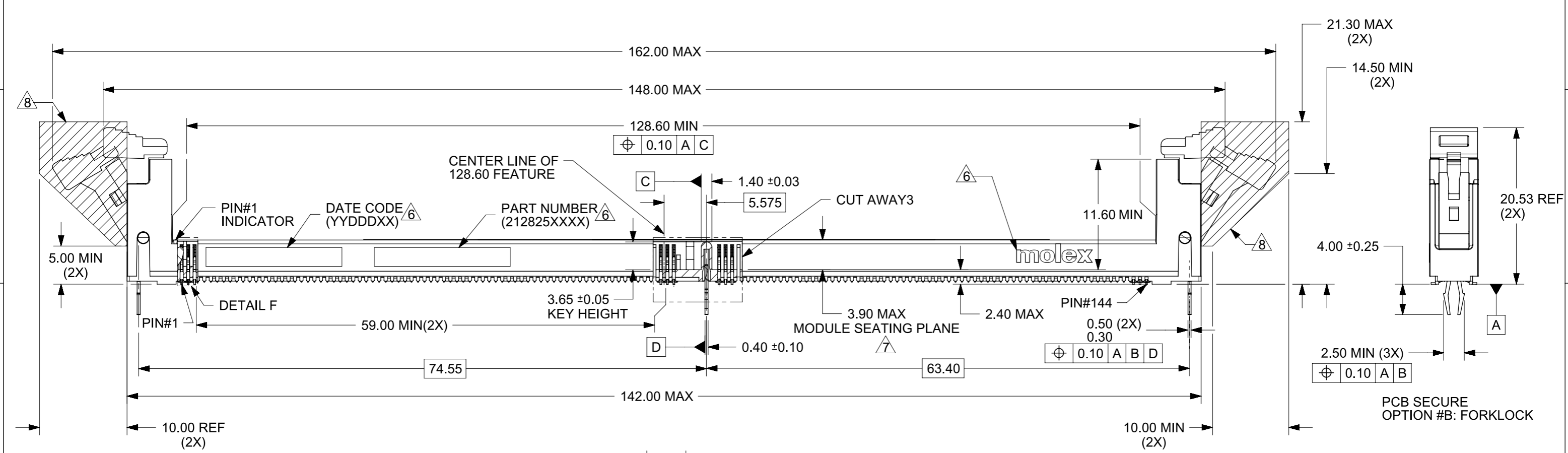
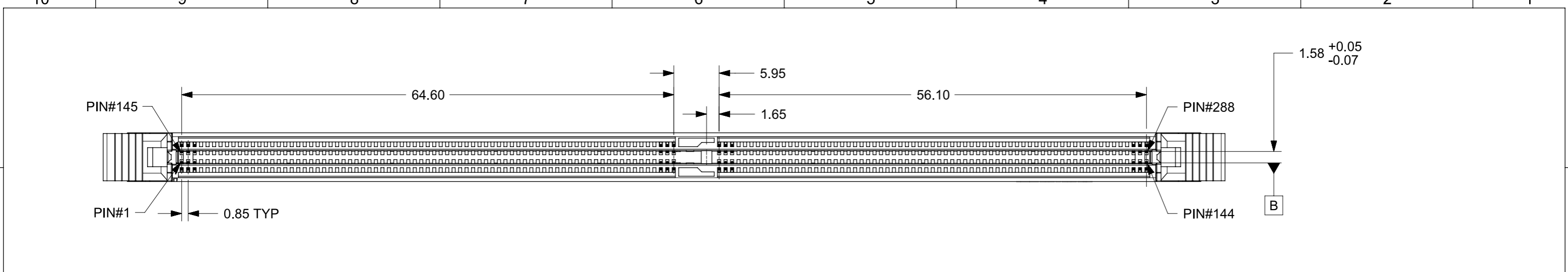
NOTES:

- MATERIAL : HOUSING - HALOGEN FREE HIGH TEMP POLYAMIDE, GLASS FILLED, UL94V-0.
COLOUR : SEE TABLE ON SHEET 6~7.
LATCH - HALOGEN FREE HIGH TEMP POLYAMIDE, GLASS FILLED, UL94V-0.
COLOUR : SEE TABLE ON SHEET 6.
TERMINAL : COPPER ALLOY.
METALTAB: COPPER ALLOY.
- FINISHES - SEE TABLE ON SHEET 6.
- PRODUCT SPECIFICATION : SEE TABLE ON SHEET 6.
- PACKAGING SPECIFICATION: PRODUCT SHALL BE PACKED IN TRAY, SEE SHEET 6
- CARD SLOT ACCEPTS 1.40±0.10MM MODULE THICKNESS (MEASURED OVER P.C. PADS).
- MOLEX LOGO, DATE & PART NO. INDICATED ON HOUSING.
- MODULE SEATING PLANE.
- KEEP OUT ZONE RESERVED FOR LATCH.
- KEEP OUT AREA IS THE AREA WHERE THE CONNECTOR (INCLUDES LATCHES IN OPENING POSITION) IS MOUNTED ON THE PCB.
- REFER TO AS-78730-001 FOR CONNECTOR APPLICATION GUIDELINE.
- REFER TO AS-78730-002 FOR PCB ROUTING RECOMMENDATIONS.

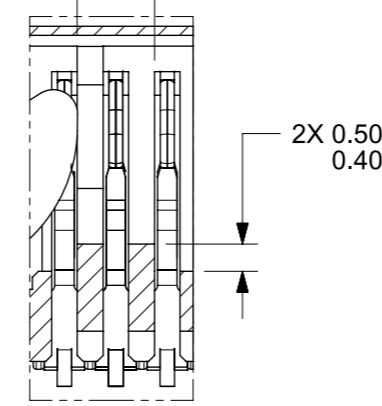
THIS DESIGN IS BASED ON DESIGN OBJECTIVES AND IS STRICTLY TENTATIVE. IT MAY CHANGE BASED ON RESULTS OF ADDITIONAL DESIGN REVIEWS AND VERIFICATIONS.

DETAIL E : BUMPER ZONE

THIS DRAWING CONTAINS INFORMATION THAT IS PROPRIETARY TO MOLEX ELECTRONIC TECHNOLOGIES, LLC AND SHOULD NOT BE USED WITHOUT WRITTEN PERMISSION		CURRENT REV DESC: ADD 2 OPTIONS		molex		
DIMENSION UNITS	SCALE	EC NO: 744132				DDR4 DIMM, 0.85MM PITCH 288CKTS, VERT. SMT
mm	NTS	DRWN: LIMONL 2022/12/07		PRODUCT CUSTOMER DRAWING		
GENERAL TOLERANCES (UNLESS SPECIFIED)		CHK'D: LIMONL 2023/06/13		DOCUMENT NUMBER		
ANGULAR TOL	± 3.0°	APPR: CTEH 2023/06/14		2128250001		
4 PLACES	±	INITIAL REVISION:		DOC TYPE		
3 PLACES	±	DRWN: SKANG 2019/04/10		PSD		
2 PLACES	± 0.2	APPR: SHLENI 2019/04/24		000		
1 PLACE	±	SERIES		A6		
0 PLACES	±	MATERIAL NUMBER		1 OF 7		
DRAFT WHERE APPLICABLE MUST REMAIN WITHIN DIMENSIONS		THIRD ANGLE PROJECTION	DRAWING	CUSTOMER	SHEET NUMBER	
			A3-SIZE	GENERAL MARKET	1 OF 7	



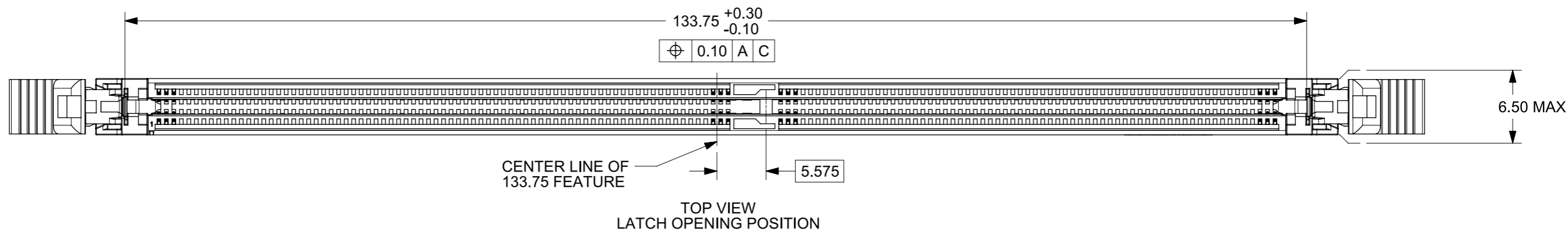
2X 5.00 BUMPER ZONE
0.50



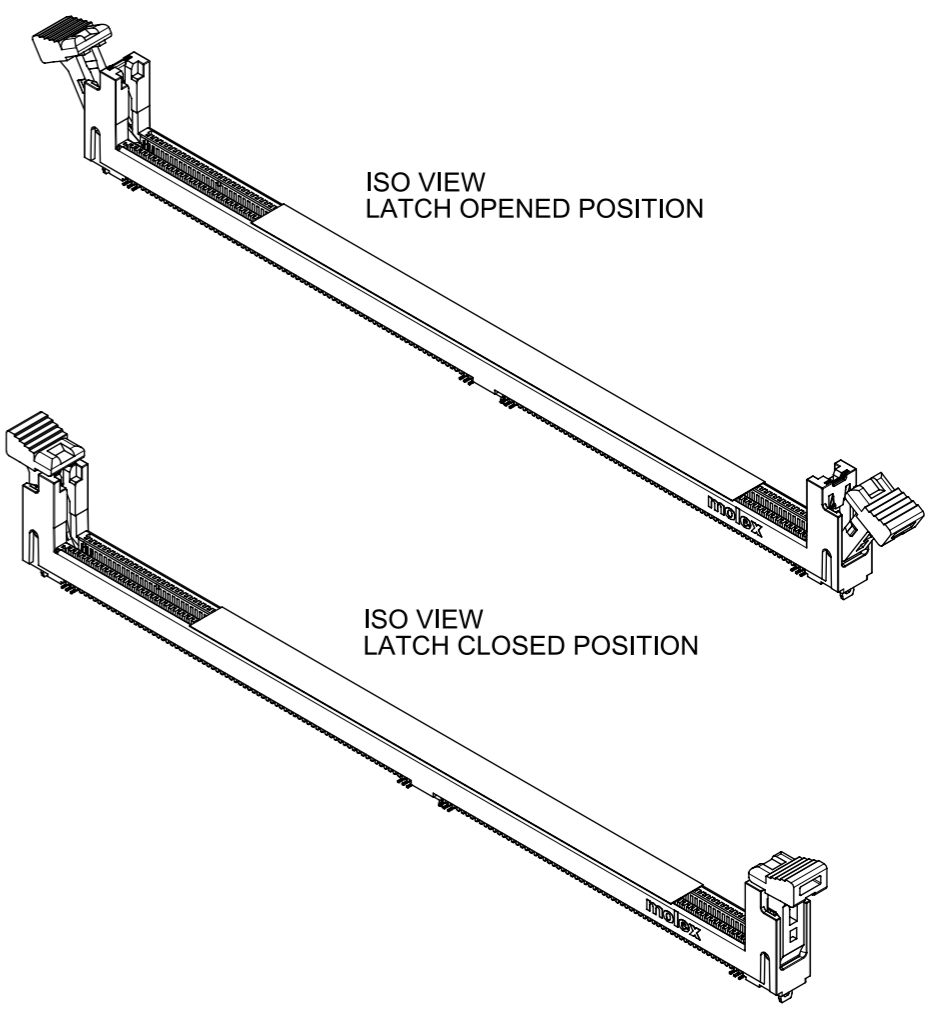
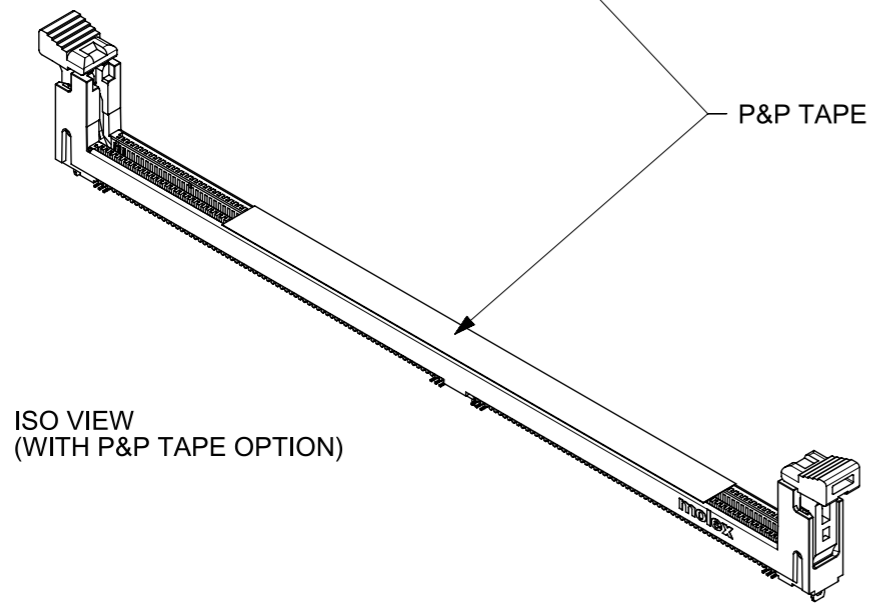
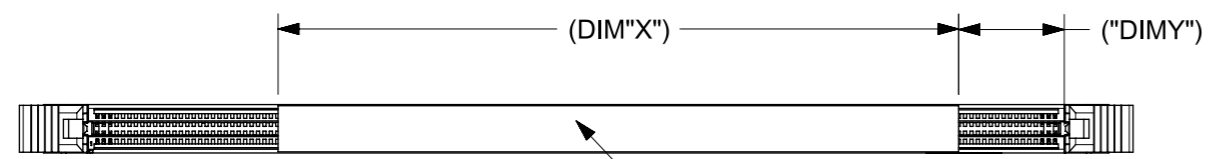
DETAIL F : BUMPER ZONE

THIS DESIGN IS BASED ON DESIGN OBJECTIVES AND IS STRICTLY TENTATIVE. IT MAY CHANGE BASED ON RESULTS OF ADDITIONAL DESIGN REVIEWS AND VERIFICATIONS.

THIS DRAWING CONTAINS INFORMATION THAT IS PROPRIETARY TO MOLEX ELECTRONIC TECHNOLOGIES, LLC AND SHOULD NOT BE USED WITHOUT WRITTEN PERMISSION		CURRENT REV DESC: ADD 2 OPTIONS			
DIMENSION UNITS	SCALE				
mm	NTS			DDR4 DIMM, 0.85MM PITCH 288CKTS, VERT. SMT	
GENERAL TOLERANCES (UNLESS SPECIFIED)				PRODUCT CUSTOMER DRAWING	
ANGULAR TOL	± 3.0 °			DOCUMENT NUMBER	
4 PLACES	±	EC NO: 744132	2022/12/07	2128250001	
3 PLACES	±	DRWN: LIMONL	2023/06/13	DOC TYPE	DOC PART
2 PLACES	± 0.2	CHK'D: LIMONL	2019/04/10	PSD	000
1 PLACE	±	APPR: CTEH	2019/04/24	A6	
0 PLACES	±	INITIAL REVISION:		REVISION	
DRAFT WHERE APPLICABLE MUST REMAIN WITHIN DIMENSIONS		DRWN: SKANG	2019/04/10	SHEET NUMBER	
THIRD ANGLE PROJECTION		APPR: SHLENI	2019/04/24	SEE TABLE	GENERAL MARKET
DRAWING		SERIES	MATERIAL NUMBER	CUSTOMER	
A3-SIZE		212825	SEE TABLE	GENERAL MARKET	

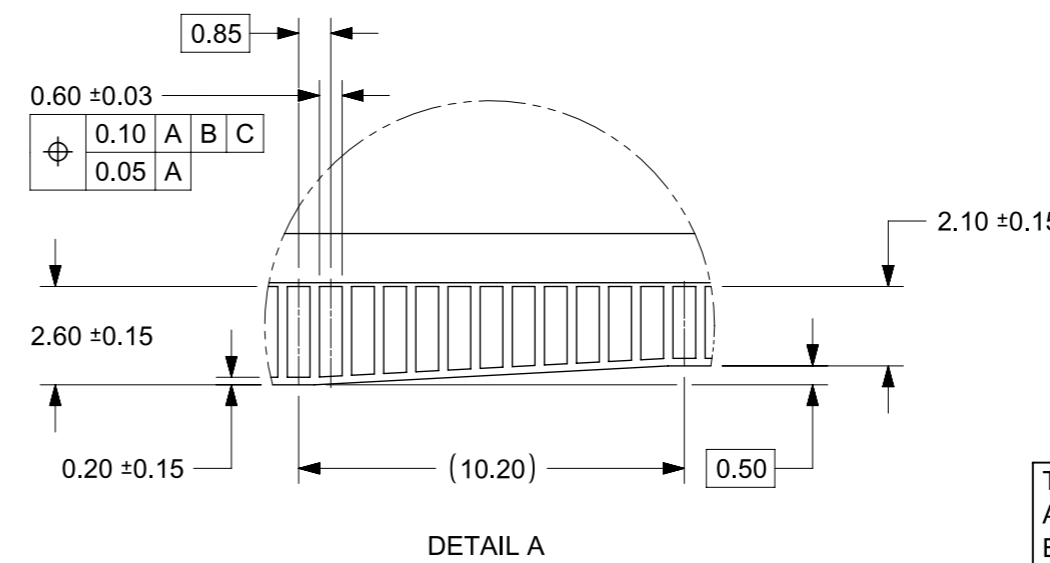
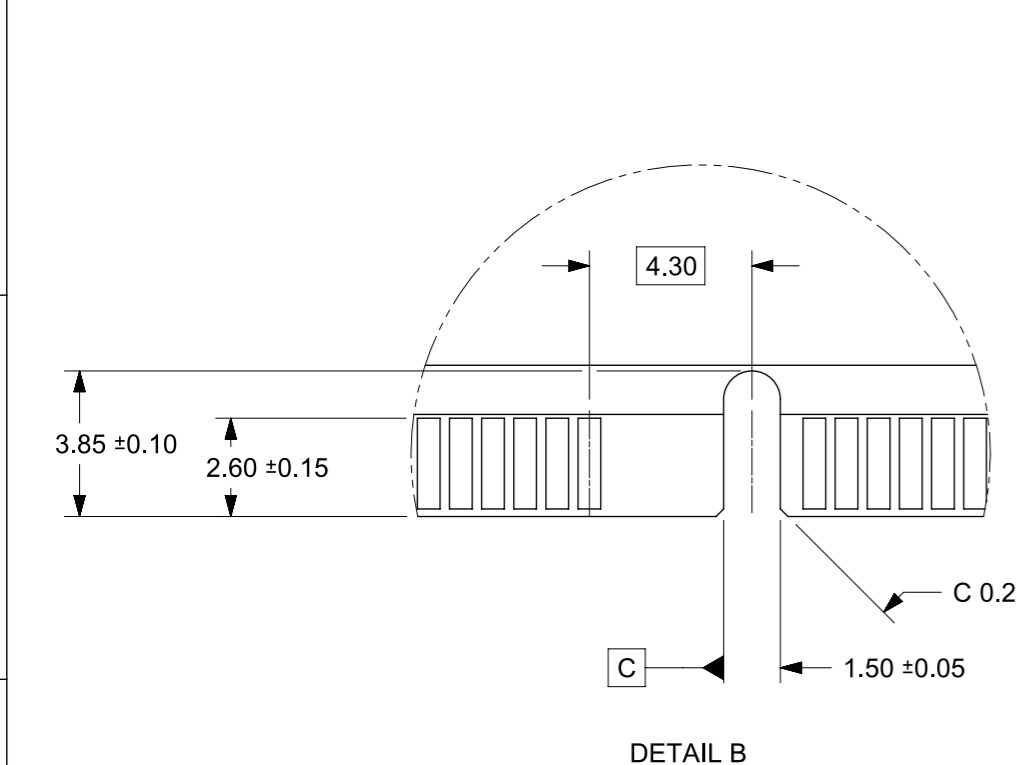
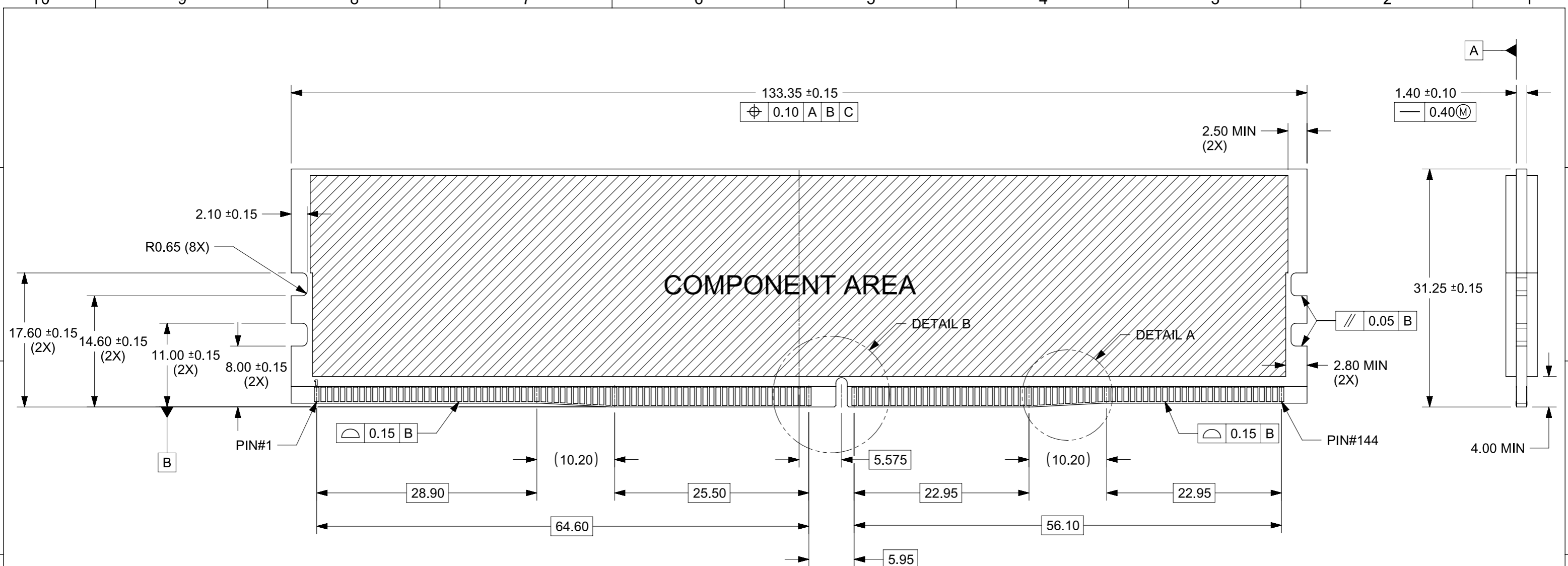


VIEWS WITH P&P TAPE OPTION



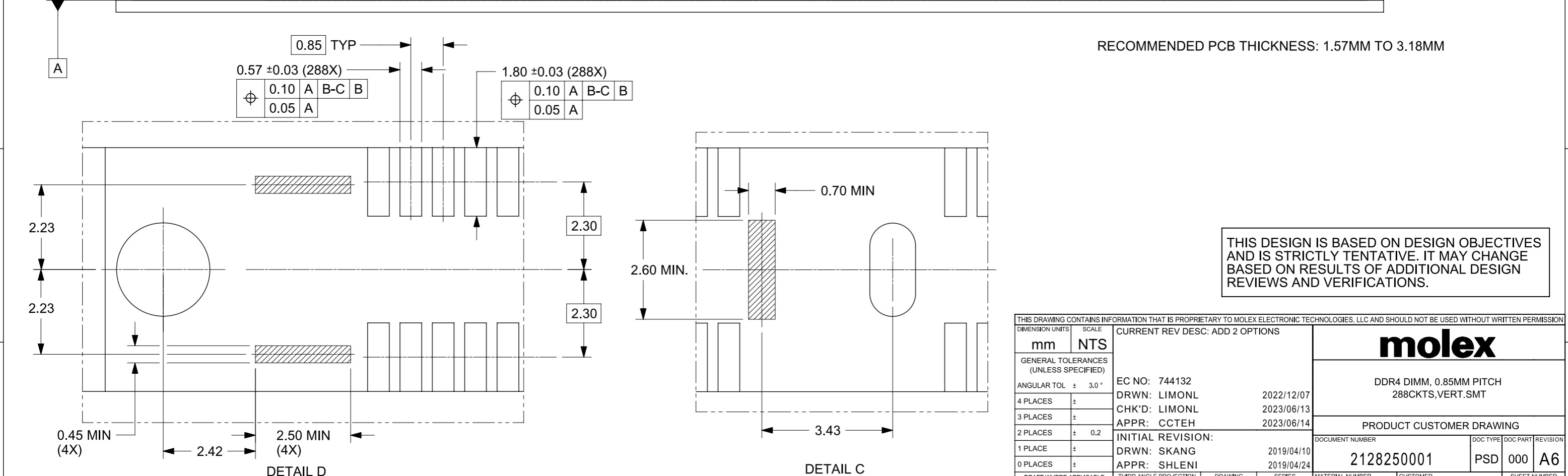
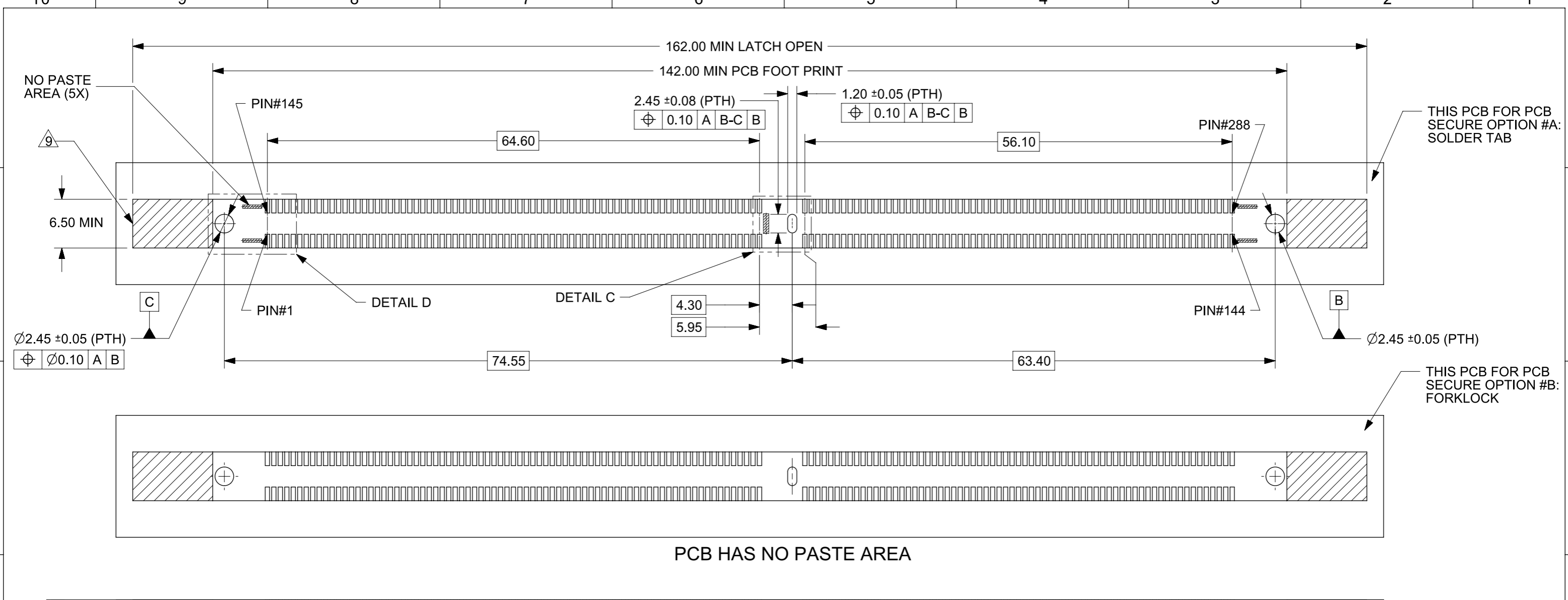
THIS DESIGN IS BASED ON DESIGN OBJECTIVES AND IS STRICTLY TENTATIVE. IT MAY CHANGE BASED ON RESULTS OF ADDITIONAL DESIGN REVIEWS AND VERIFICATIONS.

THIS DRAWING CONTAINS INFORMATION THAT IS PROPRIETARY TO MOLEX ELECTRONIC TECHNOLOGIES, LLC AND SHOULD NOT BE USED WITHOUT WRITTEN PERMISSION									
DIMENSION UNITS		SCALE		CURRENT REV DESC: ADD 2 OPTIONS				molex	
mm		NTS							
GENERAL TOLERANCES (UNLESS SPECIFIED)				EC NO: 744132					
ANGULAR TOL ± 3.0 °				DRWN: LIMONL		2022/12/07		DDR4 DIMM, 0.85MM PITCH	
4 PLACES ±				CHK'D: LIMONL		2023/06/13		288CKTS, VERT. SMT	
3 PLACES ±				APPR: CTEH		2023/06/14		PRODUCT CUSTOMER DRAWING	
2 PLACES ± 0.2				INITIAL REVISION:				DOCUMENT NUMBER	
1 PLACE ±				DRWN: SKANG		2019/04/10		2128250001	
0 PLACES ±				APPR: SHLENI		2019/04/24		PSD 000 A6	
DRAFT WHERE APPLICABLE MUST REMAIN WITHIN DIMENSIONS		THIRD ANGLE PROJECTION		DRAWING		SERIES		MATERIAL NUMBER	
				A3-SIZE		212825		SEE TABLE	
CUSTOMER		GENERAL MARKET		SHEET NUMBER		3 OF 7			



THIS DESIGN IS BASED ON DESIGN OBJECTIVES AND IS STRICTLY TENTATIVE. IT MAY CHANGE BASED ON RESULTS OF ADDITIONAL DESIGN REVIEWS AND VERIFICATIONS.

THIS DRAWING CONTAINS INFORMATION THAT IS PROPRIETARY TO MOLEX ELECTRONIC TECHNOLOGIES, LLC AND SHOULD NOT BE USED WITHOUT WRITTEN PERMISSION		CURRENT REV DESC: ADD 2 OPTIONS				
DIMENSION UNITS	SCALE					DDR4 DIMM, 0.85MM PITCH 288CKTS, VERT. SMT
mm	NTS			PRODUCT CUSTOMER DRAWING		
GENERAL TOLERANCES (UNLESS SPECIFIED)		EC NO: 744132		DOCUMENT NUMBER		
ANGULAR TOL	± 3.0°	DRWN: LIMONL 2022/12/07		2128250001		
4 PLACES	±	CHK'D: LIMONL 2023/06/13		DOC TYPE		
3 PLACES	±	APPR: CCTEH 2023/06/14		PSD		
2 PLACES	± 0.2	INITIAL REVISION:		DOC PART		
1 PLACE	±	DRWN: SKANG 2019/04/10		000		
0 PLACES	±	APPR: SHLENI 2019/04/24		A6		
DRAFT WHERE APPLICABLE MUST REMAIN WITHIN DIMENSIONS		THIRD ANGLE PROJECTION	DRAWING	SERIES	MATERIAL NUMBER	CUSTOMER
			A3-SIZE	212825	SEE TABLE	GENERAL MARKET
						SHEET NUMBER
						4 OF 7

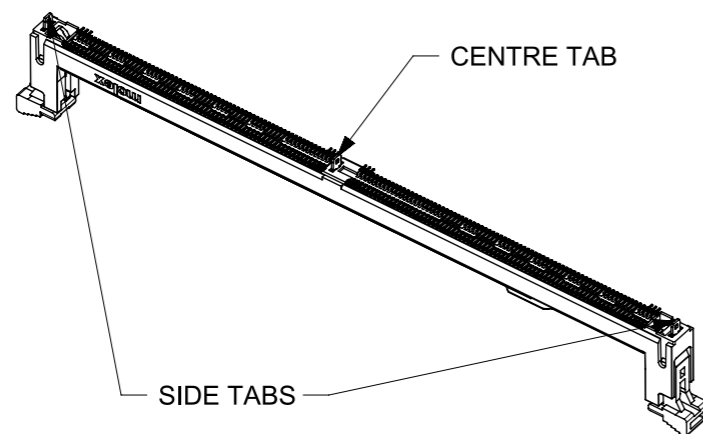


DOCUMENT STATUS	P1	RELEASE DATE	2023/06/14	07:09:29
-----------------	----	--------------	------------	----------

THIS DRAWING CONTAINS INFORMATION THAT IS PROPRIETARY TO MOLEX ELECTRONIC TECHNOLOGIES, LLC AND SHOULD NOT BE USED WITHOUT WRITTEN PERMISSION		CURRENT REV DESC: ADD 2 OPTIONS					
DIMENSION UNITS	SCALE	EC NO: 744132				DOCUMENT NUMBER	DOC TYPE
mm	NTS	DRWN: LIMONL 2022/12/07		2128250001	PSD	000	A6
GENERAL TOLERANCES (UNLESS SPECIFIED)		CHK'D: LIMONL 2023/06/13		PRODUCT CUSTOMER DRAWING			
ANGULAR TOL ± 3.0°		APPR: CCTEH 2023/06/14		INITIAL REVISION:			
4 PLACES ±		DRWN: SKANG 2019/04/10		MATERIAL NUMBER			
3 PLACES ±		APPR: SHLENI 2019/04/24		CUSTOMER			
2 PLACES ± 0.2				SEE TABLE			
1 PLACE ±				GENERAL MARKET			
0 PLACES ±				SHEET NUMBER			
DRAFT WHERE APPLICABLE MUST REMAIN WITHIN DIMENSIONS		THIRD ANGLE PROJECTION	DRAWING	SERIES	MATERIAL NUMBER		CUSTOMER
			A3-SIZE	212825	SEE TABLE		GENERAL MARKET

CKT SIZE	ASSEMBLY PART NO.	HOUSING COLOUR	LATCH COLOUR	P&P OPTION	PCB SECURE	DIM"P"	DIM"Q"		PLATING OPTION		PRODUCT SPEC. NO.	PACKAGING SPEC. NO.
							SIDE TAB	CENTRE TAB	TERMINAL	METAL TAB		
288	2128251502	BLACK	BLACK	NO	OPTION#A: SOLDERTAB	2.00	2.10			CONTACT AREA 0.76µM/30µIN MIN GOLD ON CONTACT 2.54µM/100µIN MIN NICKEL UNDERPLATE TAIL AREA 2.54µM/100µIN MIN TIN ON SOLDER TAILS 1.27µM/50µIN MIN NICKEL UNDERPLATE	PS-78730-001	
	2128251503		OFF-WHITE									
	2128251504	OFF-WHITE	BLACK									
	2128251505		OFF-WHITE									
	2128251506	BLUE	BLACK									
	2128251507		OFF-WHITE									
	2128252502	BLACK	BLACK	YES (X=60mm, Y=28.97mm)								
	2128252503		OFF-WHITE									
	2128252504	OFF-WHITE	BLACK									
	2128252505		OFF-WHITE									
	2128252506	BLUE	BLACK									
	2128252507		OFF-WHITE									
	2128251652	BLACK	BLACK	NO								
	2128251653		OFF-WHITE									
	2128251654	OFF-WHITE	BLACK									
	2128251655		OFF-WHITE									
	2128251658	YELLOW	OFF-WHITE									
	2128252652	BLACK	BLACK							YES (X=60mm, Y=28.97mm)		
	2128252653		OFF-WHITE									
	2128252654	OFF-WHITE	BLACK									
	2128252655		OFF-WHITE									
	2128252656	BLUE	BLUE									
	2128252657	BLUE	OFF-WHITE									
	2128252658	YELLOW	OFF-WHITE									
	2128253652	BLACK	BLACK	YES (X=90mm, Y=19.54mm)								
	2128253656	BLUE	BLUE									
	2128253653	BLACK	OFF-WHITE									
	2128253654	OFF-WHITE	BLACK									
2128253655	OFF-WHITE											
2128253657	BLUE	OFF-WHITE										
2128253658	YELLOW	OFF-WHITE										
2128253659	BLACK	YELLOW										
2128253660	BLUE	BLUE	NO									
2128253710		BLUE										
2128253712	YELLOW	OFF-WHITE										
2128253714	BLACK	BLACK										
2128252720	BLUE	BLUE		YES (X=60mm, Y=28.97mm)								
2128252722	BLACK	BLACK										

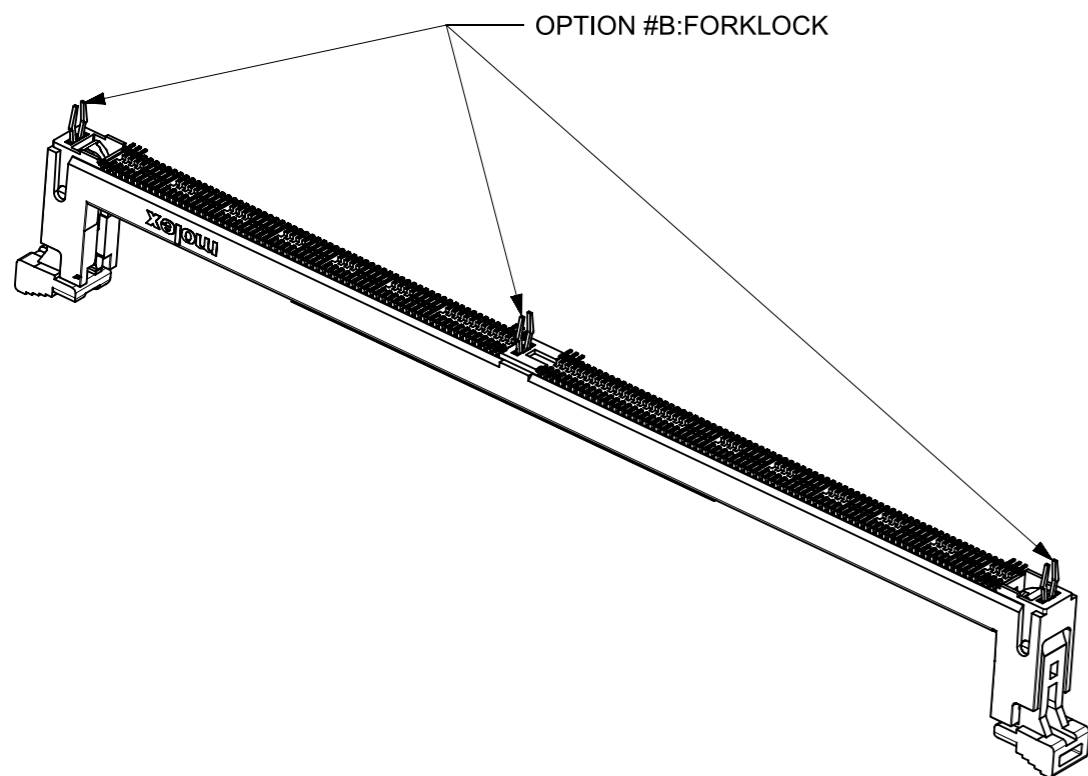
THIS DESIGN IS BASED ON DESIGN OBJECTIVES AND IS STRICTLY TENTATIVE. IT MAY CHANGE BASED ON RESULTS OF ADDITIONAL DESIGN REVIEWS AND VERIFICATIONS.




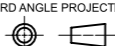
THIS DRAWING CONTAINS INFORMATION THAT IS PROPRIETARY TO MOLEX ELECTRONIC TECHNOLOGIES, LLC AND SHOULD NOT BE USED WITHOUT WRITTEN PERMISSION		CURRENT REV DESC: ADD 2 OPTIONS					
DIMENSION UNITS	SCALE						
mm	NTS			PRODUCT CUSTOMER DRAWING			
GENERAL TOLERANCES (UNLESS SPECIFIED)				DOCUMENT NUMBER			
ANGULAR TOL	± 3.0 °			2128250001			
4 PLACES	±			DOC TYPE			
3 PLACES	±			PSD			
2 PLACES	± 0.2			DOC PART			
1 PLACE	±			000			
0 PLACES	±			REVISION			
DRAFT WHERE APPLICABLE MUST REMAIN WITHIN DIMENSIONS		THIRD ANGLE PROJECTION		DRAWING		SERIES	
				A3-SIZE		212825	
				MATERIAL NUMBER		CUSTOMER	
				SEE TABLE		GENERAL MARKET	
						SHEET NUMBER	
						6 OF 7	

DOCUMENT STATUS | P1 | RELEASE DATE | 2023/06/14 07:09:29

10	9	8	7	6	5	4		3	2	1
						CTK SIZE	ASSEMBLY PART NO.			
						TERMINAL	FORKLOCK			
288	2128254001	BLACK	BLACK	NO	OPTION#B: FORKLOCK	CONTACT AREA 0.76μM/30μIN MIN GOLD ON CONTACT	1.0 MICROMETER(40 MICROINCH) MIN TIN OVERALL (PRE-PLATED)	PS-78730-001	PK-78730-001	
	2128254002	OFF-WHITE	OFF-WHITE			2.54μM/100μIN MIN NICKEL UNDERPLATE				
	2128254004	BLACK	BLACK	TAIL AREA 2.54μM/100μIN MIN TIN ON SOLDER TAILS						
	2128254005		OFF-WHITE	YES						
	2128254008	BLUE	BLUE	1.27μM/50μIN MIN NICKEL UNDERPLATE						
	2128254003	BLACK	BLACK	NO		CONTACT AREA 0.38μM/15μIN GOLD ON CONTACT				
	2128254006			YES		2.54μM/100μIN MIN NICKEL UNDERPLATE				
	2128254007			YES		TAIL AREA 2.54μM/100μIN MIN TIN ON SOLDER TAILS				
						1.27μM/50μIN MIN NICKEL UNDERPLATE				



THIS DESIGN IS BASED ON DESIGN OBJECTIVES AND IS STRICTLY TENTATIVE. IT MAY CHANGE BASED ON RESULTS OF ADDITIONAL DESIGN REVIEWS AND VERIFICATIONS.

THIS DRAWING CONTAINS INFORMATION THAT IS PROPRIETARY TO MOLEX ELECTRONIC TECHNOLOGIES, LLC AND SHOULD NOT BE USED WITHOUT WRITTEN PERMISSION											
DIMENSION UNITS		SCALE		CURRENT REV DESC: ADD 2 OPTIONS							
mm		NTS		 DDR4 DIMM, 0.85MM PITCH 288CKTS, VERT. SMT							
GENERAL TOLERANCES (UNLESS SPECIFIED)											
ANGULAR TOL		± 3.0 °		EC NO: 744132				2022/12/07			
4 PLACES		±		DRWN: LIMONL				2023/06/13			
3 PLACES		±		CHK'D: LIMONL				2023/06/14			
2 PLACES		± 0.2		APPR: CTEH				2023/06/14			
1 PLACE		±		INITIAL REVISION:				DOCUMENT NUMBER			
0 PLACES		±		DRWN: SKANG				2019/04/10			
				APPR: SHLENI				2019/04/24			
DRAFT WHERE APPLICABLE MUST REMAIN WITHIN DIMENSIONS				THIRD ANGLE PROJECTION		DRAWING		SERIES		MATERIAL NUMBER	
						A3-SIZE		212825		SEE TABLE	
				GENERAL MARKET		CUSTOMER		SHEET NUMBER		7 OF 7	