

VIEW ON MATING SIDE



- 2 3 4 5 6 7 8 9 10 = 11 12 13 14 15

A = 48 STANDARD CONTACTS L = 2.9

MARKING	STANDARD
PERFORMANCE LEVEL	G1/O = CONTACT AREA LEVEL I / TERMINATION TIN
FLUX PROOF	NO
FIXING CLIP	NO
DIMENSIONS	E-85013-0002 SHT 1-2

A	G1/O	a1-16 b1-16 c1-16
CONTACT SYMBOL	PERFORMANCE LEVEL	CONTACT POSITION NUMBER

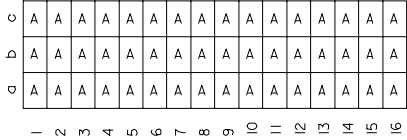
SL. NO.	DESCRIPTION	CONTACT SYMBOL	PART NUMBER	QTY
1	HOUSING		36520-0002	1
2	TERMINAL	A	36527-0004	48

<b>ENTER DESCRIPTION</b> ELC NCL 12005 03/13 DRAWING: MAHARAJ 2004/10/16 CHKD: SSUDHIR 2004/10/29 APPR: PRASAD 2005/11/09	<b>QUALITY SYMBOLS</b> 	<b>GENERAL TOLERANCES (UNLESS SPECIFIED)</b>		<b>DIMENSION STYLE</b> IN/MM	SCALE ---	DESIGN UNITS INCH	THIRD ANGLE PROJECTION		
		4 PLACES ±---± 3 PLACES ±---± 2 PLACES ±---± 1 PLACE ±---±	mm INCH ±---± ±---± ±---± ±---± ±---± ±---±	DRAWN BY SS	DATE 2004/03/31	TITLE 48 POS. MALE CONNECTOR ACC. DIN 41612 STYLE R/2 CONTACTS			
		ANGULAR ±---°		CHECKED BY SSUDHIR	DATE 2004/03/31	APPROVED BY SSUDHIR			
		DRAFT WHERE APPLICABLE MUST REMAIN WITHIN DIMENSIONS		MATERIAL NO. ENTER PART	DATE 2004/03/31	DOCUMENT NO. E-85013-2127		SHEET NO. 1 OF 1	

THIS DRAWING CONTAINS INFORMATION THAT IS PROPRIETARY TO MOLEX INCORPORATED AND SHOULD NOT BE USED WITHOUT WRITTEN PERMISSION

20 19 18 17 16 15 14 13 12 11 9 8 7 6 5 4 3 2 1


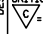
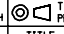
VIEW ON MATING SIDE



A = 48 STANDARD CONTACTS L = 2.9

MARKING	STANDARD
PERFORMANCE LEVEL	G/O = CONTACT AREA LEVEL / TERMINATION TIN
FLUX PROOF	NO
FIXING CLIP	NO
DIMENSIONS	SD-85013-0002 SHT 1

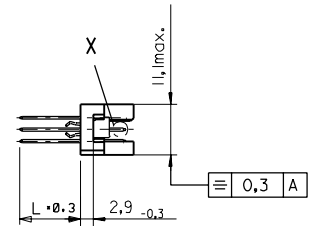
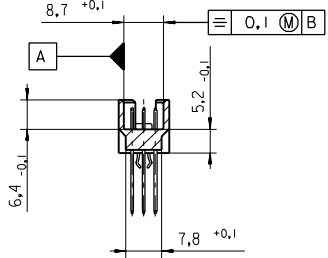
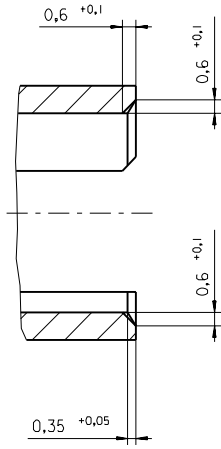
A	G/O	a1-16	b1-16	c1-16
CONTACT SYMBOL	PERFORMANCE LEVEL	CONTACT POSITION NUMBER		

EC NO. I 2002-XXXX DRAWN: S 31/03/04 CHK: G.L. 31/03/04 APPR: L.L. 31/03/04	QUALITY SYMBOLS MAJOR  CRITICAL 	GENERAL TOLERANCES: (UNLESS SPECIFIED) <table border="1"> <tr><td></td><td>MM</td><td>INCH</td></tr> <tr><td>4 PLACES</td><td>±0.1</td><td>±0.005</td></tr> <tr><td>3 PLACES</td><td>±0.1</td><td>±0.005</td></tr> <tr><td>2 PLACES</td><td>±0.1</td><td>±0.005</td></tr> <tr><td>1 PLACE</td><td>±0.1</td><td>±0.005</td></tr> </table>		MM	INCH	4 PLACES	±0.1	±0.005	3 PLACES	±0.1	±0.005	2 PLACES	±0.1	±0.005	1 PLACE	±0.1	±0.005	SCALE DESIGN UNITS <input checked="" type="checkbox"/> MM <input type="checkbox"/> INCH	DRAWN BY & DATE NLS 31/03/04 CHECKED BY & DATE G.L. 31/03/04 APPROVED BY & DATE G.L. 31/03/04	DIMENSIONS: <input type="checkbox"/> MM INCH <input type="checkbox"/> INCH MM <input checked="" type="checkbox"/> MM ONLY	THIRD ANGLE PROJECTION 	TITLE: 48 POS MALE CONNECTOR ACCORDING DIN 41612 STYLE R/2 CONTACTS ARRANGEMENT	SHEET NO. 1 OF 1 REVISE ON CAD ONLY
		MM	INCH																				
	4 PLACES	±0.1	±0.005																				
	3 PLACES	±0.1	±0.005																				
2 PLACES	±0.1	±0.005																					
1 PLACE	±0.1	±0.005																					
CAD FILENAME S850132127.S01	MATERIAL NO. 85013-2127	DRAWING NO. SD-85013-2127	MOLEX INCORPORATED		THIS DRAWING CONTAINS INFORMATION THAT IS PROPRIETARY TO MOLEX INCORPORATED AND SHOULD NOT BE USED WITHOUT WRITTEN PERMISSION.		SIZE D																
DRAFT WHERE APPLICABLE MUST REMAIN WITHIN DIMENSIONS																							
THIS DRAWING CONTAINS INFORMATION THAT IS PROPRIETARY TO MOLEX INCORPORATED AND SHOULD NOT BE USED WITHOUT WRITTEN PERMISSION.																							

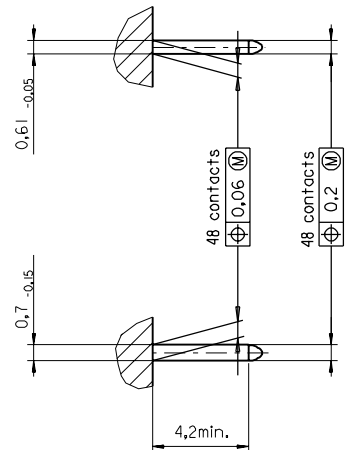
19 18 17 16 15 14 13 12 11 10 9 8 7 6 5 4 3 2 1

PART NO.  
DWG. NO.

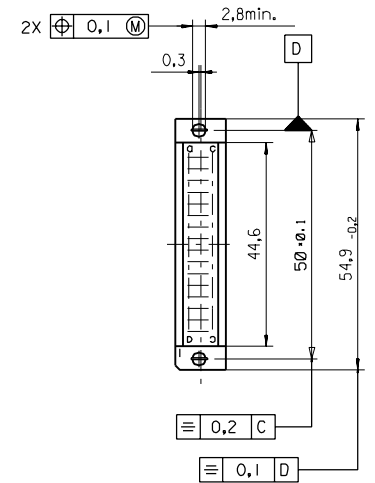
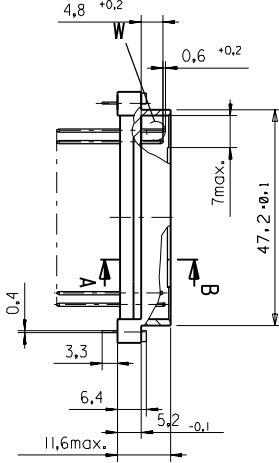
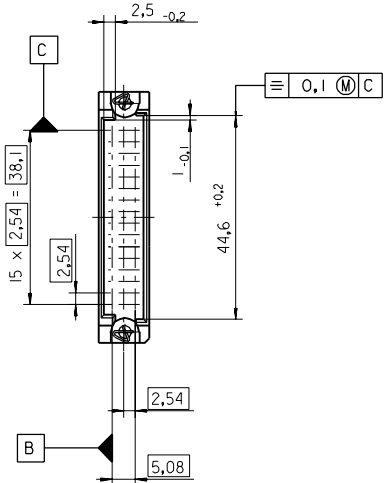
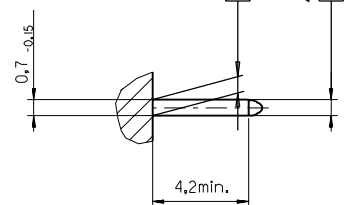
Section A - B  
5:1



View X  
5:1



View W  
5:1



FIRST ANGLE PROJECTION		REVISE ONLY ON CAD SYSTEM		SH.	REV.
first release see ECN No. 1887	LTR	FOR PREVIOUS REVISIONS SEE MRI LIST	UNLESS OTHERWISE SPECIFIED TOLERANCES: ANGULAR ±2°	DRWG BY <b>Ca</b>	SIGN
		3 PLACE ± . ±	INCH METRIC	CHK'D BY <b>KN</b>	SIGN
BI	LTR	2 PLACE ± . ±	DRAFT WHERE APPLICABLE MUST REMAIN WITHIN DIMENSIONS	APP'D BY	SIGN
		1 PLACE ± . ±	DESIGN DIMENSION <input checked="" type="checkbox"/> MM <input type="checkbox"/> IN.	SCALE	
		EQUIVALENT DIMENSION <input type="checkbox"/> MM <input type="checkbox"/> IN.	CAD/CAM PROJECT NAME 85013000 821		THIS DRAWING CONTAINS INFORMATION THAT IS PROPRIETARY TO MOLEX INC. & SHOULD NOT BE USED WITHOUT WRITTEN PERMISSION
		IF TWO DIMENSIONS ARE SHOWN THE UPPER IS THE DESIGN DIMENSION, LOWER IS SECONDARY	TITLE <b>48 pos. Male connector acc. DIN 41612 style R/2 Dimensions</b>		
			MOLEX MOLEX EUROPE		SHEET NO. DATE 1 OF 95/06/08
			PART NO.	DWG NO.	SIZE
				SDA-85013-0002	B

VIEW ON MATING SIDE

∩	A	A	A	A	A	A	A	A	A	A	A	A	A	A	A	A	A
∩	A	A	A	A	A	A	A	A	A	A	A	A	A	A	A	A	A
∩	A	A	A	A	A	A	A	A	A	A	A	A	A	A	A	A	A

1 2 3 4 5 6 7 8 9 10 11 12 13 14 15 16 17 18 19 20 21 22 23 24 25 26 27 28 29 30 31 32 33 34 35 36 37 38 39 40 41 42 43 44 45 46 47 48 49 50 51 52 53 54 55 56 57 58 59 60 61 62 63 64 65 66 67 68 69 70 71 72 73 74 75 76 77 78 79 80 81 82 83 84 85 86 87 88 89 90 91 92 93 94 95 96 97 98 99 100

A = 48 STANDARD CONTACTS L-2,9

Marking	Standard
Performance level	G1/0 = Contact area perform. level / Termination tin
Flux proof	no
Fixing clip	no
Dimensions	SDA-85013-0002 sht.1
Technical Data	PS-85013-0001

A	G1/0	a1-16	b1-16	c1-16
Contact symbol	Perform. level	Contact position number		

first release see ECN No. 2453	REVISIONS		FOR PREVIOUS REVISIONS SEE MRI LIST	
	LTR	∇		
UNLESS OTHERWISE SPECIFIED TOLERANCES: ANGULAR ± 2°		DRWG BY	CC	SIGN
INCH		CHK'D BY	KN	SIGN
METRIC		APP'D BY	JB	SIGN
3 PLACE ± .	±	SCALE		
2 PLACE ± .	±	DESIGN DIMENSION <input type="checkbox"/> MM <input type="checkbox"/> IN.		
1 PLACE ± .	±	EQUIVALENT DIMENSION <input type="checkbox"/> MM <input type="checkbox"/> IN.		
DRAFT WHERE APPLICABLE MUST REMAIN WITHIN DIMENSIONS		IF TWO DIMENSIONS ARE SHOWN, THE UPPER IS THE DESIGN DIMENSION, LOWER IS SECONDARY		
REVISE ONLY ON CAD SYSTEM		SH. REV.		
CAD/CAM PROJECT NAME		THIS DRAWING CONTAINS INFORMATION THAT IS PROPRIETARY TO MOLEX INC. & SHOULD NOT BE USED WITHOUT WRITTEN PERMISSION		
s8501321		s21		
TITLE		SHEET NO.		DATE
48 pos. Male connector acc. DIN 41612 style R/2 contacts arrangement		1 OF 1		97/04/09
PART NO.		DWG NO.		SIZE
85013-2127		SDA-85013-2127		A