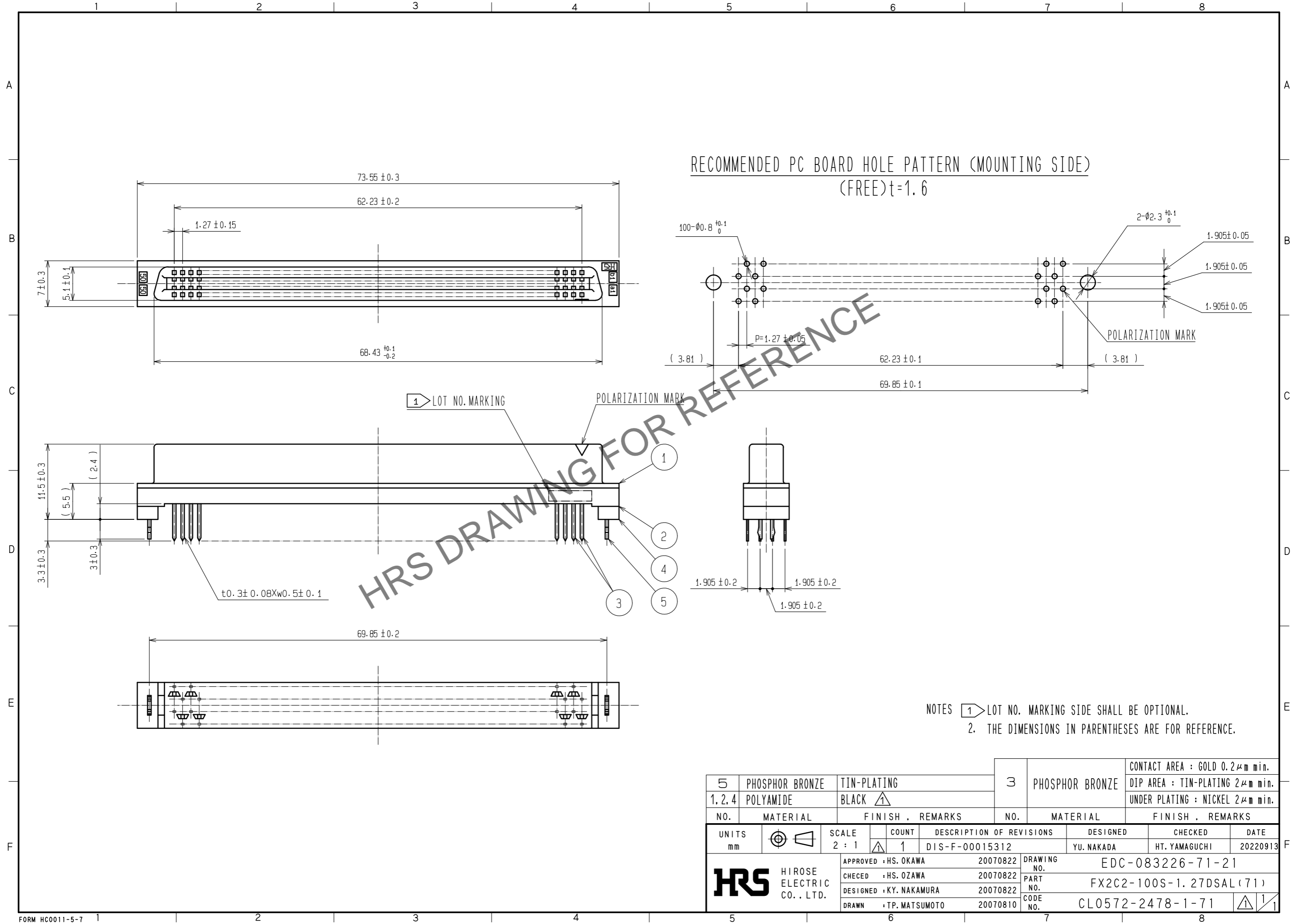


Jul.1.2024 Copyright 2024 HIROSE ELECTRIC CO., LTD. All Rights Reserved.
 In case of consideration for using Automotive equipment / device which demand high reliability, kindly contact our sales window correspondents.



NOTES 1. LOT NO. MARKING SIDE SHALL BE OPTIONAL.
 2. THE DIMENSIONS IN PARENTHESES ARE FOR REFERENCE.

5	PHOSPHOR BRONZE	TIN-PLATING	3	PHOSPHOR BRONZE	CONTACT AREA : GOLD 0.2μm min. DIP AREA : TIN-PLATING 2μm min. UNDER PLATING : NICKEL 2μm min.
1, 2, 4	POLYAMIDE	BLACK ▲			
NO.	MATERIAL	FINISH . REMARKS	NO.	MATERIAL	FINISH . REMARKS
UNITS mm	⊕	SCALE 2 : 1	COUNT ▲ 1	DESCRIPTION OF REVISIONS DIS-F-00015312	DESIGNED YU. NAKADA
					CHECKED HT. YAMAGUCHI
					DATE 20220913
HRS HIROSE ELECTRIC CO., LTD.		APPROVED : HS. OKAWA 20070822	DRAWING NO. EDC-083226-71-21		
		CHECED : HS. OZAWA 20070822	PART NO. FX2C2-100S-1. 27DSAL (71)		
		DESIGNED : KY. NAKAMURA 20070822	CODE NO. CL0572-2478-1-71		
		DRAWN : TP. MATSUMOTO 20070810	1/1		