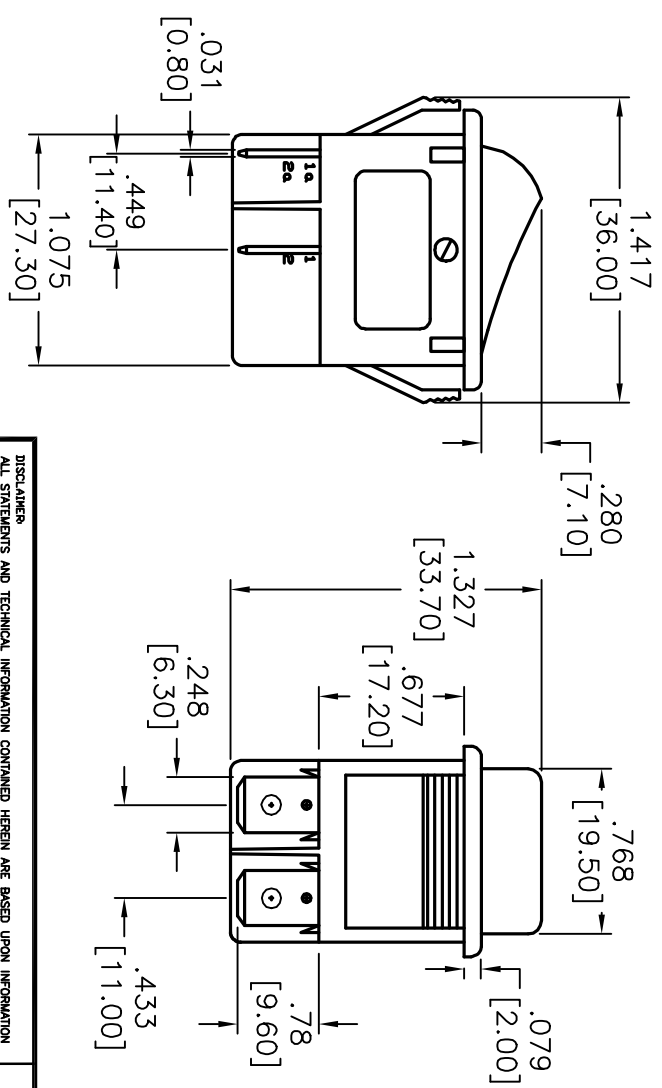
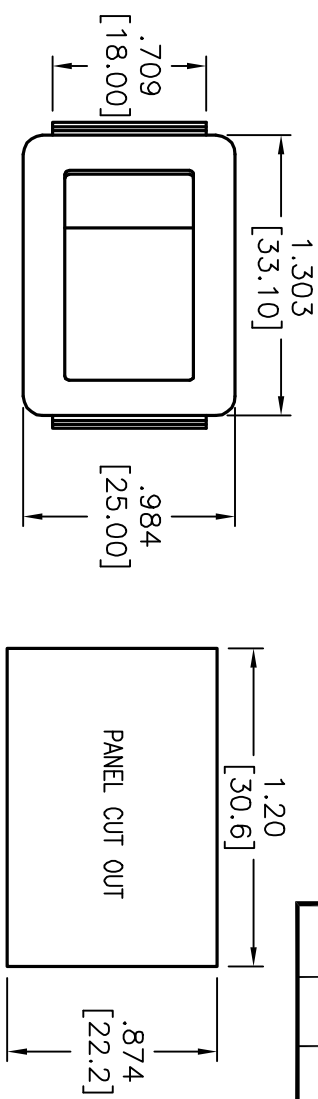


ALL RIGHTS RESERVED. NO PORTION OF THIS PUBLICATION, WHETHER IN WHOLE OR IN PART CAN BE REPRODUCED WITHOUT THE EXPRESS WRITTEN CONSENT OF SPC TECHNOLOGY.

REVISIONS		DOC. NO. SPC-F005	* Effective: 12/21/98		* DCP No: 680			
DCP #	REV	DESCRIPTION	DRAWN	DATE	CHECKD	DATE	APPRVD	DATE
492	A	RELEASED	JWM	12/28/01	JC	12/28/01	DJC	12/28/01



SPECIFICATIONS

Electrical

Contact Rating: 15A @ 125VAC, 10A @ 250VAC
 Contact Resistance: 30 milliohms max.
 Insulation Resistance: 1,000 Megohms min. at 500VDC
 Dielectric Strength: 1,000 VRMS

Mechanical

Life: 10,000 cycles
 Environmental
 Operating Temperature: -30°C to 85°C

Material
 Housing: Nylon 6/6, UL94V-0 - Black
 Acuator: Polycarbonate - Black
 Contact/Terminals: Copper alloy, silver plated



SPC TECHNOLOGY

DISCLAIMER:
 ALL STATEMENTS AND TECHNICAL INFORMATION CONTAINED HEREIN ARE BASED UPON INFORMATION AND/OR TESTS WE BELIEVE TO BE ACCURATE AND RELIABLE SINCE CONDITIONS OF USE ARE BEYOND OUR CONTROL. THE USER SHALL DETERMINE THE SUITABILITY OF THE PRODUCT FOR THE INTENDED USE AND ASSUME ALL RISK AND LIABILITY WHATSOEVER IN CONNECTION THEREWITH.

UNLESS OTHERWISE SPECIFIED, DIMENSIONS ARE FOR REFERENCE PURPOSES ONLY.

DRAWN BY:	Jeff McVicker	DATE:	12/28/01
CHECKED BY:	JOHN COLE	DATE:	12/28/01
APPROVED BY:	Daniel Carey	DATE:	12/28/01

DRAWING TITLE:		Rocker Switch - DPST - ON/OFF	
SIZE:	DWG. NO.:	ELECTRONIC FILE	REV
A	SPC11192	34C4463.dwg	A
SCALE:	NTS	U.O.M.: INCHES [mm]	SHEET: 1 OF 1