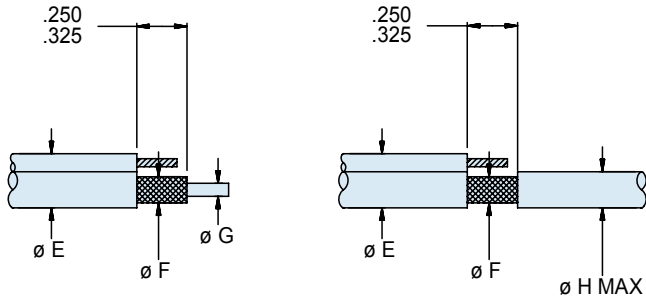
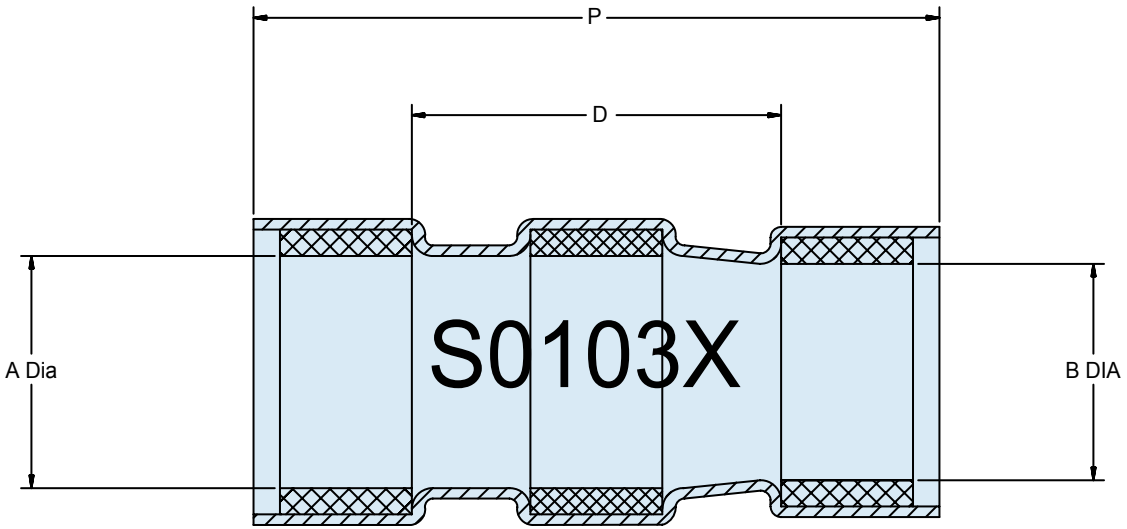
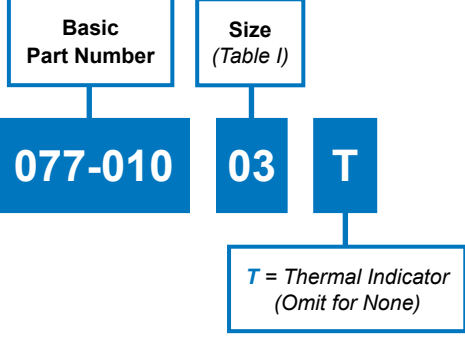


**077-010**  
**AS83519/1 Type Heat Shrink Termination (HST) Sleeves**  
**No Lead Wire**



Dimensions in Inches (millimeters) are subject to change without notice.

**077-010**  
**AS83519/1 Type Heat Shrink Termination (HST) Sleeves**  
**No Lead Wire**



Designed to meet SAE AS83519 performance requirements, Glenair Heat Shrink Termination (HST) shield to ground termination sleeves are fabricated from special transparent cross-linked polyvinylidene fluoride tubing to deliver optimal environmental shield termination in aerospace and defense industry applications. Each HST device is equipped with a pre-fluxed solder preform and thermally stabilized thermoplastic sealing rings that encapsulated and protect the shield-to-ground termination. Glenair HST devices are tested to perform from -55°C to 125°C IAW SAE AS83519.

**TABLE I: Dimensions, Marking Code and Military Reference Number**

Size	A Dia Min	B Dia Min	P ± .07 (1.8)	D Min	W Ref	E Dia Max	F Dia Min	G Dia Min	H Dia Max	Military Ref No Lead Wire	Marking Code (See Note 1)
01	.105 (2.67)	.075 (1.91)	.65 (16.5)	.325 (8.26)	.095 (2.42)	.105 (2.65)	.035 (0.90)	.020 (0.50)	.075 (1.90)	M83519/1-1	S0101X
02	.145 (3.68)	.105 (2.67)	.65 (16.5)	.325 (8.26)	.095 (2.42)	.145 (3.68)	.055 (1.40)	.030 (0.72)	.105 (2.65)	M83519/1-2	S0102X
03	.200 (5.08)	.170 (4.32)	.65 (16.5)	.325 (8.26)	.125 (3.18)	.200 (5.08)	.085 (2.15)	.050 (1.25)	.170 (4.30)	M83519/1-3	S0103X
04	.255 (6.48)	.235 (5.97)	.75 (19.0)	.325 (8.26)	.125 (3.18)	.255 (6.45)	.130 (3.30)	.070 (1.80)	.235 (5.95)	M83519/1-4	S0104X
05	.300 (7.62)	.275 (7.0)	.75 (19.0)	.325 (8.26)	.125 (3.18)	.300 (7.60)	.170 (4.30)	.100 (2.50)	.275 (7.00)	M83519/1-5	S0105X

**Notes**

- Code number option to be located on sleeve (Example: S0103X)

**Material/Finish:**

- Insulation sleeve - Heat-shrinkable, radiation crosslinked, modified polyvinylidene fluoride per MIL-I-23053/8. Color - Transparent blue.
- Meltable sealing ring - Thermally stabilized thermoplastic, color blue.
- Solder preform - Alloy Sn63 per QQ-S-571 with thermochromic indicator using ROL1 type RMA flux.

**Application**

- Temperature rating: -55°C to +150°C. Cable jacket rating: 125°C min.
- Shield plating: Tin or silver
- For best results prepare cable as shown

Dimensions in Inches (millimeters) are subject to change without notice.