

## 100325 Low Power Hex ECL-to-TTL Translator

### General Description

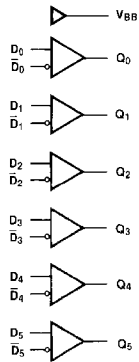
The 100325 is a hex translator for converting F100K logic levels to TTL logic levels. Differential inputs allow each circuit to be used as an inverting, non-inverting or differential receiver. An internal reference voltage generator provides  $V_{BB}$  for single-ended operation, or for use in Schmitt trigger applications. All inputs have 50k $\Omega$  pull-down resistors. When the inputs are either unconnected or at the same potential the outputs will go low.

When used in single-ended operation the apparent input threshold of the true inputs is 20mV to 40mV higher (positive) than the threshold of the complementary inputs. The  $V_{EE}$  and  $V_{TTL}$  power may be applied in either order.

### Features

- Pin/function compatible with 100125
- Meets 100125 AC specifications
- 50% power reduction of the 100125
- Differential inputs with built in offset
- Standard FAST® outputs
- 2000V ESD protection
- -4.2V to -5.7V operating range
- Available to industrial grade temperature range
- Available to MIL-STD-883

### Ordering Code: Logic Diagram

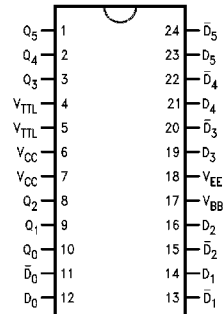


DS009879-4

Pin Names	Description
$D_0$ - $D_5$	Data Inputs
$\bar{D}_0$ - $\bar{D}_5$	Inverting Data Inputs
$Q_0$ - $Q_5$	Data Outputs

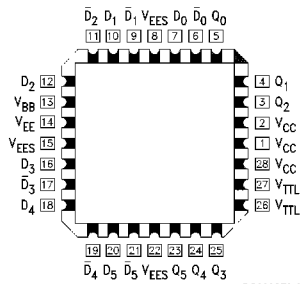
## Connection Diagrams

24-Pin DIP/SOIC



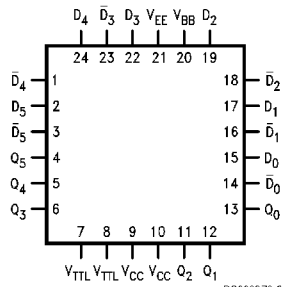
DS009879-1

28-Pin PCC



DS009879-3

24-Pin Quad Cerpak



DS009879-2

## Truth Table

Inputs		Outputs
$D_n$	$\bar{D}_n$	$Q_n$
L	H	L
H	L	H
L	L	L
H	H	L
Open	Open	L
$V_{EE}$	$V_{EE}$	L
L	$V_{BB}$	L
H	$V_{BB}$	H
$V_{BB}$	L	H
$V_{BB}$	H	L

H = HIGH Voltage Level  
L = LOW Voltage Level

## Absolute Maximum Ratings (Note 1)

Above which the useful life may be impaired.

Storage Temperature ( $T_{STG}$ )	-65°C to +150°C
Maximum Junction Temperature ( $T_J$ )	
Ceramic	+175°C
Plastic	+150°C
$V_{EE}$ Pin Potential to Ground Pin	-7.0V to +0.5V
$V_{TTL}$ Pin Potential to Ground Pin	-0.5V to +6.0V
Input Voltage (DC)	$V_{EE}$ to +0.5V
Voltage Applied to Output	
in HIGH State (with $V_{CC} = 0V$ )	-0.5V to $V_{CC}$
Current Applied to Output	
in LOW State (Max)	twice the rated $I_{OL}$ (mA)

ESD (Note 2)

≥2000V

## Recommended Operating Conditions

Case Temperature ( $T_C$ )	
Commercial	0°C to +85°C
Industrial	-40°C to +85°C
Military	-55°C to +125°C
Supply Voltage ( $V_{EE}$ )	-5.7V to -4.2V

**Note 1:** Absolute maximum ratings are those values beyond which the device may be damaged or have its useful life impaired. Functional operation under these conditions is not implied.

**Note 2:** ESD testing conforms to MIL-STD-883, Method 3015.

## Commercial Version

### DC Electrical Characteristics

$V_{EE} = -4.2V$  to  $-5.7V$ ,  $V_{CC} = GND$ ,  $V_{TTL} = +4.5V$  to  $5.5V$ ,  $T_C = 0°C$  to  $+85°C$  (Note 4)

Symbol	Parameter	Min	Typ	Max	Units	Conditions
$V_{BB}$	Output Reference Voltage	-1380	-1320	-1260	mV	$I_{VBB} = -2.1$ mA
$V_{IH}$	Single-Ended Input HIGH Voltage	-1165		-870	mV	Guaranteed HIGH Signal for All Inputs (with One Input Tied to $V_{BB}$ )
$V_{IL}$	Single-Ended Input LOW Voltage	-1830		-1475	mV	Guaranteed LOW Signal for All Inputs (with One Input Tied to $V_{BB}$ )
$V_{OH}$	Output HIGH Voltage	2.5			V	$I_{OH} = -2.0$ mA
$V_{OL}$	Output LOW Voltage			0.5	V	$I_{OL} = 20$ mA
$V_{DIFF}$	Input Voltage Differential	150			mV	Required for Full Output Swing
$V_{CM}$	Common Mode Voltage	$V_{CC} - 2.0$		$V_{CC} - 0.5$	V	
$I_{IH}$	Input HIGH Current			350	μA	$V_{IN} = V_{IH (Max)}$ , $D_0-D_5 = V_{BB}$ , $\overline{D_0}-\overline{D_5} = V_{IL (Min)}$
$I_{IL}$	Input LOW Current	0.5			μA	$V_{IN} = V_{IL (Min)}$ , $D_0-D_5 = V_{BB}$
$I_{OS}$	Output Short-Circuit Current	-150		-60	mA	$V_{OUT} = GND$ (Note 3)
$I_{EE}$	$V_{EE}$ Power Supply Current	-37	-27	-17	mA	$D_0-D_5 = V_{BB}$
$I_{TTL}$	$V_{TTL}$ Power Supply Current		45	65	mA	$D_0-D_5 = V_{BB}$

**Note 3:** Test one output at a time.

**Note 4:** The specified limits represent the "worst case" value for the parameter. Since these values normally occur at the temperature extremes, additional noise immunity and guardbanding can be achieved by decreasing the allowable system operating ranges. Conditions for testing shown in the tables are chosen to guarantee operation under "worst case" conditions.

### DIP AC Electrical Characteristics

$V_{EE} = -4.2V$  to  $-5.7V$ ,  $V_{CC} = GND$ ,  $V_{TTL} = +4.5V$  to  $+5.5V$

Symbol	Parameter	$T_C = 0°C$		$T_C = +25°C$		$T_C = +85°C$		Units	Conditions
		Min	Max	Min	Max	Min	Max		
$t_{PLH}$	Propagation Delay	0.80	3.50	0.90	3.70	1.00	4.00	ns	$C_L = 15$ pF
$t_{PHL}$	Data to Output								Figures 1, 2
$t_{PLH}$	Propagation Delay	1.60	4.30	1.70	4.50	1.80	4.80	ns	$C_L = 50$ pF
$t_{PHL}$	Data to Output								Figures 1, 3

## SOIC, PCC and Cerpak AC Electrical Characteristics

$V_{EE} = -4.2V$  to  $-5.7V$ ,  $V_{CC} = GND$ ,  $V_{TTL} = +4.5V$  to  $+5.5V$

Symbol	Parameter	$T_C = 0^\circ C$		$T_C = +25^\circ C$		$T_C = +85^\circ C$		Units	Conditions
		Min	Max	Min	Max	Min	Max		
$t_{PLH}$ $t_{PHL}$	Propagation Delay Data to Output	0.80	3.30	0.90	3.50	1.00	3.80	ns	$C_L = 15$ pF Figures 1, 2
$t_{PLH}$ $t_{PHL}$	Propagation Delay Data to Output	1.60	4.10	1.70	4.30	1.80	4.60	ns	$C_L = 50$ pF Figures 1, 3
$t_{OSHL}$	Maximum Skew Common Edge Output-to-Output Variation Data to Output Path		0.65		0.65		0.65	ns	PCC Only (Note 5)
$t_{OSLH}$	Maximum Skew Common Edge Output-to-Output Variation Data to Output Path		0.65		0.65		0.65	ns	PCC Only (Note 5)
$t_{OST}$	Maximum Skew Opposite Edge Output-to-Output Variation Data to Output Path		2.20		2.20		2.20	ns	PCC Only (Note 5)
$t_{PS}$	Maximum Skew Pin (Signal) Transition Variation Data to Output Path		2.10		2.10		2.10	ns	PCC Only (Note 5)

**Note 5:** Output-to-Output Skew is defined as the absolute value of the difference between the actual propagation delay for any outputs within the same packaged device. The specifications apply to any outputs switching in the same direction either HIGH to LOW ( $t_{OSHL}$ ), or LOW to HIGH ( $t_{OSLH}$ ), or in opposite directions both HL and LH ( $t_{OST}$ ). Parameters  $t_{OST}$  and  $t_{PS}$  guaranteed by design.

## Industrial Version

### PCC DC Electrical Characteristics

$V_{EE} = -4.2V$  to  $-5.7V$ ,  $V_{CC} = GND$ ,  $T_C = -40^\circ C$  to  $+85^\circ C$  (Note 7)

Symbol	Parameter	$T_C = -40^\circ C$		$T_C = 0^\circ C$ to $+85^\circ C$		Units	Conditions
		Min	Max	Min	Max		
$V_{BB}$	Output Reference Voltage	-1395	-1255	-1380	-1260	mV	$I_{VBB} = -2.1$ mA
$V_{IH}$	Single-Ended Input HIGH Voltage	-1170	-870	-1165	-870	mV	Guaranteed HIGH Signal for All Inputs (with One Input Tied to $V_{BB}$ )
$V_{IL}$	Single-Ended Input LOW Voltage	-1830	-1480	-1830	-1475	mV	Guaranteed LOW Signal for All Inputs (with One Input Tied to $V_{BB}$ )
$V_{OH}$	Output HIGH Voltage	2.5		2.5		V	$I_{OH} = -2.0$ mA
$V_{OL}$	Output LOW Voltage		0.5		0.5	V	$I_{OL} = 20$ mA
$V_{DIFF}$	Input Voltage Differential	150		150		mV	Required for Full Output Swing
$V_{CM}$	Common Mode Voltage	$V_{CC} - 2.0$	$V_{CC} - 0.5$	$V_{CC} - 2.0$	$V_{CC} - 0.5$	V	
$I_{IH}$	Input HIGH Current		450		350	$\mu A$	$V_{IN} = V_{IH} (Max)$ , $D_0-D_5 = V_{BB}$ $\bar{D}_0-\bar{D}_5 = V_{IL} (Min)$
$I_{IL}$	Input LOW Current	0.5		0.5		$\mu A$	$V_{IN} = V_{IL} (Min)$ , $D_0-D_5 = V_{BB}$
$I_{OS}$	Output Short-Circuit Current	-150	-60	-150	-60	mA	$V_{OUT} = GND$ (Note 6)
$I_{EE}$	$V_{EE}$ Power Supply Current	-37	-15	-37	-17	mA	$D_0-D_5 = V_{BB}$
$I_{TTL}$	$V_{TTL}$ Power Supply Current		65		65	mA	$D_0-D_5 = V_{BB}$

**Note 6:** Test one output at a time.

**Note 7:** The specified limits represent the "worst case" value for the parameter. Since these values normally occur at the temperature extremes, additional noise immunity and guardbanding can be achieved by decreasing the allowable system operating ranges. Conditions for testing shown in the tables are chosen to guarantee operation under "worst case" conditions.

## PCC AC Electrical Characteristics

$V_{EE} = -4.2V$  to  $-5.7V$ ,  $V_{CC} = GND$ ,  $V_{TTL} = +4.5V$  to  $+5.5V$

Symbol	Parameter	$T_C = -40^\circ C$		$T_C = +25^\circ C$		$T_C = +85^\circ C$		Units	Conditions
		Min	Max	Min	Max	Min	Max		
$t_{PLH}$	Propagation Delay	0.80	3.30	0.90	3.50	1.00	3.80	ns	$C_L = 15$ pF Figures 1, 2
$t_{PHL}$	Data to Output								
$t_{PLH}$	Propagation Delay	1.60	4.10	1.70	4.30	1.80	4.60	ns	$C_L = 50$ pF Figures 1, 3
$t_{PHL}$	Data to Output								

## Military Version

### DC Electrical Characteristics

$V_{EE} = -4.2V$  to  $-5.7V$ ,  $V_{CC} = V_{CCA} = GND$ ,  $T_C = -55^\circ C$  to  $+125^\circ C$ ,  $C_L = 50$  pF,  $V_{TTL} = +4.5V$  to  $+5.5V$

Symbol	Parameter	Min	Max	Units	$T_C$	Conditions	Notes	
$V_{BB}$	Output Reference Voltage	-1380	-1260	mV	$0^\circ C$ to $+125^\circ C$	$I_{V_{BB}} = -3$ $\mu A$ , $V_{EE} = -4.2V$	(Notes 8, 9, 10)	
					$-55^\circ C$	$I_{V_{BB}} = -2.1$ mA		
		-1396	-1260			$I_{V_{BB}} = -3$ mA		
$V_{IH}$	Input HIGH Voltage	-1165	-870	mV	$-55^\circ C$ to $+125^\circ C$	Guaranteed HIGH Signal for All Inputs (with One Input Tied to $V_{BB}$ )	(Notes 8, 9, 10, 11)	
$V_{IL}$	Input LOW Voltage	-1830	-1475	mV	$-55^\circ C$ to $+125^\circ C$	Guaranteed LOW Signal for All Inputs (with One Input Tied to $V_{BB}$ )	(Notes 8, 9, 10, 11)	
$V_{OH}$	Output HIGH Voltage	2.5		mV	$0^\circ C$ to $+125^\circ C$	$I_{OH} = -2.0$ mA	$V_{IN} = V_{IH (Max)}$ or $V_{IL (Min)}$	(Notes 8, 9, 10)
		2.4			$-55^\circ C$			
$V_{OL}$	Output LOW Voltage		0.5	mV	$-55^\circ C$ to $+125^\circ C$	$I_{OL} = 20$ mA		
$V_{DIFF}$	Input Voltage Differential	150		mV	$-55^\circ C$ to $+125^\circ C$	Required for Full Output Swing	(Notes 8, 9, 10)	
$V_{CM}$	Common Mode Voltage	-2000	-500	mV	$-55^\circ C$ to $+125^\circ C$		(Notes 8, 9, 10, 11)	
$I_{IH}$	Input HIGH Current		350	$\mu A$	$0^\circ C$ to $+125^\circ C$	$V_{IN} = V_{IH (Max)}$ , $D_0-D_5 = V_{BB}$ , $\bar{D}_0-\bar{D}_5 = V_{IL (Min)}$	(Notes 8, 9, 10)	
			500		$-55^\circ C$			
$I_{IL}$	Input LOW Current	0.50		$\mu A$	$-55^\circ C$ to $+125^\circ C$	$V_{IN} = V_{IL (Min)}$ , $D_0-D_5 = V_{BB}$	(Notes 8, 9, 10)	
$I_{OS}$	Output Short Circuit Current	-150	-60	mA	$-55^\circ C$ to $+125^\circ C$	$V_{OUT} = GND$ Test One Output at a Time	(Notes 8, 9, 10)	
$I_{CEX}$	Output HIGH Leakage Current		250	$\mu A$	$-55^\circ C$ to $+125^\circ C$	$V_{OUT} = 5.5V$	(Notes 8, 9, 10)	
$I_{EE}$	$V_{EE}$ Power Supply Current	-35	-12	mA	$-55^\circ C$ to $+125^\circ C$	$D_0-D_5 = V_{BB}$	(Notes 8, 9, 10)	
$I_{TTL}$	$V_{TTL}$ Power Supply Current		65	mA	$-55^\circ C$ to $+125^\circ C$	$D_0-D_5 = V_{BB}$	(Notes 8, 9, 10)	

**Note 8:** F100K 300 Series cold temperature testing is performed by temperature soaking (to guarantee junction temperature equals  $-55^\circ C$ ), then testing immediately without allowing for the junction temperature to stabilize due to heat dissipation after power-up. This provides "cold start" specs which can be considered a worst case condition at cold temperatures.

**Note 9:** Screen tested 100% on each device at  $-55^\circ C$ ,  $+25^\circ C$ , and  $+125^\circ C$ , Subgroups 1, 2, 3, 7, and 8.

**Note 10:** Sample tested (Method 5005, Table I) on each manufactured lot at  $-55^\circ C$ ,  $+25^\circ C$ , and  $+125^\circ C$ , Subgroups A1, 2, 3, 7, and 8.

**Note 11:** Guaranteed by applying specified input condition and testing  $V_{OH}/V_{OL}$ .

## AC Electrical Characteristics

$V_{EE} = -4.2V$  to  $-5.7V$ ,  $V_{CC} = GND$ ,  $V_{TTL} = +4.5V$  to  $+5.5V$

Symbol	Parameter	$T_C = -55^\circ C$		$T_C = +25^\circ C$		$T_C = +125^\circ C$		Units	Conditions	Notes
		Min	Max	Min	Max	Min	Max			
$t_{PLH}$	Propagation Delay	1.50	5.00	1.60	4.70	1.70	5.70	ns	$C_L = 50$ pF Figures 1, 3	(Notes 12, 13, 14)
$t_{PHL}$	Data to Output									

**Note 12:** F100K 300 Series cold temperature testing is performed by temperature soaking (to guarantee junction temperature equals  $-55^\circ C$ ), then testing immediately after power-up. This provides "cold start" specs which can be considered a worst case condition at cold temperatures.

**Note 13:** Screen tested 100% on each device at  $+25^\circ C$ , temperature only, Subgroup A9.

**Note 14:** Sample tested (Method 5005, Table I) on each manufactured lot at  $+25^\circ C$ , Subgroup A9, and at  $+125^\circ C$  and  $-55^\circ C$  temperatures, Subgroups A10 and A11.

## AC Electrical Characteristics (Continued)

Note 15: Not tested at +25°C, +125°C, and -55°C temperature (design characterization data).

### Switching Waveform

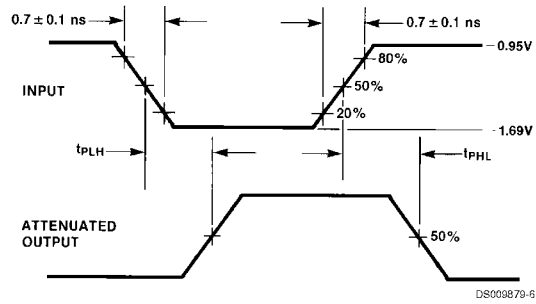
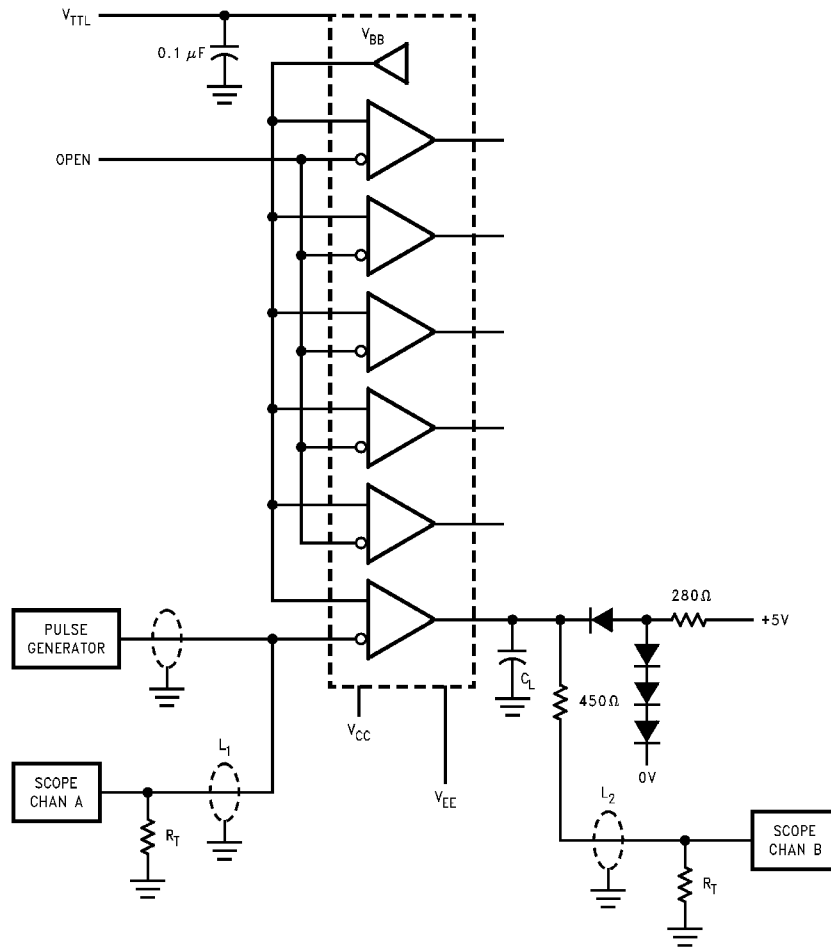


FIGURE 1. Propagation Delay

## Test Circuits



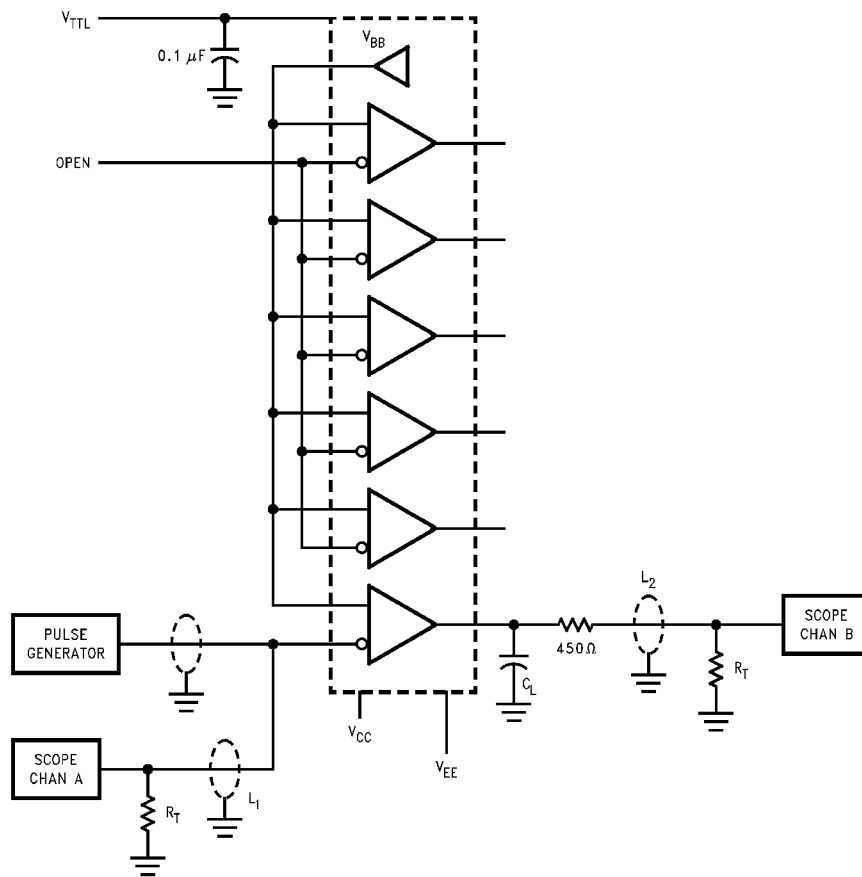
DS009879-5

### Notes:

$V_{CC} = 0V$ ,  $V_{EE} = -4.5V$ ,  $V_{TTL} = +5V$   
 $L1$  and  $L2$  = equal length  $50\Omega$  impedance lines  
 $R_T = 50\Omega$  terminator internal to scope  
 Decoupling  $0.1 \mu F$  from GND to  $V_{CC}$ ,  $V_{EE}$  and  $V_{TTL}$   
 All unused outputs are loaded with  $500\Omega$  to GND  
 $C_L$  = Fixture and stray capacitance =  $15 pF$

FIGURE 2. AC Test Circuit for 15 pF Loading

### Test Circuits (Continued)



DS000879-8

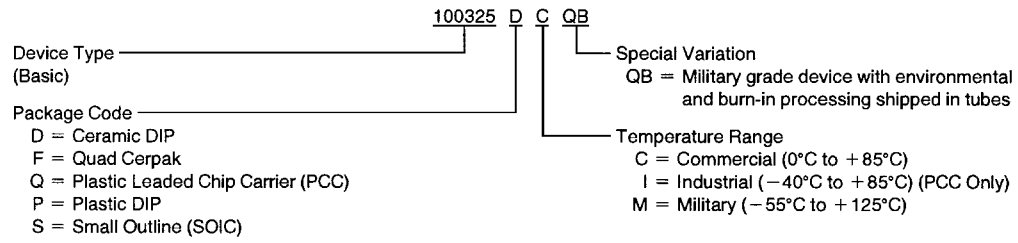
**Notes:**  
 $V_{CC} = 0V$ ,  $V_{EE} = -4.5V$ ,  $V_{TTL} = +5V$   
 $L1$  and  $L2$  = equal length  $50\Omega$  impedance lines  
 $R_T$  =  $50\Omega$  terminator internal to scope  
 Decoupling  $0.1\ \mu F$  from GND to  $V_{CC}$ ,  $V_{EE}$  and  $V_{TTL}$   
 All unused outputs are loaded with  $500\Omega$  to GND  
 $C_L$  = Fixture and stray capacitance =  $50\ pF$

**FIGURE 3. AC Test Circuit for 50 pF Loading**

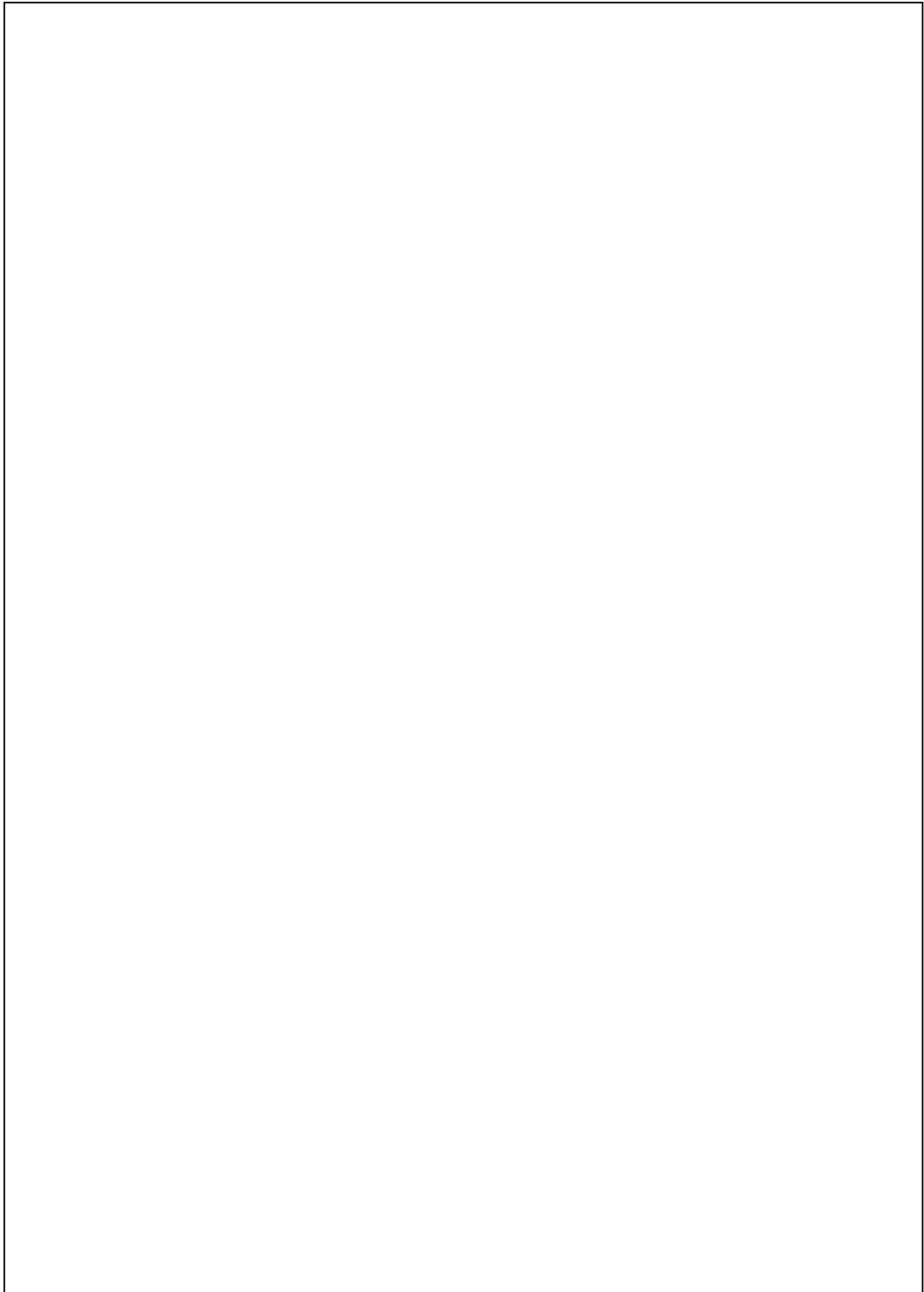


## Ordering Information

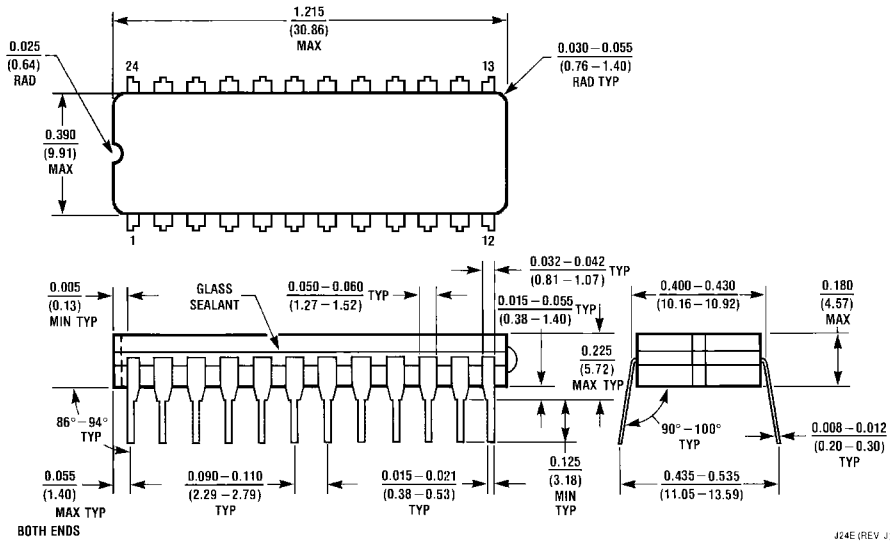
The device number is used to form part of a simplified purchasing code where a package type and temperature range are defined as follows:



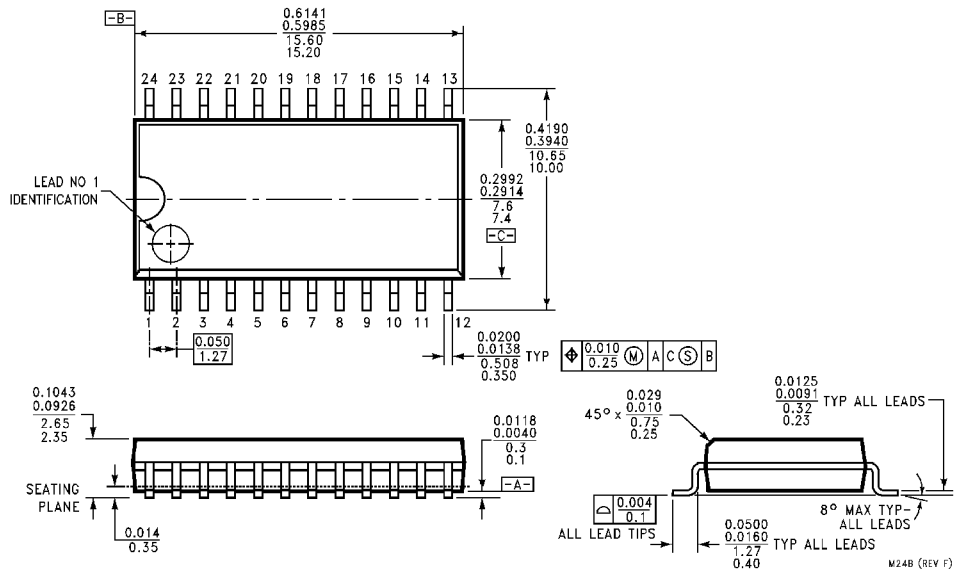
DS009879-9



**Physical Dimensions** inches (millimeters) unless otherwise noted

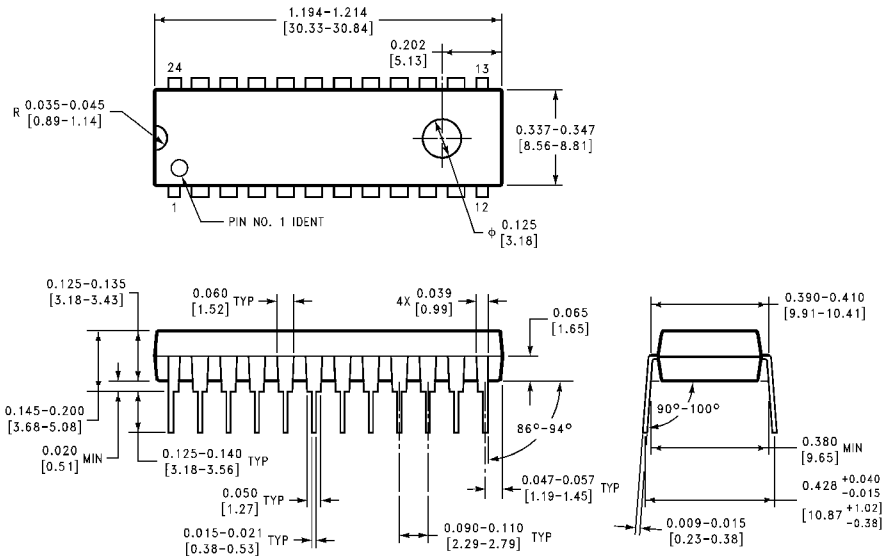


**24 Lead Ceramic Dual-In-Line Package (0.400" Wide) (D)**  
Package Number J24E



**24 Lead Package (S)**  
Package Number M24B

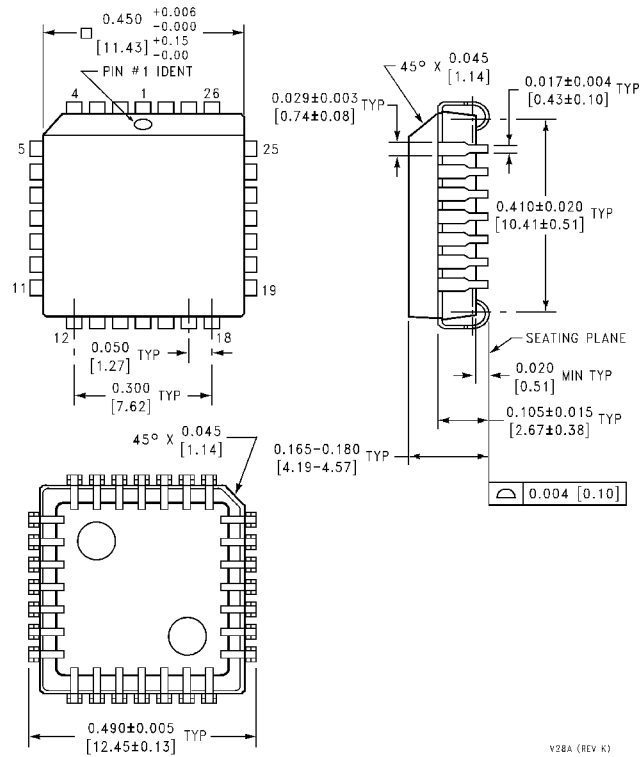
**Physical Dimensions** inches (millimeters) unless otherwise noted (Continued)



**24 Lead Plastic DIP Package (P)**  
**Package Number N24E**

N24E (REV A)

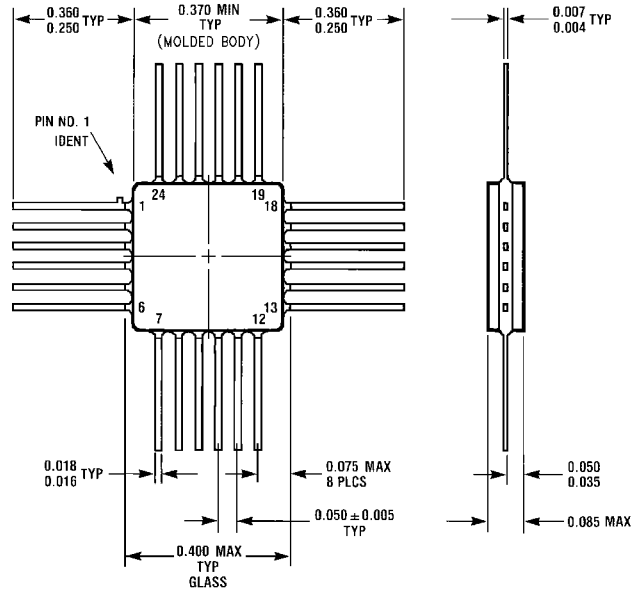
**Physical Dimensions** inches (millimeters) unless otherwise noted (Continued)



**28 Lead Plastic Chip Carrier (Q)  
Package Number V28A**

V28A (REV K)

**Physical Dimensions** inches (millimeters) unless otherwise noted (Continued)



W24B (REV D)

**24 Lead Quad Cerpak (F)  
Package Number W24B**

**LIFE SUPPORT POLICY**

FAIRCHILD'S PRODUCTS ARE NOT AUTHORIZED FOR USE AS CRITICAL COMPONENTS IN LIFE SUPPORT DEVICES OR SYSTEMS WITHOUT THE EXPRESS WRITTEN APPROVAL OF THE PRESIDENT OF FAIRCHILD SEMICONDUCTOR CORPORATION. As used herein:

1. Life support devices or systems are devices or systems which, (a) are intended for surgical implant into the body, or (b) support or sustain life, and (c) whose failure to perform when properly used in accordance with instructions for use provided in the labeling, can be reasonably expected to result in a significant injury to the user.
2. A critical component in any component of a life support device or system whose failure to perform can be reasonably expected to cause the failure of the life support device or system, or to affect its safety or effectiveness.

Fairchild Semiconductor Corporation  
Americas  
Customer Response Center  
Tel: 1-888-522-5372

Fairchild Semiconductor Europe  
Fax: +49 (0) 1 80-530 85 86  
Email: europe.support@nsc.com  
Deutsch Tel: +49 (0) 8 141-35-0  
English Tel: +44 (0) 1 793-85-68-56  
Italy Tel: +39 (0) 2 57 5631

Fairchild Semiconductor Hong Kong Ltd.  
13th Floor, Straight Block,  
Ocean Centre, 5 Canton Rd.  
Tsimshatsui, Kowloon  
Hong Kong  
Tel: +852 2737-7200  
Fax: +852 2314-0061

National Semiconductor Japan Ltd.  
Tel: 81-3-5620-6175  
Fax: 81-3-5620-6179

www.fairchildsemi.com