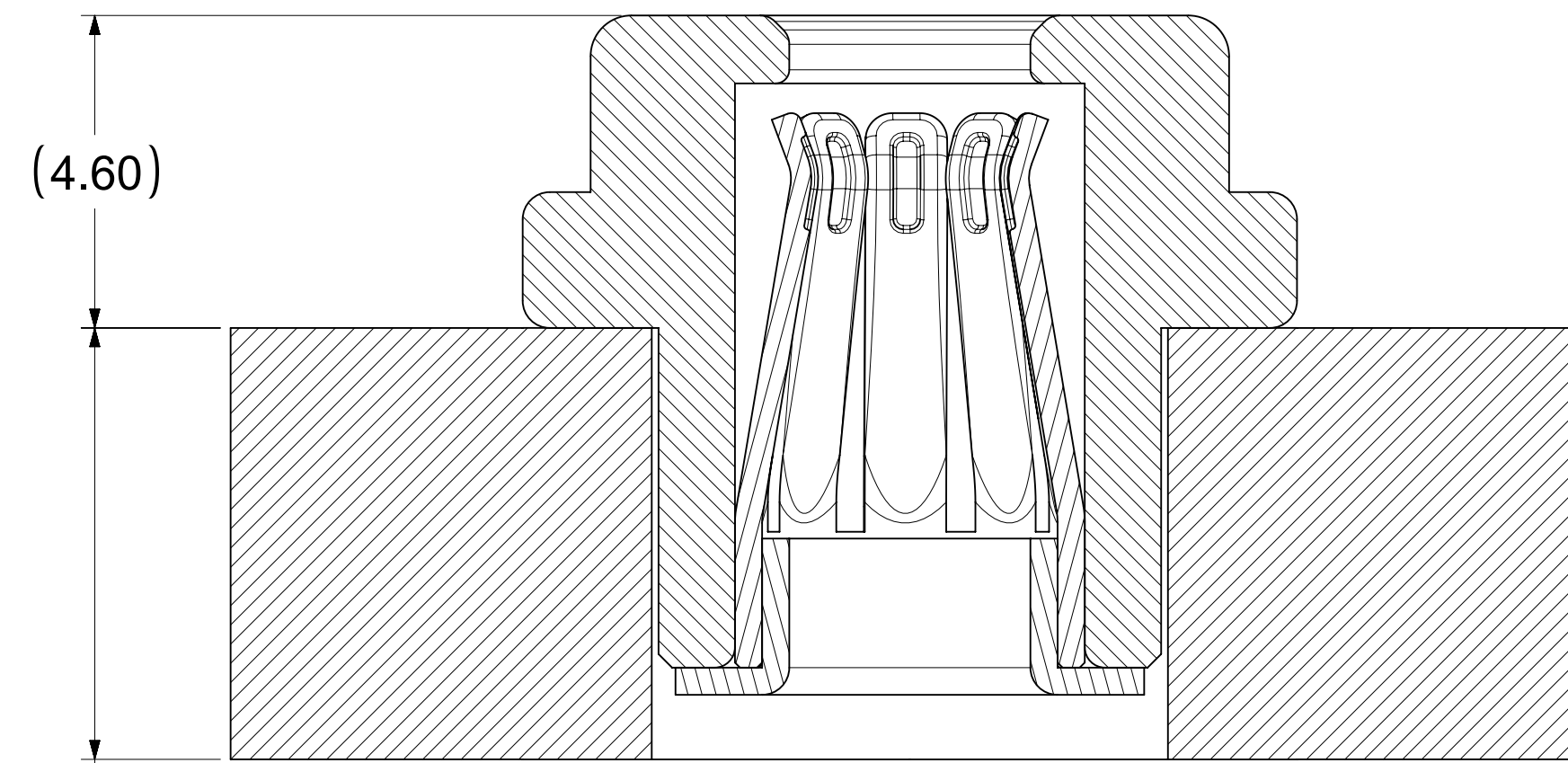
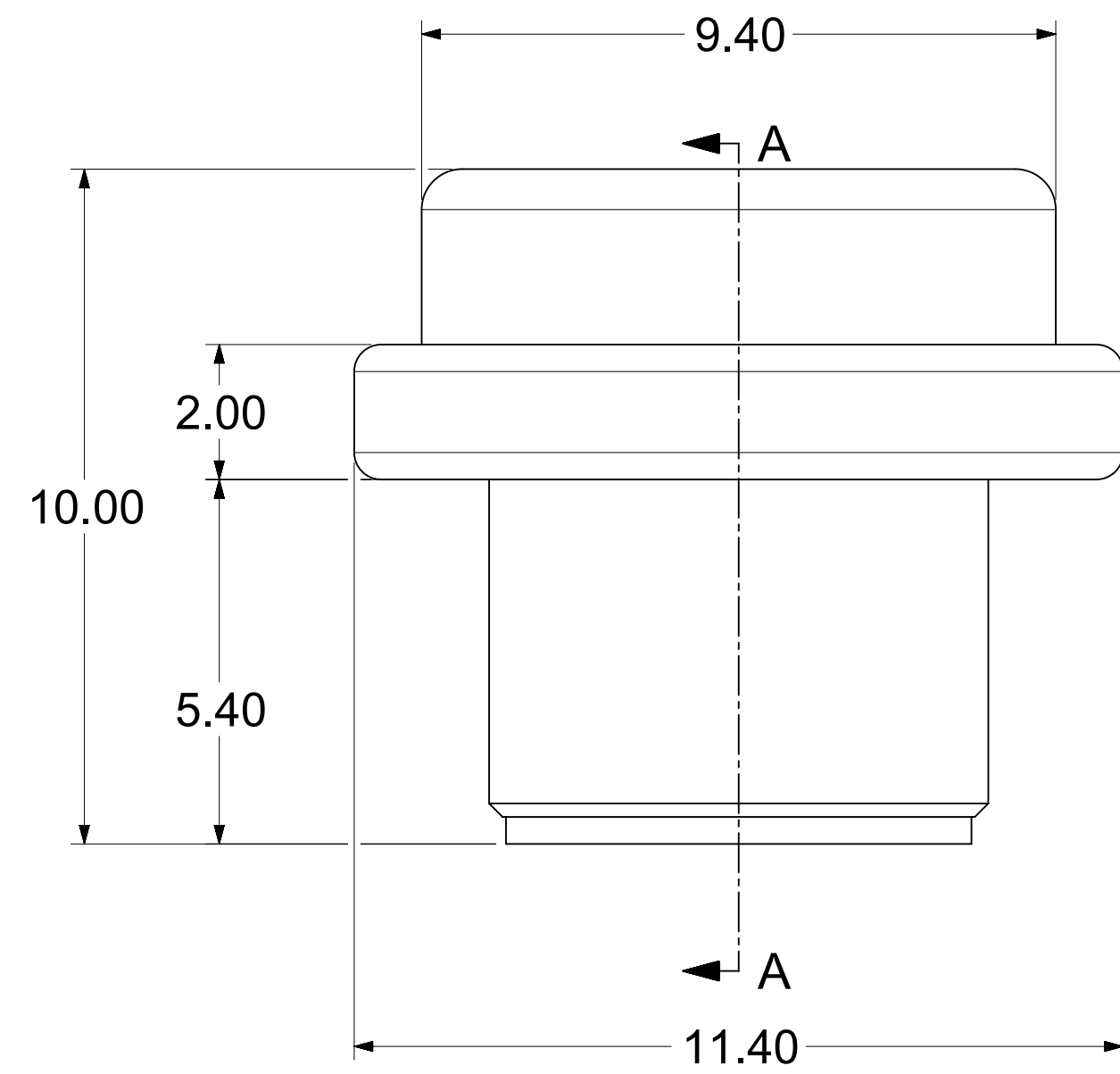


MATING PROFILE

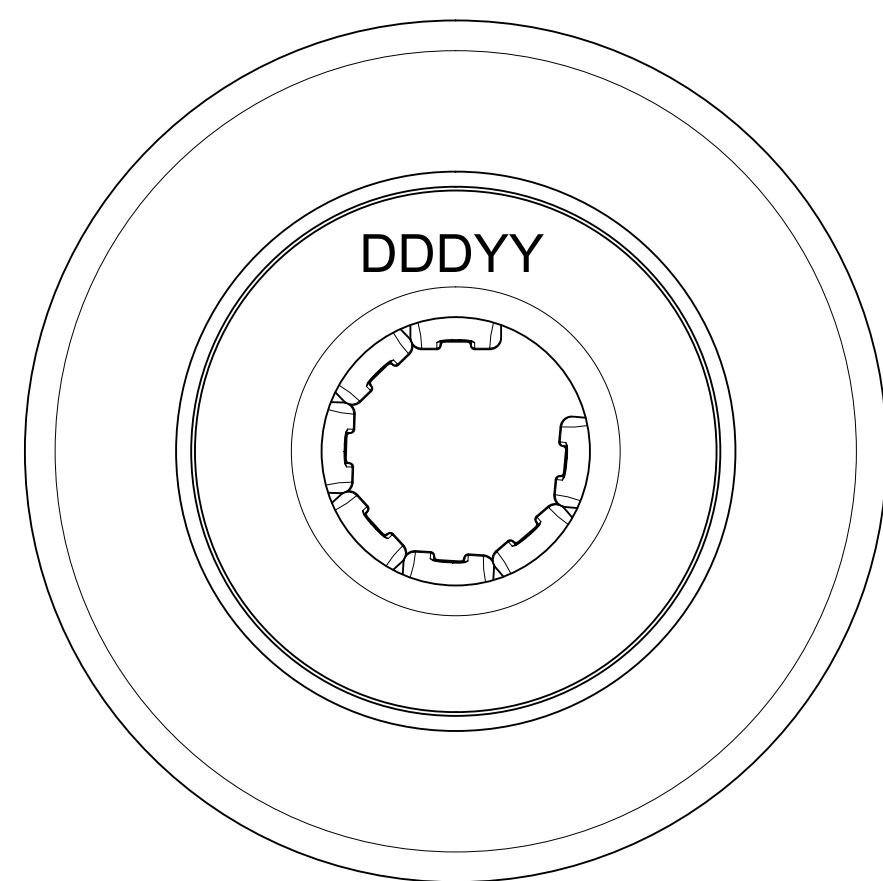


6.35 SHOWN
(1.58MM MINIMUM RECOMMENDED
PCB THICKNESS)

SECTION A-A

NOTES:

1. MATERIALS:
 RETENTION CAP: STAINLESS STEEL
 PICK AND PLACE CAP: LCP UL94, V-0 COLOR BLACK
 BASE METAL: HIGH CONDUCTIVE COPPER ALLOY
 PLATING ON CONTACTS: 0.75 MICRON MIN GOLD OVER 1.27 MICRON MIN NICKEL
 PLATING ON BODY: 3.18 MICRON MIN SILVER OVER 1.27 MICRON MIN NICKEL
2. MATES WITH THE STANDARD PIN DRAWINGS:
 - i. 3.4MM SMT DRAWING 2032631134-SD, MIN. MATE DISTANCE 7.35MM
 - ii. 3.4MM PRESS FIT DRAWING 2032630034-SD, MIN. MATE DISTANCE 7.10MM
 - iii. 3.4MM SCREW MOUNT DRAWING 2032638034-SD, MIN. MATE DISTANCE 10.10MM
3. PRODUCT SPECIFICATION: 2043130018-PS
4. APPLICATION SPECIFICATION: 2043130018-AS.
SEE APPLICATION SPEC FOR SOLDERING INFORMATION.
5. PACKAGING SPECIFICATION: 2121940018-PK.
6. SILVER COMPONENTS WILL BE SUPPLIED TARNISH FREE BUT MAY TARNISH OVER TIME.
7. PICK AND PLACE CAP TO BE REMOVED AFTER SOLDERING
8. DATE CODE TO BE LASER MARKED APPROXIMATELY WHERE SHOWN USING DDDYY FORMAT



THIS DRAWING CONTAINS INFORMATION THAT IS PROPRIETARY TO MOLEX ELECTRONIC TECHNOLOGIES, LLC AND SHOULD NOT BE USED WITHOUT WRITTEN PERMISSION											
DIMENSION UNITS	SCALE	CURRENT REV DESC: UPDATED THE TITLE BLOCK									
mm	NTS	molex									
GENERAL TOLERANCES (UNLESS SPECIFIED)		3.4MM SENTRALITY TOP ENTRY SMT STANDARD SOCKET IN T&R									
ANGULAR TOL ± 0.5°		PRODUCT CUSTOMER DRAWING									
4 PLACES ±		EC NO: 747243		2023/02/28		DOCUMENT NUMBER		DOC TYPE		REVISION	
3 PLACES ±		DRWN: SACHIK7		2023/04/25		2121940018-SD		PSD		000 B2	
2 PLACES ± 0.15		CHK'D: SCS02		2023/04/26							
1 PLACE ± 0.25		APPR: HTHYAGARAJ		2023/04/26		MATERIAL NUMBER		CUSTOMER		SHEET NUMBER	
0 PLACES ±		INITIAL REVISION:		2019/05/17		2121940018		GENERAL MARKET		1 OF 1	
DRAFT WHERE APPLICABLE MUST REMAIN WITHIN DIMENSIONS		THIRD ANGLE PROJECTION		DRAWING		SERIES		MATERIAL NUMBER		CUSTOMER	
				D-SIZE		212194					