



Part Number : [1060520030](#)

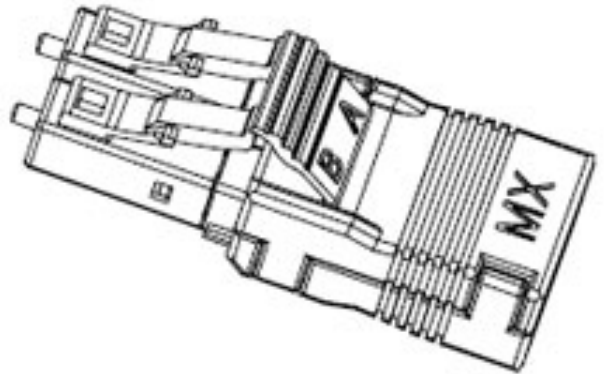
Product Description : LC Loopback,
Singlemode, 9/125µm Fiber

Series Number : 106052

Status : Active

Product Category : Fiber Optic Cable
Assemblies

Engineering Number : 860520030



Documents & Resources

Drawings

[Drawing 1060520030_sd.pdf](#)

Product Environment Compliance

Compliance

GADSL/IMDS	Not Relevant
China RoHS	
EU ELV	Not Relevant
Low-Halogen Status	Not Low-Halogen per IEC 61249-2-21
REACH SVHC	Not Contained per D(2022)4187-DC (10 June 2022)
EU RoHS	Compliant per EU 2015/863

Multiple Part Product Compliance Statements

- Eu RoHS
- REACH SVHC
- Low-Halogen

Multiple Part Industry Compliance Documents

- IPC 1752A Class C
- IPC 1752A Class D
- Molex Product Compliance Declaration
- IEC-62474
- chemSHERPA (xml)

Part Details

General

Status	Active
Category	Fiber Optic Cable Assemblies
Series	106052
Description	LC Loopback, Singlemode, 9/125µm Fiber
Comments	One Piece
Connector to Connector	LC-to-LC
Mode	Singlemode
Product Family	LC Connectors, Adapters and Cable Assemblies
Product Name	LC
UPC	822350267168

Physical

Boot Type	N/A
Cable Length	LOOPBACK
Cable Size	250µm
Fiber (Core/Cladding)	9/125µm
Net Weight	2.422/g
Single Ended	No
Wire/Cable Type	Simplex

Solder Process Data

Lead-Free Process Capability	N/A
------------------------------	-----