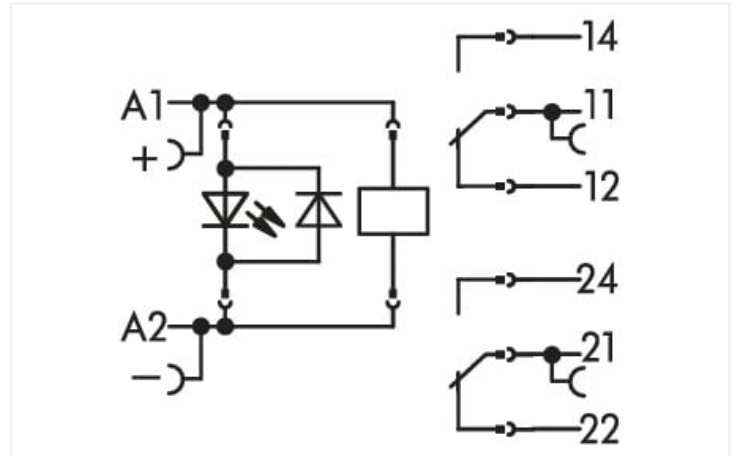
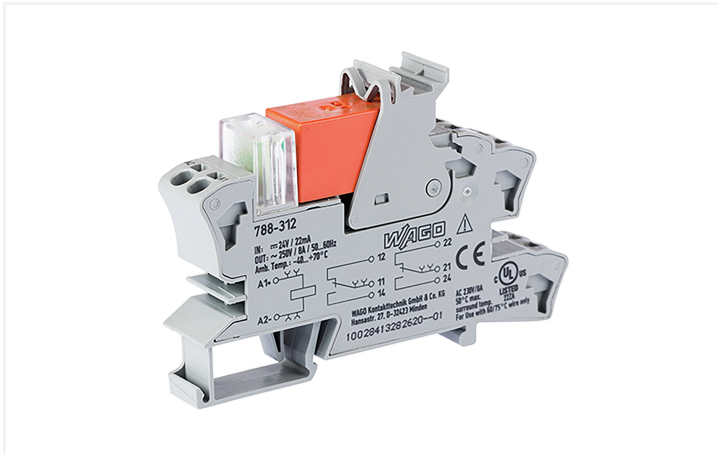


Data Sheet | Item Number: 788-312

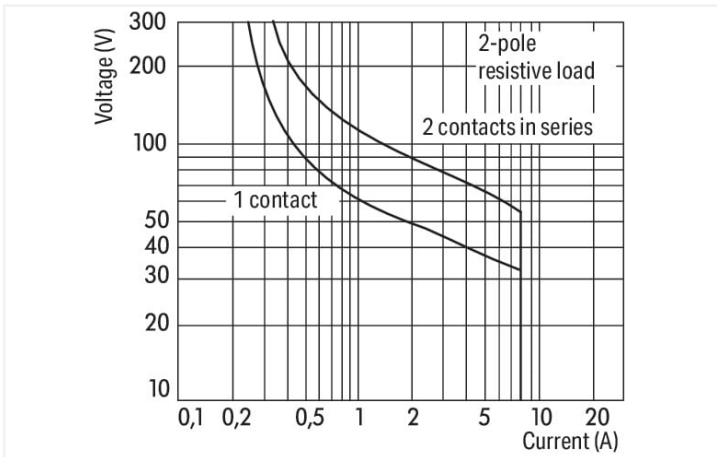
Relay module; Nominal input voltage: 24 VDC; 2 changeover contacts; Limiting continuous current: 8 A; Red status indicator; Module width: 15 mm; 2,50 mm²; gray



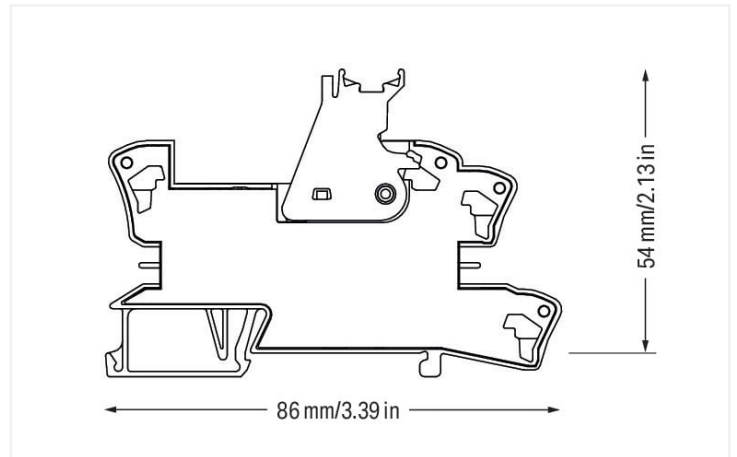
<https://www.wago.com/788-312>



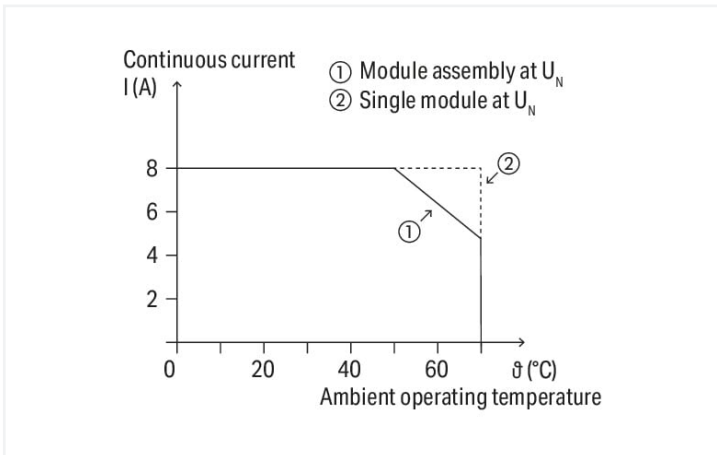
Color: ■ gray



DC load limit curve



Dimensions in mm



Current-carrying capacity curve

Notes

Safety information	A separator plate (e.g., 209-191) must be used for voltages greater than 250 V between adjacent relay modules and for compliance with the reinforced insulation requirements.
Note	Reinforced insulation between coil and contacts To protect the relay coils and contacts, inductive loads must be dampened with an effective protection circuit.

Technical data

Control circuit

Nominal input voltage U_N	DC 24 V
Input voltage range	$\pm 10\%$
Nominal input current at U_N	19 mA

Load circuit

Number of changeover/switchover contacts	2
Contact material (relay)	AgNi 90/10
Limiting continuous current	8 A
Inrush current (resistive) max.	(AC) 15 A / 4 s
Switching voltage (max.)	AC 250 V
Switching power (resistive) max.	AC 2000 VA; DC (see load limit curve)
Switching capacity	AC-15: 3 A / AC 250 V; DC-13: 2 A / DC 24 V
Recommended minimum load	12 V / 10 mA
Pull-in time (typ.)	8 ms
Drop-out time (typ.)	13 ms
Bounce time (typ.)	10 ms
Electrical life (NO; resistive load; 23 °C)	10×10^3 switching operations
Mechanical life	30×10^6 switching operations
Switching frequency with/without load (max.)	6 min^{-1} / 1200 min^{-1}

Signaling

Status indicator	Red LED
------------------	---------

Safety and protection

Rated voltage	250 V
Rated surge voltage	4 kV
Pollution degree	3
Dielectric strength (control/load circuit) (AC, 1 min)	5 kVrms
Dielectric strength (open contact) (AC, 1 min)	1 kVrms
Dielectric strength (load/load circuit) (AC, 1 min)	2.5 kVrms
Safety information	A separator plate (e.g., 209-191) must be used for voltages greater than 250 V between adjacent relay modules and for compliance with the reinforced insulation requirements.
Protection type	IP20

Connection data

Connection technology	Push-in CAGE CLAMP®
Solid conductor	0.34 ... 2.5 mm ² / 22 ... 14 AWG
Fine-stranded conductor	0.34 ... 2.5 mm ² / 22 ... 14 AWG
Strip length	9 ... 10 mm / 0.35 ... 0.39 inches

Physical data

Width	15 mm / 0.591 inches
Height	86 mm / 3.386 inches
Depth from upper-edge of DIN-rail	54 mm / 2.126 inches

Mechanical data

Mounting type	DIN-35 rail
---------------	-------------

Material data

Color	gray
Fire load	1.357 MJ
Weight	45.5 g

Environmental requirements

Ambient temperature (operation at U_N)	-40 ... +70 °C
Ambient temperature UL (operation at U_N)	-40 ... +50 °C
Ambient temperature (storage)	-40 ... +70 °C
Processing temperature	-25 ... +50 °C
Temperature range of connection cable	$\geq (T_{\text{ambient}} + 20 \text{ K})$

Standards and specifications

Standards/specifications	EN 61010-2-201 EN 61810-1 EN 61373 UL 508
--------------------------	----------------------------------------------------

Basic relay

WAGO Basic Relay	788-156
------------------	---------

Commercial data

Product Group	6 (INTERFACE ELECTRONIC)
eCl@ss 10.0	27-37-16-01
eCl@ss 9.0	27-37-16-01
ETIM 8.0	EC001437
ETIM 7.0	EC001437
PU (SPU)	20 (1) pcs
Packaging type	Box
Country of origin	CN
GTIN	4055143184137
Customs tariff number	85364900990

Environmental Product Compliance

CAS-No.	80-05-7
REACH Candidate List Substance	4,4'-isopropylidenediphenol
RoHS Compliance Status	Compliant, No Exemption
SCIP notification number (Austria)	24d2c028-d78a-47d5-854b-7e27c80364cd
SCIP notification number (Belgium)	5ac37397-baae-4e58-a3d3-61435578db9f
SCIP notification number (Bulgaria)	de1cb4da-97c0-4008-9269-da951ab1ef16
SCIP notification number (Czech Republic)	c403f750-ef31-42a4-aad9-12e1c6f4fe05
SCIP notification number (Denmark)	08d49e8e-6e93-4346-8e74-784ca6f59bef
SCIP notification number (Finland)	d1c1e038-ca63-45b9-b8ad-df061b16ed25
SCIP notification number (France)	853c5f70-bd31-4f01-9c72-acb268d802cd
SCIP notification number (Germany)	29efa91e-de52-404a-a3b5-7a02ea50bbb5
SCIP notification number (Hungary)	05ecf633-f69c-4fac-b89c-9c17adcb3af3
SCIP notification number (Italy)	d0c19709-ee3b-4706-ba8a-2fcbb782cda1
SCIP notification number (Netherlands)	d263f759-daa0-4cac-a565-b787a6062566
SCIP notification number (Poland)	252526f9-7a88-4d6b-b7b5-7ba6d6981d94
SCIP notification number (Romania)	d9b9f293-6b25-417a-96e3-84fe7cee93b2
SCIP notification number (Sweden)	522525c4-ff5a-471a-bb93-f6be7d85275a

Approvals / Certificates

General approvals			Declarations of conformity and manufacturer's declarations		
Approval	Standard	Certificate Name	Approval	Standard	Certificate Name
EAC Brjansker Zertifizierungsstelle	TP TC 004/2011	EAC RU C-DE.AM02. B.00122/19	EU-Declaration of Conformity WAGO GmbH & Co. KG	-	-
UL Underwriters Laboratories Inc. (ORDINARY LOCATIONS)	UL 508	E175199 Vol.1 Sec.6	UK-Declaration of Conformity WAGO GmbH & Co. KG	-	-

Downloads





Environmental Product Compliance

Compliance Search	
Environmental Product Compliance 788-312	↓

Documentation

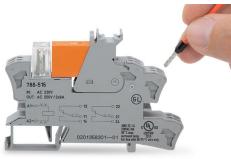
Bid Text				Instruction Leaflet			
788-312	25.01.2019	docx 16.40 KB	↓	Sockets with Elementary Relay/ SSR	V 1.0.1 09.10.2020	pdf 2271.22 KB	↓
788-312	19.02.2019	xml 4.60 KB	↓				
ausschreiben.de 788-312	↓						

CAD/CAE-Data

CAD data	CAE data
2D/3D Models 788-312 	EPLAN Data Portal 788-312 
	WSCAD Universe 788-312 
	ZUKEN Portal 788-312 

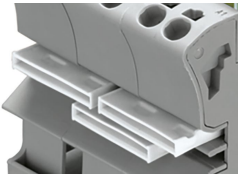
Installation Notes

Conductor termination



Conductor termination

Commoning



Easy commoning using adjacent jumpers

Marking



Marking using WMB Multi markers and group marker carriers.