

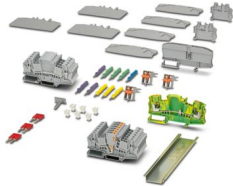
UTME 6-SET POWER 1 - Starter kit



3036001

<https://www.phoenixcontact.com/us/products/3036001>

Please be informed that the data shown in this PDF document is generated from our online catalog. Please find the complete data in the user documentation. Our general terms of use for downloads are valid.



Starter kit - consisting of test disconnect terminal blocks with screw connection technology, marking material, bridging and test accessories. A terminal strip for a three-phase transformer circuit (current and voltage) can be configured individually.

Commercial data

Item number	3036001
Packing unit	1 pc
Minimum order quantity	1 pc
Sales key	BE01
Product key	BE1133
GTIN	4055626345451
Weight per piece (including packing)	674.8 g
Weight per piece (excluding packing)	674 g
Customs tariff number	85369010
Country of origin	DE

UTME 6-SET POWER 1 - Starter kit



3036001

<https://www.phoenixcontact.com/us/products/3036001>

Set consists of

UTME 6 - Test disconnect terminal block

3047400

<https://www.phoenixcontact.com/us/products/3047400>

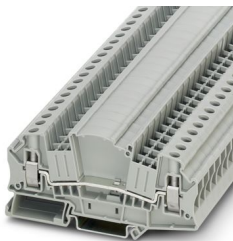


Test disconnect terminal block, nom. voltage: 500 V, nominal current: 30 A, 1 level, connection method: Screw connection, Rated cross section: 6 mm², cross section: 0.2 mm² - 10 mm², mounting: NS 35/7,5, NS 35/15, color: gray

UTMED 6 - Feed-through terminal block

3047413

<https://www.phoenixcontact.com/us/products/3047413>



Feed-through terminal block, nom. voltage: 500 V, nominal current: 41 A, number of connections: 2, connection method: Screw connection, Rated cross section: 6 mm², cross section: 0.2 mm² - 10 mm², mounting type: NS 35/7,5, NS 35/15, color: gray

UTME 6-SET POWER 1 - Starter kit



3036001

<https://www.phoenixcontact.com/us/products/3036001>

UTMED 6-PE - Ground terminal

3047442

<https://www.phoenixcontact.com/us/products/3047442>



Ground terminal, number of connections: 2, connection method: Screw connection, cross section: 0.2 mm² - 10 mm², mounting type: NS 35/7,5, NS 35/15, color: green-yellow

D-UTME 6 - End cover

3047426

<https://www.phoenixcontact.com/us/products/3047426>

End cover, depth: 49.6 mm, width: 2.2 mm, height: 100.8 mm, color: gray



UTME 6-SET POWER 1 - Starter kit

3036001

<https://www.phoenixcontact.com/us/products/3036001>



ATP-URTK/SP - Partition plate

0311139

<https://www.phoenixcontact.com/us/products/0311139>

Partition plate, depth: 64 mm, width: 2 mm, height: 99 mm, color: gray



CARRIER 35-8 - Partition plate

3034387

<https://www.phoenixcontact.com/us/products/3034387>

Partition plate, With storage option for FBS...-8 and PAI 4-FIX, material: PA, color: gray



UTME 6-SET POWER 1 - Starter kit



3036001

<https://www.phoenixcontact.com/us/products/3036001>

SB-ME 2-8 - Bridge bar

3034468

<https://www.phoenixcontact.com/us/products/3034468>



Bridge bar, pitch: 8.2 mm, number of positions: 2, length: 25 mm, color: gray/orange

FBS 2-8 - Plug-in bridge

3030284

<https://www.phoenixcontact.com/us/products/3030284>



Plug-in bridge, pitch: 8.2 mm, number of positions: 2, color: red

UTME 6-SET POWER 1 - Starter kit



3036001

<https://www.phoenixcontact.com/us/products/3036001>

PAI-4-FIX YE - Test adapter

3032745

<https://www.phoenixcontact.com/us/products/3032745>



Test adapter, Touch proof against unintentional direct contact according to DIN EN 50274 when plugged in, for 4 mm test plug and terminal blocks with 8.2 mm pitch, number of positions: 1, color: yellow

PAI-4-FIX GN - Test adapter

3032758

<https://www.phoenixcontact.com/us/products/3032758>



Test adapter, Touch proof against unintentional direct contact according to DIN EN 50274 when plugged in, for 4 mm test plug and terminal blocks with 8.2 mm pitch, number of positions: 1, color: green

UTME 6-SET POWER 1 - Starter kit



3036001

<https://www.phoenixcontact.com/us/products/3036001>

PAI-4-FIX VT - Test adapter

3032761

<https://www.phoenixcontact.com/us/products/3032761>



Test adapter, Touch proof against unintentional direct contact according to DIN EN 50274 when plugged in, for 4 mm test plug and terminal blocks with 8.2 mm pitch, number of positions: 1, color: violet

PAI-4-FIX BU - Test adapter

3032729

<https://www.phoenixcontact.com/us/products/3032729>



Test adapter, Touch proof against unintentional direct contact according to DIN EN 50274 when plugged in, for 4 mm test plug and terminal blocks with 8.2 mm pitch, number of positions: 1, color: blue

UTME 6-SET POWER 1 - Starter kit

3036001

<https://www.phoenixcontact.com/us/products/3036001>



S-ME 6 - Switching lock

3034439

<https://www.phoenixcontact.com/us/products/3034439>

Switching lock, width: 8.2 mm, height: 12 mm, color: white



CLIPFIX 35-5 - End bracket

3022276

<https://www.phoenixcontact.com/us/products/3022276>

Quick mounting end clamp for NS 35/7,5 DIN rail or NS 35/15 DIN rail, with marking option, with parking option for FBS...5, FBS...6, KSS 5, KSS 6, width: 5.15 mm, color: gray



UTME 6-SET POWER 1 - Starter kit



3036001

<https://www.phoenixcontact.com/us/products/3036001>

KLM 3 - Terminal strip marker carrier

0811969

<https://www.phoenixcontact.com/us/products/0811969>



Terminal strip marker carrier, adjustable height, for CLIPFIX 15, CLIPFIX 35, and CLIPFIX 35-5 end brackets, can be marked using labels in 20 x 8 mm format

UC-TM 8 - Marker for terminal blocks

0818072

<https://www.phoenixcontact.com/us/products/0818072>



Marker for terminal blocks, Sheet, white, unlabeled, can be labeled with: BLUEMARK ID COLOR, BLUEMARK ID, BLUEMARK CLED, PLOTMARK, CMS-P1-PLOTTER, mounting type: snapped, for terminal block width: 8.2 mm, lettering field size: 7.6 x 10.5 mm, Number of individual labels: 56

UTME 6-SET POWER 1 - Starter kit



3036001

<https://www.phoenixcontact.com/us/products/3036001>

Technical data

Notes

General	Quantity specifications on the set contents under downloads
---------	---

Product properties

Product type	Starter kit
--------------	-------------

Dimensions

Width	225 mm
Height	315 mm
Depth	65 mm

Material specifications

Static insulating material application in cold	-60 °C
Relative insulation material temperature index (Elec., UL 746 B)	130 °C
Fire protection for rail vehicles (DIN EN 45545-2) R22	HL 1 - HL 3
Fire protection for rail vehicles (DIN EN 45545-2) R23	HL 1 - HL 3
Fire protection for rail vehicles (DIN EN 45545-2) R24	HL 1 - HL 3
Fire protection for rail vehicles (DIN EN 45545-2) R26	HL 1 - HL 3
Surface flammability NFPA 130 (ASTM E 162)	passed
Specific optical density of smoke NFPA 130 (ASTM E 662)	passed
Smoke gas toxicity NFPA 130 (SMP 800C)	passed

Environmental and real-life conditions

Ambient conditions

Ambient temperature (operation)	-60 °C ... 110 °C (Operating temperature range incl. self-heating; for max. short-term operating temperature, see RTI Elec.)
Ambient temperature (storage/transport)	-25 °C ... 60 °C (for a short time, no longer than 24 h, -60°C to +70°C)
Ambient temperature (assembly)	-5 °C ... 70 °C
Ambient temperature (actuation)	-5 °C ... 70 °C
Permissible humidity (operation)	20 % ... 90 %
Permissible humidity (storage/transport)	30 % ... 70 %

Mounting

Mounting type	NS 35/7,5
	NS 35/15

UTME 6-SET POWER 1 - Starter kit

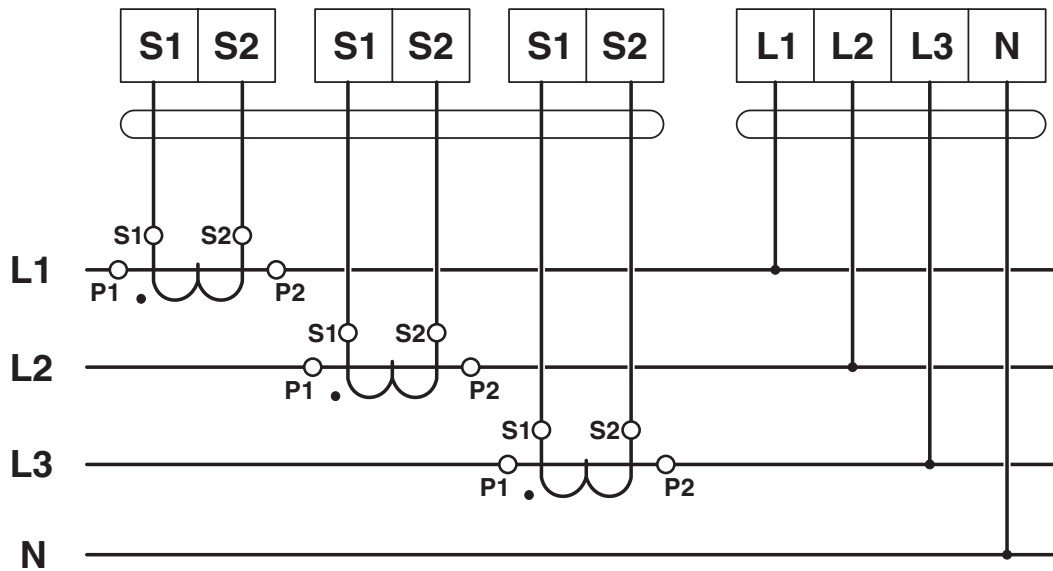


3036001

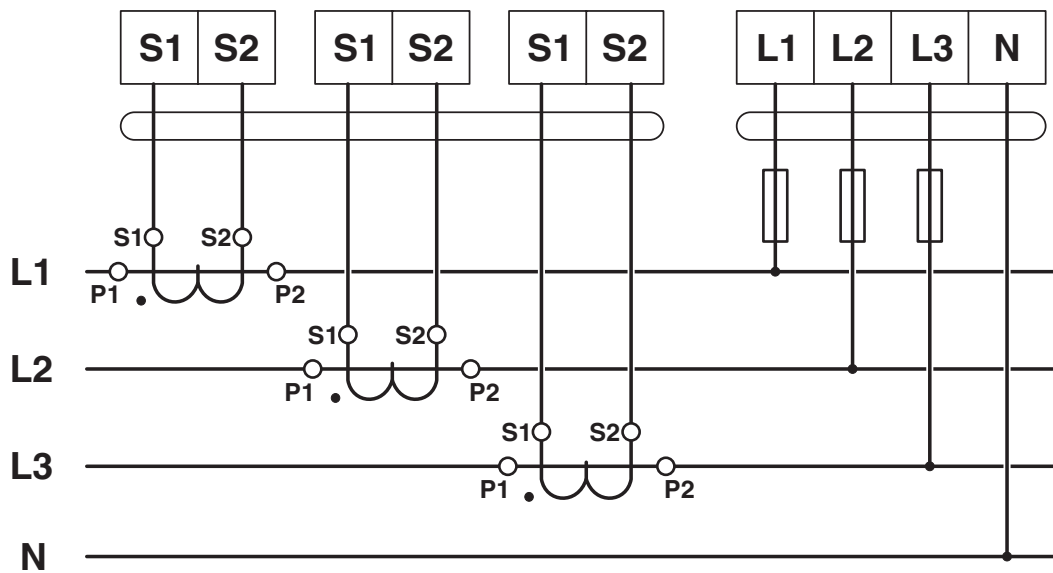
<https://www.phoenixcontact.com/us/products/3036001>

Drawings

Circuit diagram



Circuit diagram



UTME 6-SET POWER 1 - Starter kit



3036001

<https://www.phoenixcontact.com/us/products/3036001>

Approvals

To download certificates, visit the product detail page: <https://www.phoenixcontact.com/us/products/3036001>



EAC

Approval ID: RU C-DE.BL08.B.00534

UTME 6-SET POWER 1 - Starter kit



3036001

<https://www.phoenixcontact.com/us/products/3036001>

Classifications

ECLASS

ECLASS-11.0	27141190
ECLASS-13.0	27141190
ECLASS-12.0	27141190

ETIM

ETIM 9.0	EC002848
----------	----------

UNSPSC

UNSPSC 21.0	39121400
-------------	----------

UTME 6-SET POWER 1 - Starter kit



3036001

<https://www.phoenixcontact.com/us/products/3036001>

Environmental product compliance

EU RoHS

Fulfills EU RoHS substance requirements	Yes, No exemptions
---	--------------------

China RoHS

Environment friendly use period (EFUP)	EFUP-E
	No hazardous substances above the limits

EU REACH SVHC

REACH candidate substance (CAS No.)	No substance above 0.1 wt%
-------------------------------------	----------------------------

UTME 6-SET POWER 1 - Starter kit



3036001

<https://www.phoenixcontact.com/us/products/3036001>

Accessories

NS 35/ 7,5 PERF 2000MM - DIN rail perforated

0801733

<https://www.phoenixcontact.com/us/products/0801733>



DIN rail perforated, Pack of 25 (50 m), acc. to EN 60715, material: Steel, galvanized, passivated with a thick layer, Standard profile, color: silver

NS 35/ 7,5 UNPERF 2000MM - DIN rail, unperforated

0801681

<https://www.phoenixcontact.com/us/products/0801681>



DIN rail, unperforated, Pack of 25 (50 m), acc. to EN 60715, material: Steel, galvanized, passivated with a thick layer, Standard profile, color: silver

UTME 6-SET POWER 1 - Starter kit



3036001

<https://www.phoenixcontact.com/us/products/3036001>

NS 35/ 7,5 WH PERF 2000MM - DIN rail perforated

1204119

<https://www.phoenixcontact.com/us/products/1204119>



DIN rail perforated, Pack of 25 (50 m), acc. to EN 60715, material: Steel, Galvanized, white passivated, Standard profile, color: silver

NS 35/ 7,5 WH UNPERF 2000MM-VPE 10 - DIN rail, unperforated

1204122

<https://www.phoenixcontact.com/us/products/1204122>



DIN rail, unperforated, Pack of 10 (20 m), acc. to EN 60715, material: Steel, Galvanized, white passivated, Standard profile, color: silver

UTME 6-SET POWER 1 - Starter kit

3036001

<https://www.phoenixcontact.com/us/products/3036001>



NS 35/ 7,5 AL UNPERF 2000MM - DIN rail, unperforated

0801704

<https://www.phoenixcontact.com/us/products/0801704>



DIN rail, unperforated, Pack of 25 (50 m), acc. to EN 60715, material: Aluminum, uncoated, Standard profile, color: silver

NS 35/ 7,5 ZN PERF 2000MM - DIN rail perforated

1206421

<https://www.phoenixcontact.com/us/products/1206421>



DIN rail perforated, Pack of 25 (50 m), acc. to EN 60715, material: Steel, galvanized, Standard profile, color: silver

UTME 6-SET POWER 1 - Starter kit

3036001

<https://www.phoenixcontact.com/us/products/3036001>



NS 35/ 7,5 ZN UNPERF 2000MM - DIN rail, unperforated

1206434

<https://www.phoenixcontact.com/us/products/1206434>



DIN rail, unperforated, Pack of 25 (50 m), acc. to EN 60715, material: Steel, galvanized, Standard profile, color: silver

NS 35/ 7,5 CU UNPERF 2000MM-VPE 10 - DIN rail, unperforated

0801762

<https://www.phoenixcontact.com/us/products/0801762>



DIN rail, unperforated, Pack of 10 (20 m), acc. to EN 60715, material: Copper, uncoated, Standard profile, color: copper-colored

UTME 6-SET POWER 1 - Starter kit



3036001

<https://www.phoenixcontact.com/us/products/3036001>

NS 35/ 7,5 CAP - End cap

1206560

<https://www.phoenixcontact.com/us/products/1206560>

DIN rail end piece, for DIN rail NS 35/7.5



E/AL-NS 35 - End bracket

1201662

<https://www.phoenixcontact.com/us/products/1201662>

End clamp, for end support of UKH 50 to UKH 240, is pushed onto DIN rail NS 35 and fixed with 2 screws, width: 10 mm, color: aluminum



Phoenix Contact 2024 © - all rights reserved
<https://www.phoenixcontact.com>

Phoenix Contact USA
586 Fulling Mill Road
Middletown, PA 17057, United States
(+717) 944-1300
info@phoenixcon.com