



ANATECH ELECTRONICS INC
RF & Microwave Filters & Products

125 MHz LC HighPass Filter

Part Number: AE125H9912



Electrical Specifications

Cutoff Frequency: 125 MHz
Passband Frequency: 125 MHz to 512 MHz
Insertion Loss: < 1dB @ 125 MHz to 512 MHz
Return Loss: >15 dB @ 125 MHz to 512 MHz
Rejection: ≥ 70 dB @ 1 MHz to 75 MHz
Rejection: ≥ 46 dB @ 90 MHz
Power Handling: 65 W CW

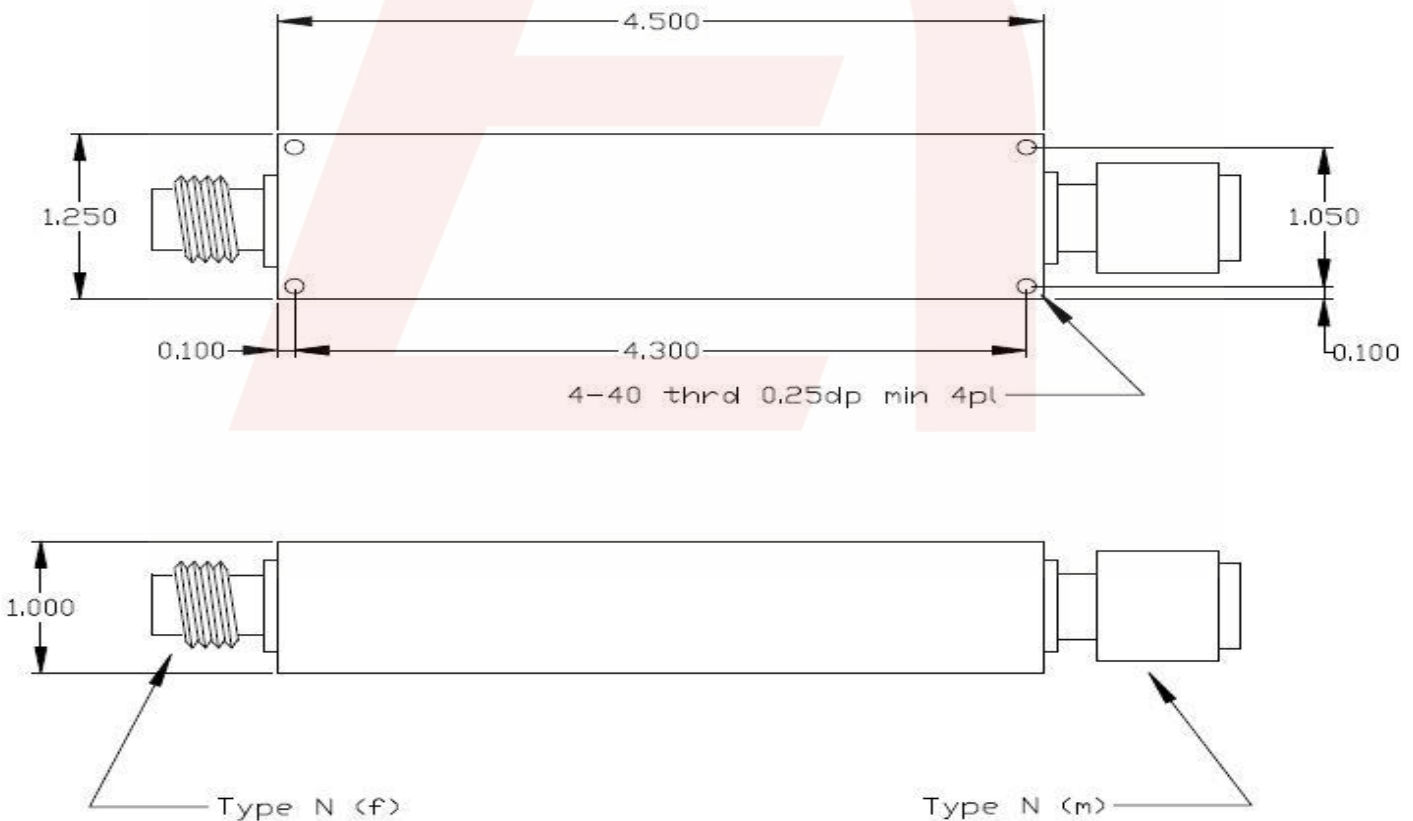
Mechanical

Mounting Method: Threaded Mounting Holes
Connector Type: N-type(Male) & N-Type(Female)
Dimensions: 4.5" X 1.25" x 1.0" in.

Environmental

Operating Temperature: -25°C to +70°C
Storage Temperature: -40°C to +90°C
Shock: 10G. 11ms.
Vibration: 10 G. 5 to 2000Hz

Outline Drawing:





ANATECH ELECTRONICS INC
RF & Microwave Filters & Products

125 MHz LC HighPass Filter

Part Number: AE125H9912



Response Plot:

