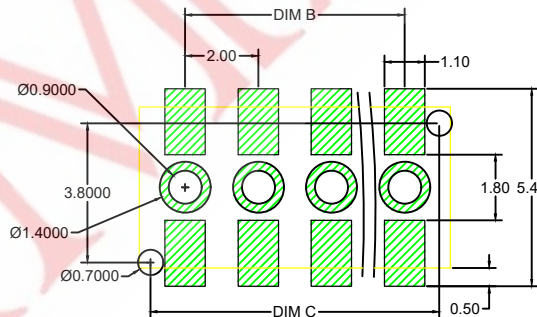
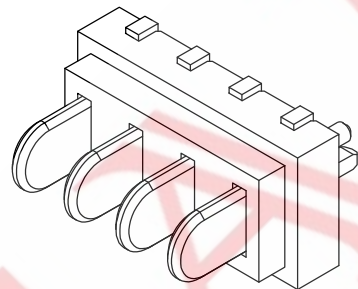
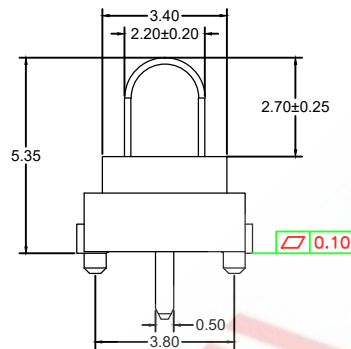
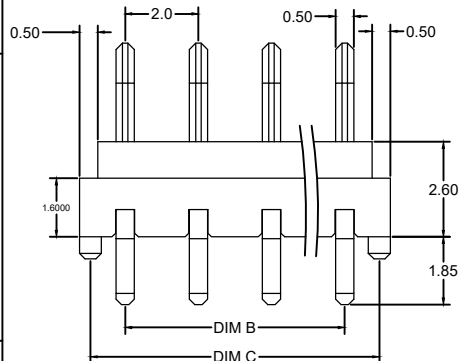
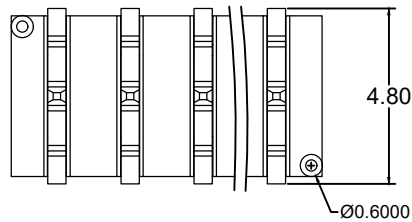
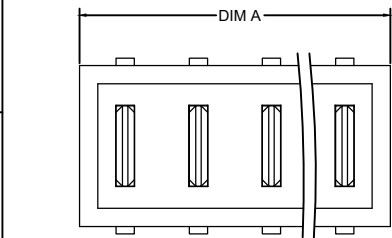


SAMZO REAC/ROHS

REV	ECN NO	DESCRIPTION	DESIGN	APPROVAL	DATE
A1	NEW	Replace frame			2018.06.14



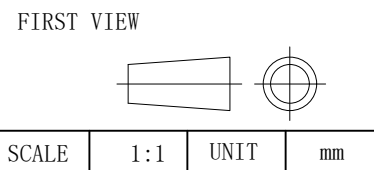
Specification
 Rated Voltage(Max.):30V AC/DC
 Dielectric Strength:1KV AC For 1 Minute
 Between Adjacent Terminal,No Breakdown
 Insulation Resistance:1000 Megohms Min. 500V
 DC For 1 Minute Between Adjacent Terminal
 Operating Temperature:-20° C-80° C

23 E 3 1 * 0 5 0
 A B C D E F G H

A. Series: 23: 2.0 - 50 series
 B. Spring contact pitch: E - 2.0mm
 C. Fixing method: 1 - Vertical Paste
 D. Product height: 1 - H5. 35mm
 E. PIN NO: 2-2P/3-3P/5-5P/7-7P/9-9P/0-10PIN
 F: Main body material: 0 - LCP
 G: Spring contact material: 5 - COPPER ALLOY
 H: Mold code: 0 - convention

23E31-0-050	20.50	18.00	19.90
23E31-9-050	18.50	16.00	17.90
23E31-8-050	16.50	14.00	15.90
23E31-7-050	14.50	12.00	13.90
23E31-6-050	12.50	10.00	11.90
23E31-5-050	10.50	8.00	9.90
23E31-4-050	8.50	6.00	7.90
23E31-3-050	6.50	4.00	5.90
23E31-2-050	4.50	2.00	3.90
Be filled	DIMA	DIMB	DIMC

ITEM	DESCRIPTION	MATERIAL	QTY	FINSH/COLOR	DESIGN	DATE	GENERAL TOLERANCE
							≥0~2< ±0.15
							≥2~5< ±0.25
B	塑胶	LCP	1	黑色	CHECKED	ZHENGUILAN 2018.06.12	≥0~2< ±0.15
A	触点	铜合金	1	镀金	APPROVED	LILIANJIANG 2018.06.14	≥5 ±0.35



The copyright belongs to samzo parts [China] Co., Ltd. please use the material after samzo parts agree to authorize. The final right of interpretation belongs to samzo parts.
 WWW.KKK-JP.COM

TITLE: 立贴刀片电池公座H5. 35MM
 DWG NO: 23E31-P001
 PART NO: 23E3150D003
 MODEL NO: 23E31-* -050
 NAME: DC CONN

SAMZO COMPONENTS
 Electronic switch and connector manufacturer