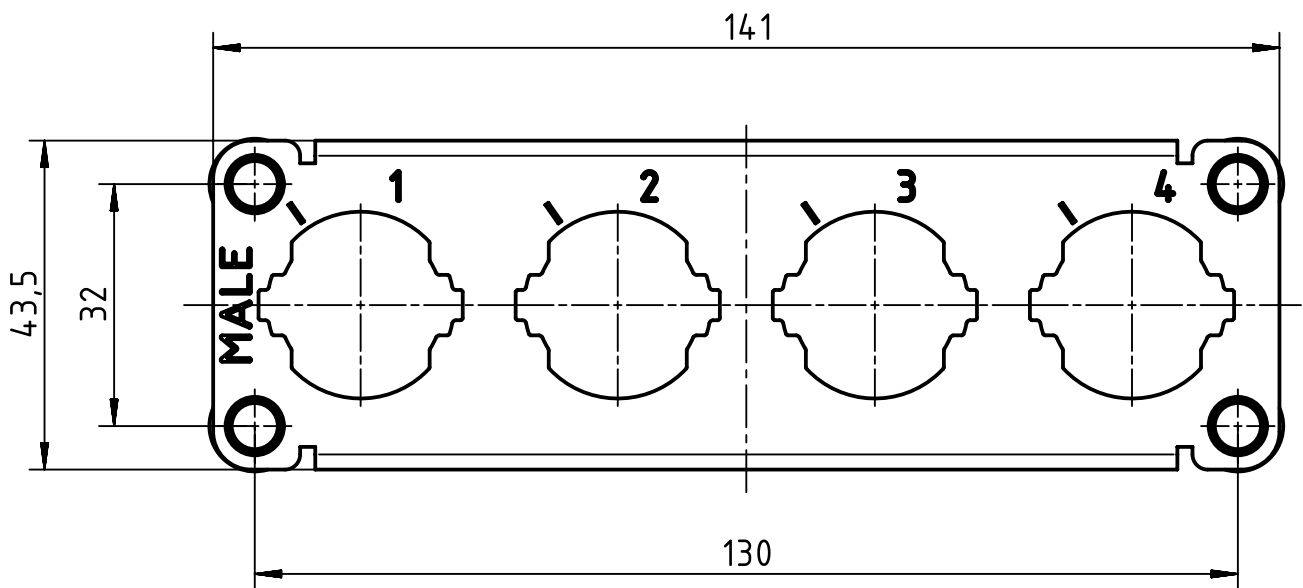
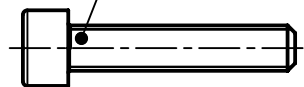


1 2 3 4 5 6

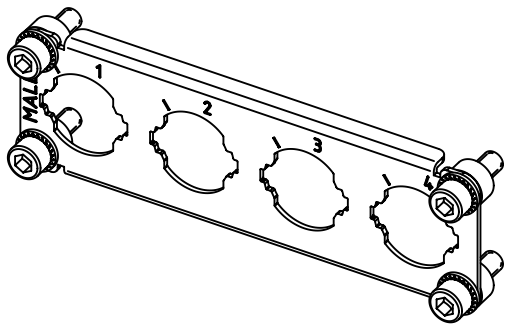
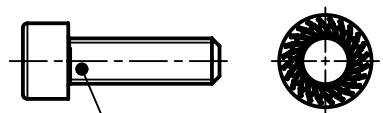
A
B
C
D

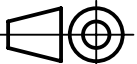



screw M6x30 for housings



screw M6x20 for hoods



	All Dimensions in mm Original Size DIN A4		Scale 1:1	Free size tol.		Ref.		
						Sub.		
	All rights reserved Department EL PD - DE		Created by KHOSROGORJI	Inspected by SCHNIEDER	Standardisation TIEMANNA	Date 2017-09-08	State Final Release	
	HARTING Electric GmbH & Co. KG D-32339 Espelkamp		Title Frame 4xHC250-M enlarged				Doc-Key / ECM-Nr. 100587135/UGD/001/B 500000124850	
			Type TB	Number 09 11 000 9927			Rev. B	Page 1/1

Mouser Electronics

Authorized Distributor

Click to View Pricing, Inventory, Delivery & Lifecycle Information:

[HARTING:](#)

[09110009927](#)