

# 3031, 3051 SERIES

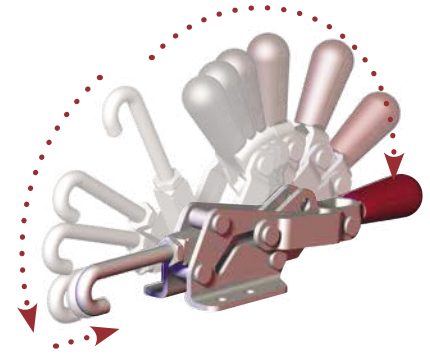
## Pull Action Latch Clamps | Product Overview

### Features:

- Safe, single handed operation
- Innovative controlled motion
- Secure toggle locking action
- Simple set-up and adjustment
- Clamp hook/arm moves and stays safely out of the way
- Stainless steel version available as **-SS** models
- 5 handle colors - see page MC-PRO-7 for details

### Applications:

- Molding
- Closures for doors, lids, covers
- Assembly
- Checking fixtures



3031 ⓘ  
3031-SS



3031-R ⓘ  
3031-RSS ⓘ  
with DESTACO®  
Toggle Lock  
Plus™



### Color Handles

Available on models in this series that use standard red handles.\* Add **-Y, -G, -B, -K** to end of model number.

\*Excludes Toggle Lock Plus levers or dipped handles.



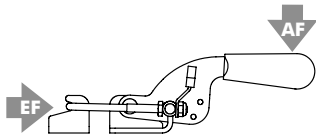
3051  
3051-SS



3051-R  
3051-RSS  
with DESTACO®  
Toggle Lock  
Plus™



## Technical Information | Holding Capacities | Dimensions



Model	Max. Holding Capacity	Weight	EF:AF	Drawing Movement	Replacement Hook Assembly	Hook Adj. Range
3031 ⓘ					3031208	[0.39] 10
3031-R ⓘ	[200 lbf] 900 N	[0.65 lbs] 0,30 kg	12:1	[0.50] 12,7	3031808	
3031-SS						
3031-RSS ⓘ						
3051					3051208	[0.55] 14
3051-R	[1500 lbf] 6700 N	[1.0 lbs] 0,50 kg		[0.75] 19,1	3051808	
3051-SS						
3051-RSS						

ⓘ Coming Soon

# 3031, 3051 SERIES

## Pull Action Latch Clamps | Product Overview

3031 ⓘ  
3031-SS



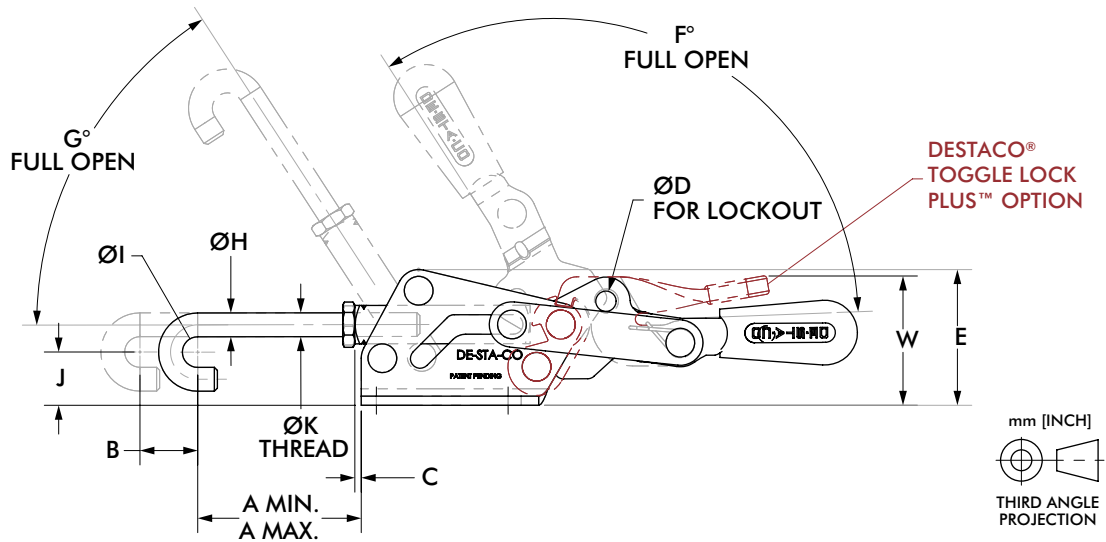
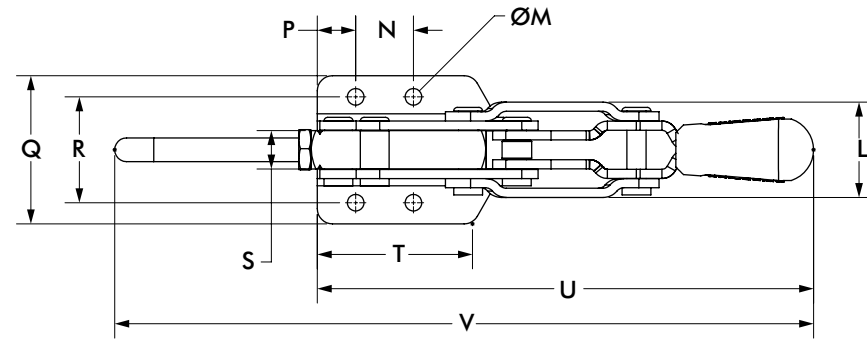
3031-R ⓘ  
3031-RSS ⓘ



3051  
3031-SS



3051-R  
3051-RSS



mm [INCH]  
THIRD ANGLE PROJECTION

Model	A min.	A max	B	C	D	E	F	G	H	I	J	K
3031 ⓘ												
3031-SS	[1.62]	[2.02]	[0.50]	[0.16]	[0.19]	[1.35]	123°	50°	[0.17]	[0.32]	[0.48]	M5x0.8
3031-R ⓘ	41,25	51,25	12,5	4,1	Ø4,7	34,3			Ø4,4	Ø8,1	12,1	
3031-RSS ⓘ												
3051												
3051-SS	[1.99]	[2.50]	[0.75]	[0.08]	[0.27]	[1.77]	123°	57°	[0.31]	[0.39]	[0.69]	M8x1.25
3051-R	50,6	63,6	19,1	2,1	Ø6,7	44,9			Ø8,0	Ø10	17,6	
3051-RSS												

Model	L	M	N	P	Q	R	S	T	U	V	W
3031 ⓘ											-
3031-SS	[1.12]	[0.22]	[0.75]	[0.38]	[1.69]	[1.22]	[0.38]	[1.65]	[5.71]	[8.06]	
3031-R ⓘ	28,4	Ø5,5	19,1	9,5	43	31,1	9,5	42	145,1	204,8	[1,77]
3031-RSS ⓘ											44,8
3051											-
3051-SS	[1.24]	[0.22]	[0.75]	[0.50]	[1.93]	[1.38]	[0.50]	[2.03]	[6.47]	[8.98]	
3051-R	31,4	Ø5,5	19,1	12,7	49	35	12,7	51,5	164,4	228	[1.68]
3051-RSS											42,7

ⓘ Coming Soon