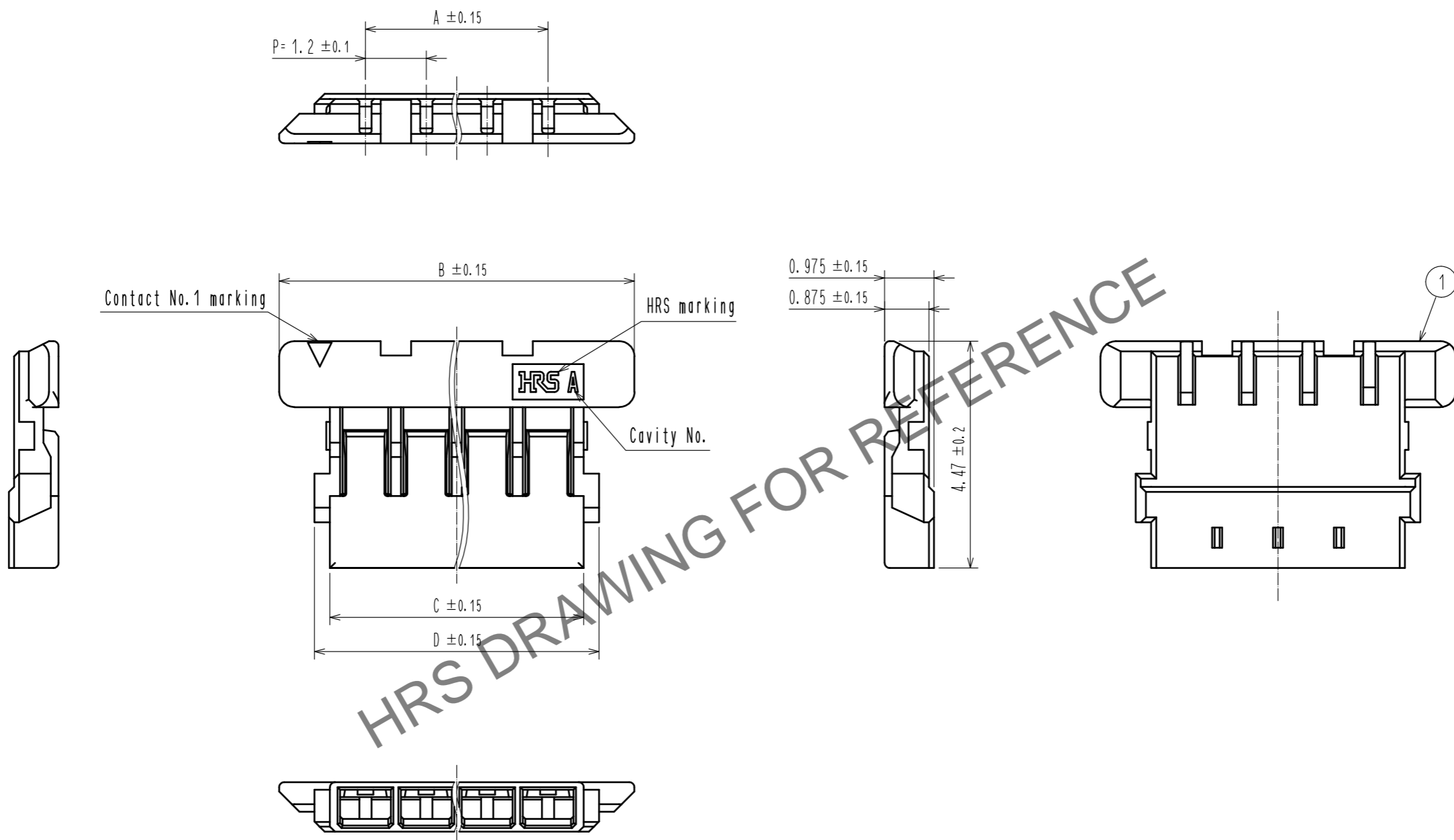


Jul.1.2024 Copyright 2024 HIROSE ELECTRIC CO., LTD. All Rights Reserved.
 In case of consideration for using Automotive equipment / device which demand high reliability, kindly contact our sales window correspondents.



HRS DRAWING FOR REFERENCE

CODE No.	PART No.	NUMBER OF CONTACTS	A	B	C	D
CL666-1006-0-00	DF58-2S-1.2C	2	1.2	4.6	2.6	3.21
CL666-1007-0-00	DF58-3S-1.2C	3	2.4	5.8	3.8	4.41
CL666-1008-0-00	DF58-4S-1.2C	4	3.6	7.0	5.0	5.61
CL666-1010-0-00	DF58-6S-1.2C	6	6.0	9.4	7.4	8.01

NO.	MATERIAL	FINISH . REMARKS	NO.	MATERIAL	FINISH . REMARKS
			1	LCP	UL94V-0, Natural(Beige)

UNITS	SCALE	COUNT	DESCRIPTION OF REVISIONS	DESIGNED	CHECKED	DATE
mm	20:1	△				
HIROSE ELECTRIC CO., LTD.			APPROVED : HS. OKAWA	16.06.22	DRAWING NO. EDC-371176-00-00	
			CHECKED : YN. TAKASHITA	16.06.21	PART NO. DF58-*S-1.2C	
			DESIGNED : TH. YOSHIZAWA	16.06.21	CODE NO. CL666-	
			DRAWN : TH. YOSHIZAWA	16.06.21	1/1	