

RAFIX 22 QR - Toggle switch, square collar

1.30.247.551/0207



General information

Actuator	toggle
Color of toggle	opaque white
Color of front ring	plastic slate-grey

Dimensions

Dimensions of collar	29.8 x 29.8 mm
Overall height	22.2 mm
Mounting depth	56.4 mm
Mounting hole	ø 22.3 mm
Mounting grid	50 x 30 mm

Mechanical design

Mounting	ring nut
Contact function	latching
Immuniability	no

Mechanical characteristics

Robustness max.	100 N
-----------------	-------

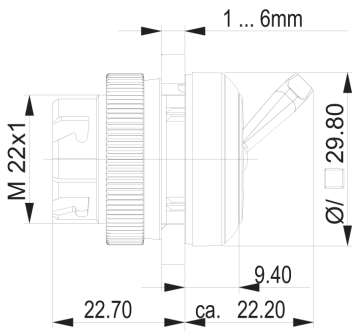
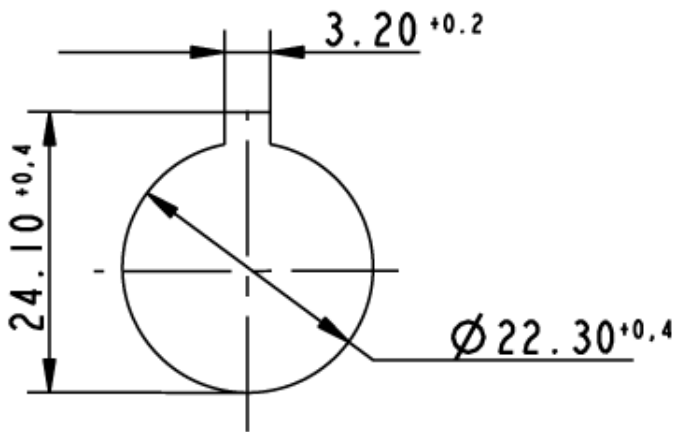
Electrical characteristics

Protection class	-
------------------	---

Other specifications

Operating life (operations)	100,000 cycle
Degree of protection	IP54 (DIN EN 60529)
Storage temperature min.	-40 °C
Storage temperature max.	+80 °C
Environmental resistance	acc. to IEC 60068-2-14, -30, -33 and -78
ROHS compliant	yes
REACH compliant	yes

Panel cut-out to IEC 60947-5-1



Mouser Electronics

Authorized Distributor

Click to View Pricing, Inventory, Delivery & Lifecycle Information:

[RAFI:](#)

[1.30.247.551/0207](#)