

# RC-Z2068 - Metal protective cap

1604236

<https://www.phoenixcontact.com/us/products/1604236>

Please be informed that the data shown in this PDF document is generated from our online catalog. Please find the complete data in the user documentation. Our general terms of use for downloads are valid.

Metal protective cap, M23, series: RC, UC, RF, SF, NC, RM, Alternative product in accordance with RoHS II without Exemption 6c (Pb < 0.1 %) item no.: 1241735



## Commercial data

Item number	1604236
Packing unit	10 pc
Minimum order quantity	1 pc
Sales key	AB36
Product key	ABRGAB
Catalog page	Page 182 (C-2-2019)
GTIN	4046356248211
Weight per piece (including packing)	14.8 g
Weight per piece (excluding packing)	14 g
Customs tariff number	74198090
Country of origin	DE

# RC-Z2068 - Metal protective cap



1604236

<https://www.phoenixcontact.com/us/products/1604236>

## Technical data

### Product properties

Product type	Protective cap
Series	RC
	UC
	RF
	SF
	NC
	RM

### Data management status

Article revision	02
------------------	----

### Material specifications

Housing material	Metal
------------------	-------

### Environmental and real-life conditions

#### Ambient conditions

Degree of protection	IP67
----------------------	------

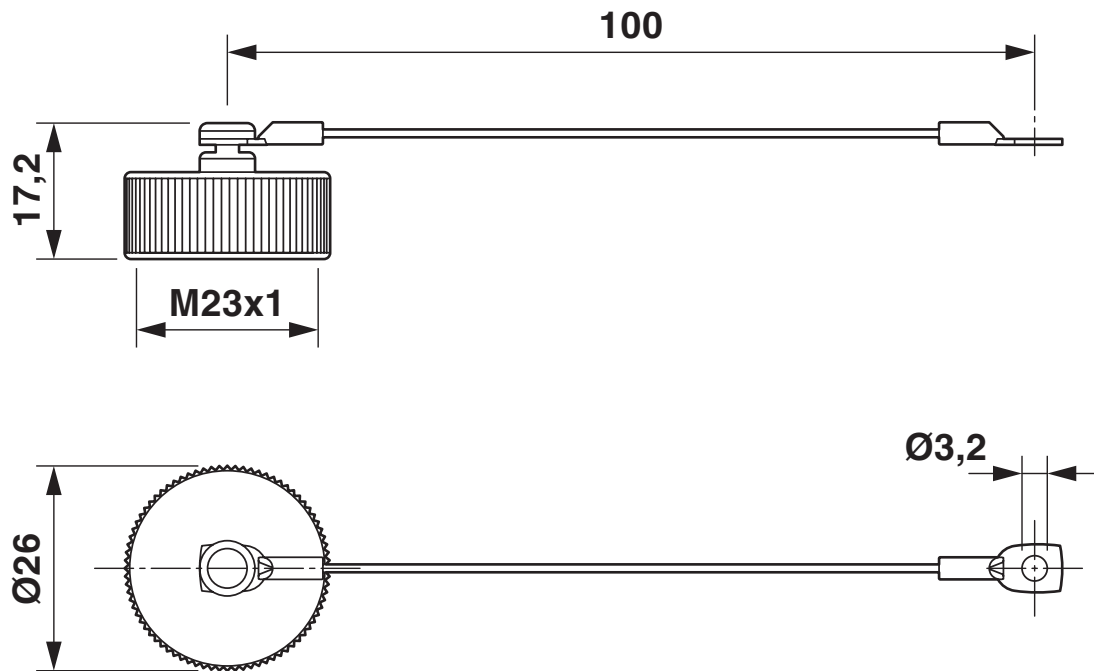
# RC-Z2068 - Metal protective cap

1604236

<https://www.phoenixcontact.com/us/products/1604236>

## Drawings

Dimensional drawing



Dimensional drawing

# RC-Z2068 - Metal protective cap



1604236

<https://www.phoenixcontact.com/us/products/1604236>

## Classifications

### ECLASS

ECLASS-11.0	27440208
ECLASS-12.0	27440208
ECLASS-13.0	27440208

### ETIM

ETIM 9.0	EC002314
----------	----------

### UNSPSC

UNSPSC 21.0	39121400
-------------	----------

# RC-Z2068 - Metal protective cap



1604236

<https://www.phoenixcontact.com/us/products/1604236>

## Environmental product compliance

### EU RoHS

Fulfills EU RoHS substance requirements	Yes
Exemption	6(c)

### China RoHS

Environment friendly use period (EFUP)	EFUP-50
	An article-related China RoHS declaration table can be found in the download area for the respective article under "Manufacturer declaration". For all articles with EFUP-E, no China RoHS declaration table issued and required.

### EU REACH SVHC

REACH candidate substance (CAS No.)	Lead(CAS: 7439-92-1)
SCIP	5674510c-a30a-4687-b4ad-3f59f9306191

Phoenix Contact 2024 © - all rights reserved

<https://www.phoenixcontact.com>

Phoenix Contact USA  
586 Fulling Mill Road  
Middletown, PA 17057, United States  
(+717) 944-1300  
[info@phoenixcon.com](mailto:info@phoenixcon.com)