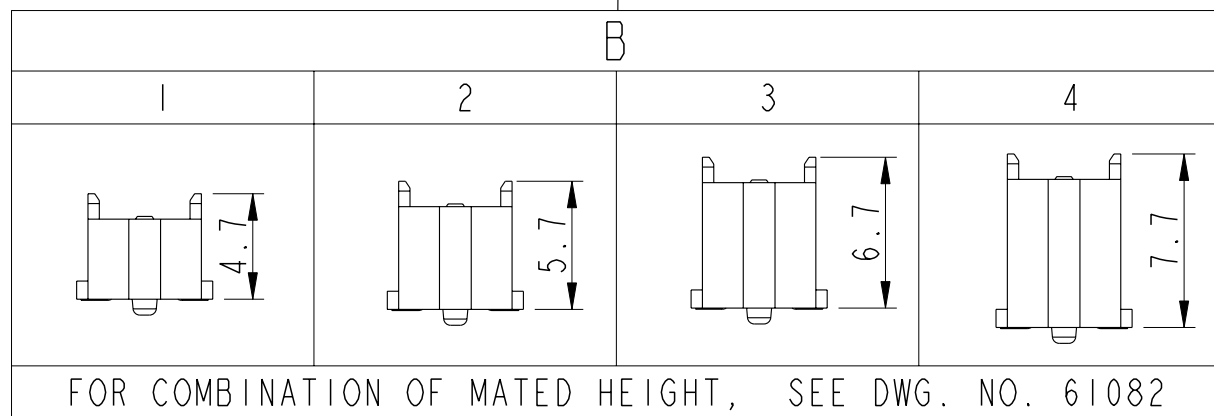


61083- AA B C D E FF

| AA | NO. OF POSITIONS |
|----|------------------|
| 04 | 2X20 |
| 06 | 2X30 |
| 08 | 2X40 |
| 10 | 2X50 |
| 12 | 2X60 |
| 14 | 2X70 |
| 16 | 2X80 |
| 18 | 2X90 |
| 20 | 2X100 |



| E | PACKAGING |
|---|--|
| 0 | TUBE WITHOUT METAL CAP |
| 2 | T&R WITH METAL CAP |
| 9 | TUBE WITH METAL CAP |
| 6 | T&R WITHOUT METAL CAP (WITH KAPTON TAPE) |

| D | POLARIZATION PEG | HOLD DOWN |
|---|------------------|-----------|
| 0 | YES | NO |
| 2 | NO | NO |

| C | PLATING | FF |
|---|---|--------------------|
| 0 | GOLD 0.2um MIN. / TIN LEAD SOLDER TAIL NICKEL UNDERPLATE OVERALL 1.27um MIN | NONE |
| 1 | GOLD FLASH (0.1um MIN) OVER PALLADIUM-NICKEL 0.76um MIN /TIN LEAD SOLDER NICKEL UNDERPLATE OVERALL 1.27um. | NONE |
| 4 | GOLD 0.2um MIN / PURE MATT TIN SOLDER TAIL NICKEL UNDERPLATE OVERALL 1.27um. (LEADFREE PLATING) | LF (NOTE 6 & 8) |
| 5 | GOLD 0.38um MIN /PURE MATT TIN SOLDER TAIL NICKEL UNDERPLATE OVERALL 1.27UM MIN (LEADFREE PLATING) | LF (NOTE 6) |
| 6 | GOLD FLASH (0.1um MIN) OVER PALLADIUM-NICKEL 0.76um MIN / PURE MATT TIN SOLDER TAIL NICKEL UNDERPLATE OVERALL 1.27um. (LEADFREE PLATING) | LF (NOTE 6 & 8) |

NOTE:

- MATERIAL:
HOUSING: G.F. LCP, UL94-V0
TERMINAL: BRASS
- PLATING:
AS SHOWN IN TABLE.
- SEE GS-12-547 FOR PRODUCT SPEC.
- SEE GS-14-551 AND GS-14-816 FOR PACKAGING SPEC.
- PACKAGING OPTION 2: NOT ALL SIZES ARE AVAILABLE. CHECK WITH FACTORY.
- THIS PRODUCT MEETS THE EUROPEAN UNION DIRECTIVES AND OTHER COUNTRY REGULATIONS AS DESCRIBED IN GS-22-008.
- THE HOUSING WILL WITHSTAND EXPOSURE UP TO 260° PEAK TEMPERATURE FOR 30 SECONDS IN A CONVECTION, INFRA-RED OR VAPOR PHASE REFLOW OVEN.
- PLATING OPTION "4" IS LEADFREE ALTERNATIVE FOR OPTION "0", AND OPTION "6" IS LEADFREE ALTERNATIVE FOR OPTION "1".
- HIGH PRECISION COPLANARITY IS AVAILABLE FOR 2X80 TO 2X100 POS, ALL HEIGHTS. PLS REFER TO PRINT 10069525.
- A SYMBOL WILL BE NEXT TO ANY DIMENSION, VIEW OR NOTE WHICH HAS BEEN MODIFIED WITH THE CURRENT DRAWING REVISION.

| | | | | | | | | | |
|---------------------|---------|------------|------------|-------------|----------------|----------|----------|-----------|---------|
| spec ref | dr | MAGGIE WU | 1999-03-24 | projection | mm | size | A3 | scale | 3:1 |
| tolerance std | eng | YU WEN CHU | 1999-03-24 | | ← → | ecn no | S10-0210 | rel level | RELEASE |
| ISO 406 ISO 1101 | chr | M CHEONG | 2010-09-29 | | | | | | |
| surface | linear | 0.X | ±0.2 | | product family | BERGSTAK | - | dwg no | 61083 |
| | | 0.XX | ±0.15 | | | | | | |
| ISO 1302 | angular | 0° | ±2° | www.fci.com | cat. no. | - | CUSTOMER | rev | AC |



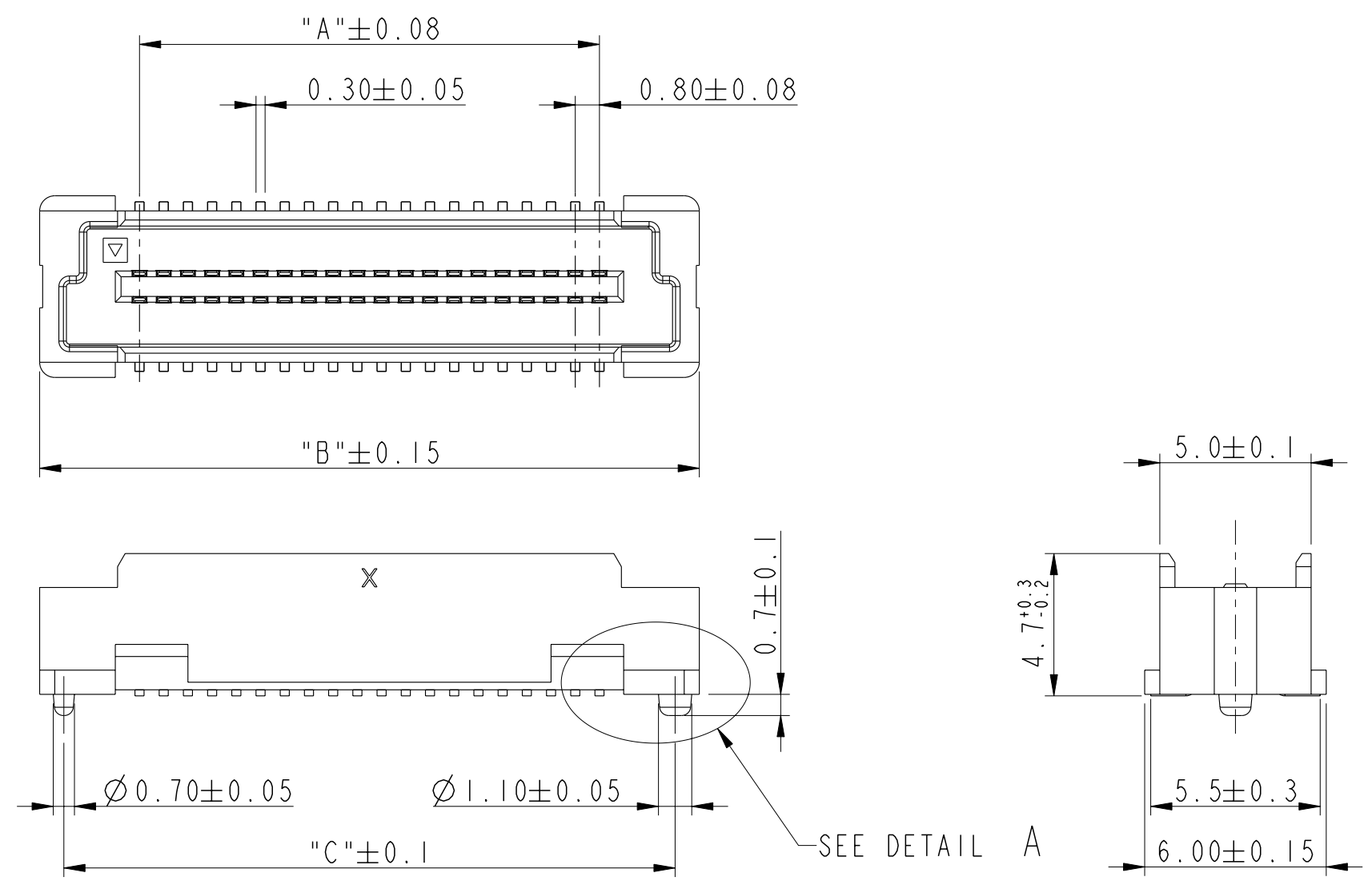
Copyright FCI.

| PRODUCT NO. | NO. OF POSITION | DIMENSION | | |
|--------------|-----------------|-----------|------|------|
| | | A | B | C |
| 61083-041*** | 2X20 | 15.2 | 21.8 | 20.2 |
| 61083-061*** | 2X30 | 23.2 | 29.8 | 28.2 |
| 61083-081*** | 2X40 | 31.2 | 37.8 | 36.2 |
| 61083-101*** | 2X50 | 39.2 | 45.8 | 44.2 |
| 61083-121*** | 2X60 | 47.2 | 53.8 | 52.2 |
| 61083-141*** | 2X70 | 55.2 | 61.8 | 60.2 |
| 61083-161*** | 2X80 | 63.2 | 69.8 | 68.2 |
| 61083-181*** | 2X90 | 71.2 | 77.8 | 76.2 |
| 61083-201*** | 2X100 | 79.2 | 85.8 | 84.2 |

COPLANARITY OF TAIL:
0.1 MAX. APPLIED TO 2X20 TO 2X100 POS

DETAIL A
SCALE 10:1

AC



Copyright FCI.

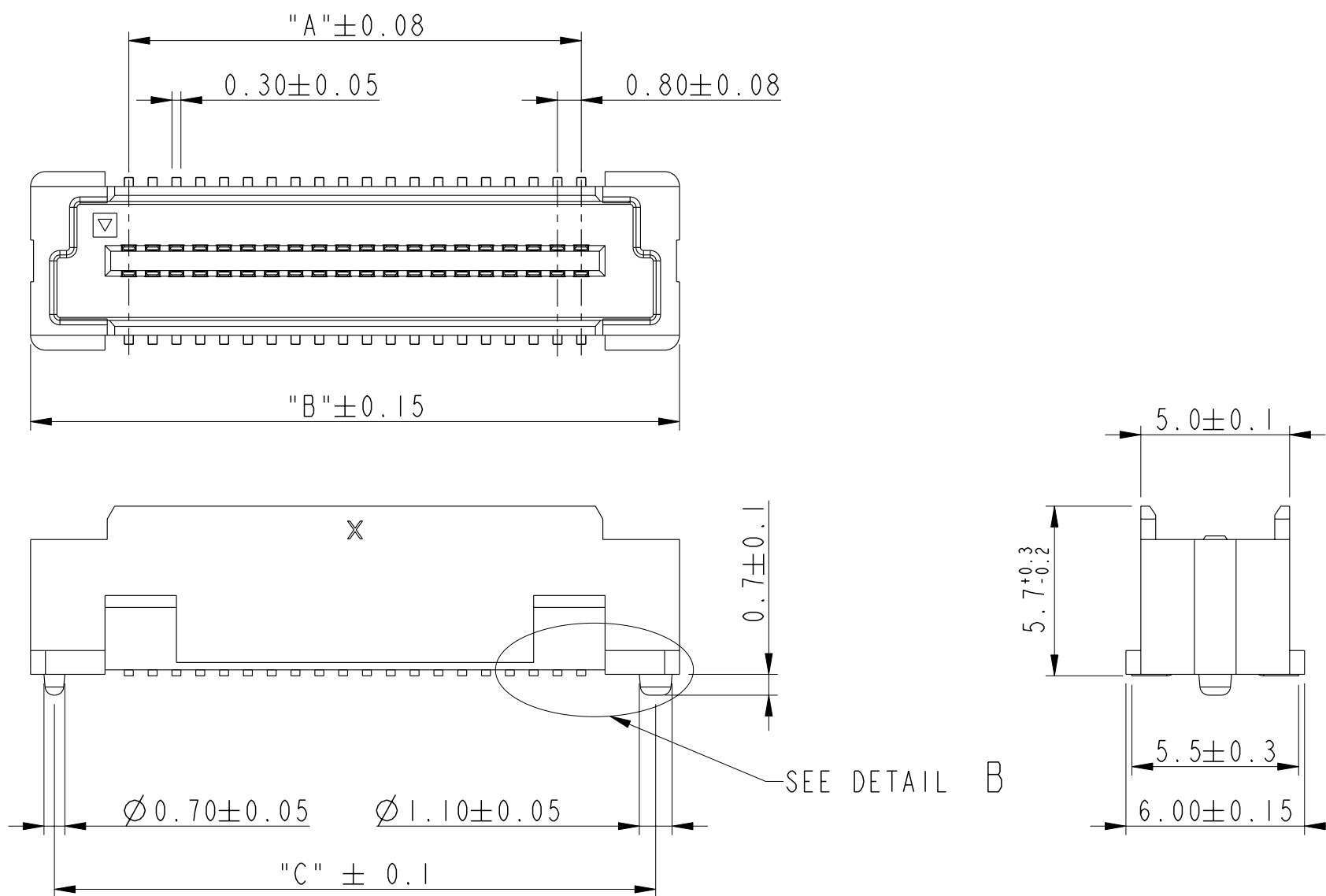
| | | | | | | | | | | |
|--|--|-------------|------------|--------------------|----------------|----------|----------|--------------|-----------|---------|
| spec ref | dr | MAGGIE WU | 1999-03-24 | projection | mm | size | A3 | scale | 3:1 | |
| tolerance std | eng | YU WEN CHU | 1999-03-24 | | | ecn no | SI0-0210 | rel level | RELEASE | |
| ISO 406 ISO 1101 | chr | M CHEONG | 2010-09-29 | | | | | | | |
| surface <input checked="" type="checkbox"/> linear ISO 1302 | TOLERANCES UNLESS OTHERWISE SPECIFIED 0.X ±0.2 0.XX ±0.15 0.XXX ±0.10 angular 0° ±2° | appr | JOEY NG | 2010-09-29 | product family | BERGSTAK | - | | rel level | RELEASE |
| | | | title | BERGSTAK 0.8mm BTB | | dwg no | 61083 | | rev | AC |
| | | www.fci.com | cat. no. | - | | CUSTOMER | | sheet 2 of 6 | | |

| PRODUCT NO. | NO. OF POSITION | DIMENSION | | |
|--------------|-----------------|-----------|------|------|
| | | A | B | C |
| 61083-042*** | 2X20 | 15.2 | 21.8 | 20.2 |
| 61083-062*** | 2X30 | 23.2 | 29.8 | 28.2 |
| 61083-082*** | 2X40 | 31.2 | 37.8 | 36.2 |
| 61083-102*** | 2X50 | 39.2 | 45.8 | 44.2 |
| 61083-122*** | 2X60 | 47.2 | 53.8 | 52.2 |
| 61083-142*** | 2X70 | 55.2 | 61.8 | 60.2 |
| 61083-162*** | 2X80 | 63.2 | 69.8 | 68.2 |
| 61083-182*** | 2X90 | 71.2 | 77.8 | 76.2 |
| 61083-202*** | 2X100 | 79.2 | 85.8 | 84.2 |

COPLANARITY OF TAIL
0.1 MAX. APPLIED TO 2X20 TO 2X100 POS

DETAIL B
SCALE 10:1

AC



PLUG 2

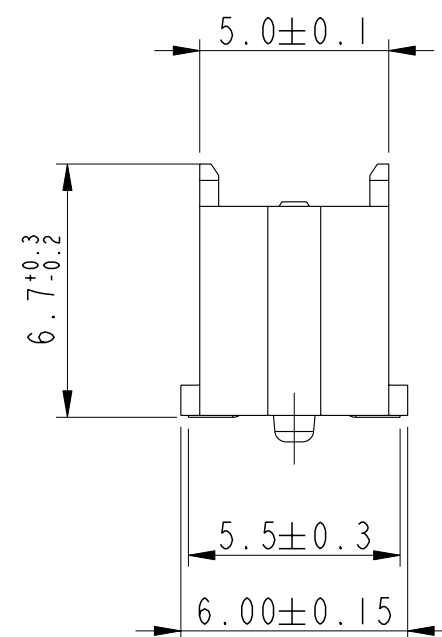
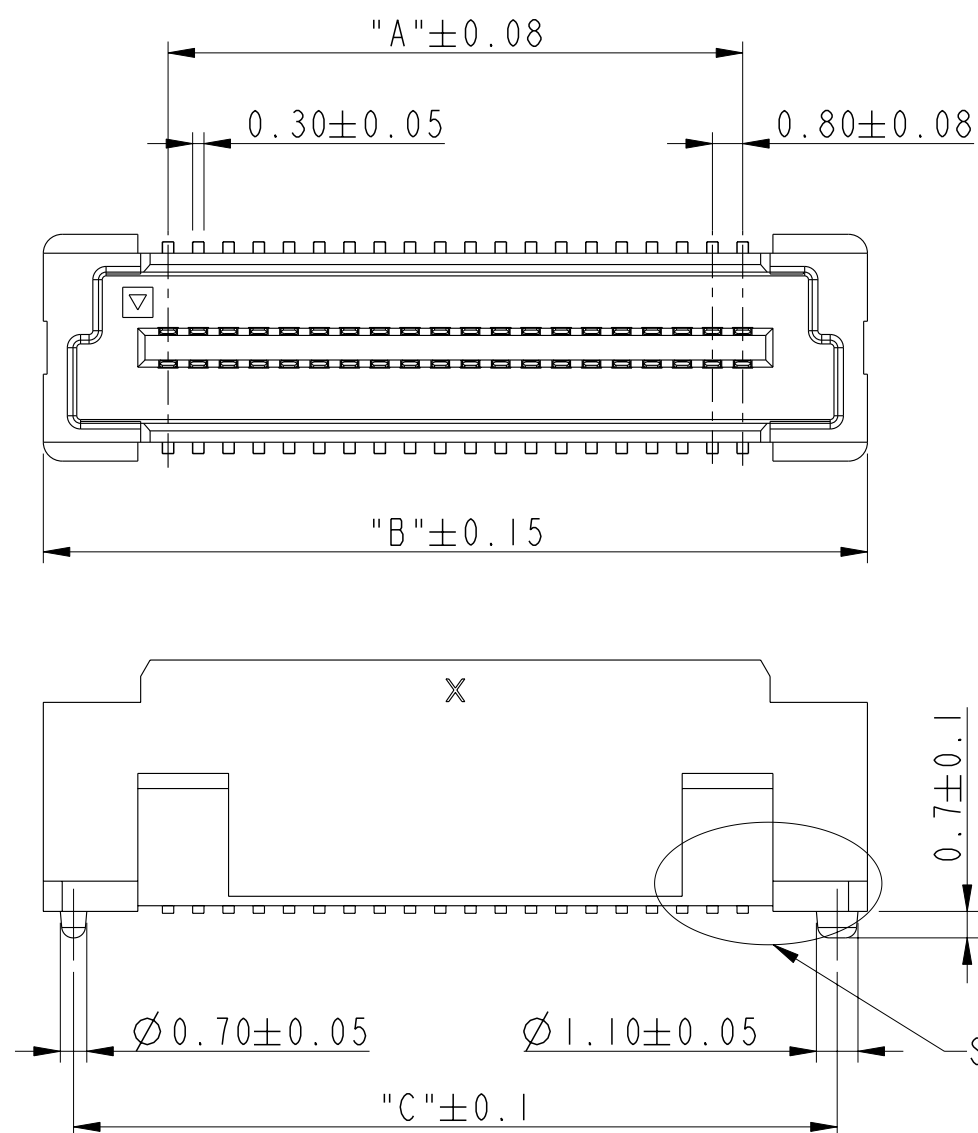
| | | | | | | | | | |
|---------------------|---------|------------|------------|------------|--|-----------------|-----------|-------------|----------|
| spec ref | dr | MAGGIE WU | 1999-03-24 | projection | mm | size | A3 | scale | 3:1 |
| tolerance std | eng | YU WEN CHU | 1999-03-24 | | | ecn no | S10-0210 | rel level | RELEASE |
| ISO 406 ISO 1101 | chr | M CHEONG | 2010-09-29 | | | | | | |
| surface | linear | 0.X | ±0.2 | | title BERGSTAK 0.8mm BTB PLUG ASSY | dwg no 61083 | rev AC | CUSTOMER | |
| | | 0.XX | ±0.15 | | | | | www.fci.com | cat. no. |
| ISO 1302 | angular | 0° | ±2° | | | | | | |

Copyright FCI.
FCJ

| PRODUCT NO. | NO. OF POSITION | DIMENSION | | |
|--------------|-----------------|-----------|------|------|
| | | A | B | C |
| 61083-043*** | 2X20 | 15.2 | 21.8 | 20.2 |
| 61083-063*** | 2X30 | 23.2 | 29.8 | 28.2 |
| 61083-083*** | 2X40 | 31.2 | 37.8 | 36.2 |
| 61083-103*** | 2X50 | 39.2 | 45.8 | 44.2 |
| 61083-123*** | 2X60 | 47.2 | 53.8 | 52.2 |
| 61083-143*** | 2X70 | 55.2 | 61.8 | 60.2 |
| 61083-163*** | 2X80 | 63.2 | 69.8 | 68.2 |
| 61083-183*** | 2X90 | 71.2 | 77.8 | 76.2 |
| 61083-203*** | 2X100 | 79.2 | 85.8 | 84.2 |

COPLANARITY OF TAIL:
0.1 MAX. APPLIED TO 2X20 TO 2X100 POS

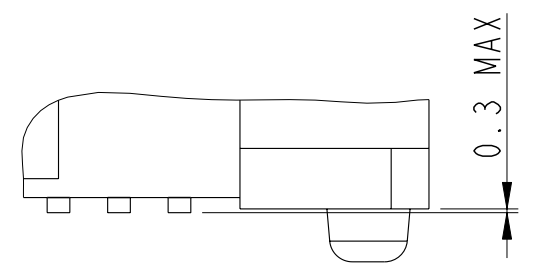
DETAIL C
SCALE 10:1



PLUG 3

| | | | | | | | | | |
|---------------------|---------|------------|------------|-------------|--|-----------------|-----------|-----------|---------|
| spec ref | dr | MAGGIE WU | 1999-03-24 | projection | mm | size | A3 | scale | 3:1 |
| tolerance std | eng | YU WEN CHU | 1999-03-24 | | | ecn no | S10-0210 | rel level | RELEASE |
| ISO 406 ISO 1101 | chr | M CHEONG | 2010-09-29 | | | | | | |
| surface | linear | 0.X | ±0.2 | | title BERGSTAK 0.8mm BTB PLUG ASSY | dwg no 61083 | rev AC | CUSTOMER | |
| | | 0.XX | ±0.15 | | | | | cat. no. | - |
| ISO 1302 | angular | 0° | ±2° | www.fci.com | | | | | |

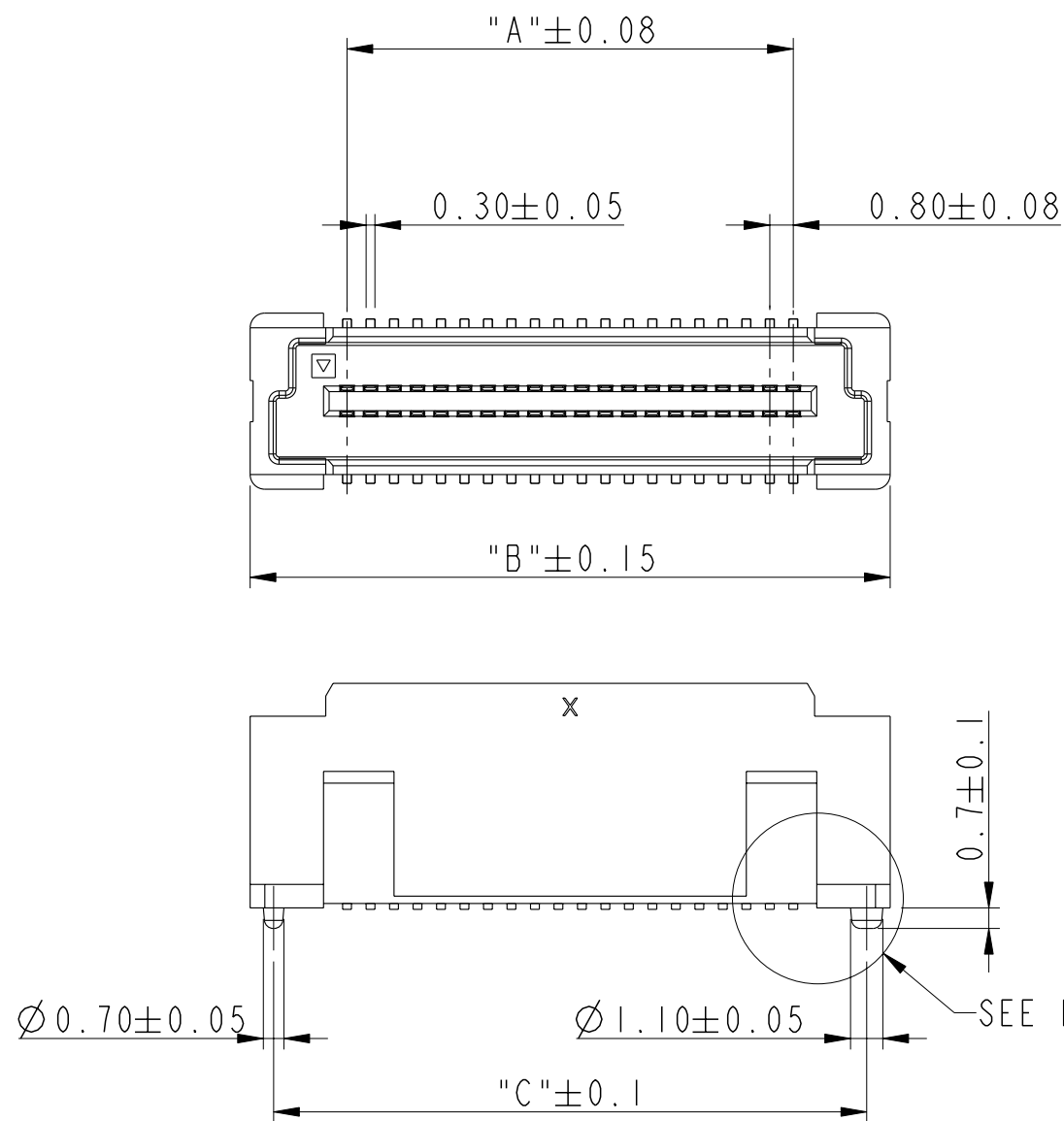
| PRODUCT NO. | NO. OF POSITION | DIMENSION | | |
|--------------|-----------------|-----------|------|------|
| | | A | B | C |
| 61083-042*** | 2X20 | 15.2 | 21.8 | 20.2 |
| 61083-062*** | 2X30 | 23.2 | 29.8 | 28.2 |
| 61083-082*** | 2X40 | 31.2 | 37.8 | 36.2 |
| 61083-102*** | 2X50 | 39.2 | 45.8 | 44.2 |
| 61083-122*** | 2X60 | 47.2 | 53.8 | 52.2 |
| 61083-142*** | 2X70 | 55.2 | 61.8 | 60.2 |
| 61083-162*** | 2X80 | 63.2 | 69.8 | 68.2 |
| 61083-182*** | 2X90 | 71.2 | 77.8 | 76.2 |
| 61083-202*** | 2X100 | 79.2 | 85.8 | 84.2 |



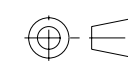
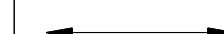

COPLANARITY OF TAIL:
0.1 MAX. APPLIED TO 2X20 TO 2X100 POS

DETAIL D
SCALE 10:1

AC



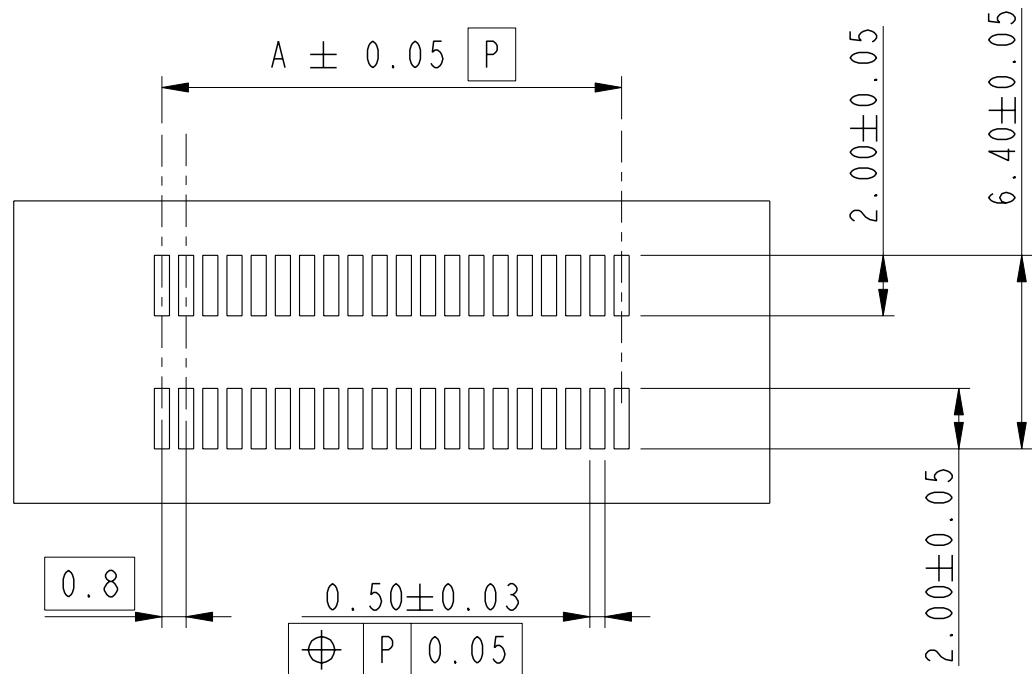
PLUG 4

| | | | | | | | | | |
|---------------------|---------|------------|------------|---|---|-----------------|-----------|-------------|--------------|
| spec ref | dr | MAGGIE WU | 1999-03-24 | projection | mm | size | A3 | scale | 3:1 |
| tolerance std | eng | YU WEN CHU | 1999-03-24 |  |  | ecn no | S10-0210 | rel level | RELEASE |
| ISO 406 ISO 1101 | chr | M CHEONG | 2010-09-29 | | | | | | |
| surface | linear | 0.X | ±0.2 |  | title BERGSTAK 0.8mm BTB PLUG ASSY | dwg no 61083 | rev AC | CUSTOMER | |
| | | 0.XX | ±0.15 | | | | | cat. no. | - |
| ISO 1302 | angular | 0° | ±2° | | | | | www.fci.com | sheet 5 of 6 |

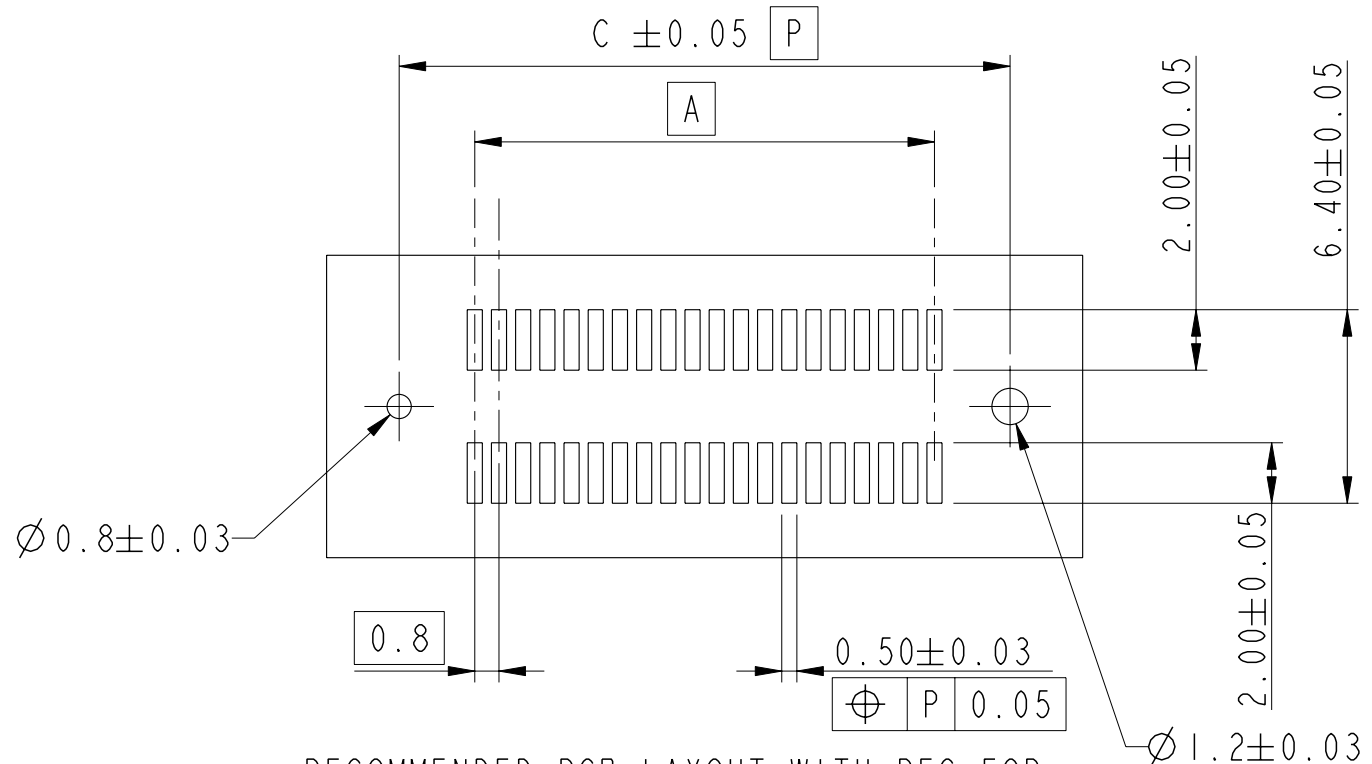


Copyright FCI.

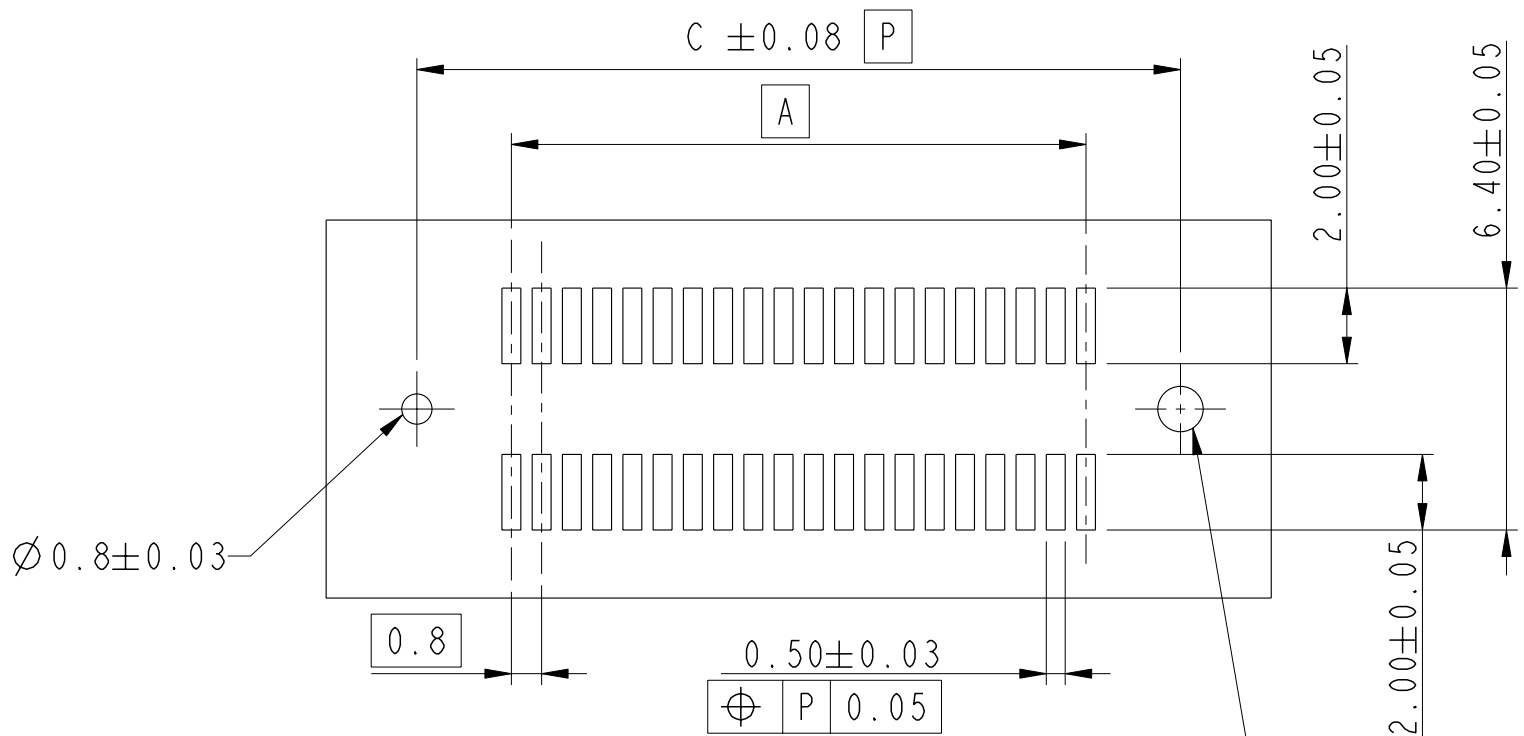
FOR PLUG 1/2/3/4



RECOMMENDED PCB LAYOUT WITHOUT PEG AND HOLDDOWN FOR NO. OF POS 2X20, 2X30, 2X40, 2X50 2X60



RECOMMENDED PCB LAYOUT WITH PEG FOR NO. OF POS 2X20, 2X30, 2X40, 2X50 2X60



RECOMMENDED PCB LAYOUT WITH PEG FOR NO. OF POS 2X70, 2X80, 2X90, 2X100



Copyright FCI.

| | | | | | | | | | | | | |
|---------------------------------------|---------|--------|------------|-------------|----------------|----------|--------------------|--------------|----------|-------|-----|----|
| spec ref | | dr | MAGGIE WU | 1999-03-24 | projection | mm | size | A3 | scale | 3:1 | | |
| tolerance std | | eng | YU WEN CHU | 1999-03-24 | | | ecn no | SI0-0210 | | | | |
| ISO 406 ISO 1101 | | chr | M CHEONG | 2010-09-29 | | | | rel level | RELEASE | | | |
| TOLERANCES UNLESS OTHERWISE SPECIFIED | | appr | JOEY NG | 2010-09-29 | | | product family | | BERGSTAK | | | |
| surface | ✓ | linear | 0.X | ±0.2 | | title | BERGSTAK 0.8mm BTB | | dwg no | 61083 | rev | AC |
| | | | 0.XX | ±0.15 | | | | | | | | |
| | | | 0.XXX | ±0.10 | | | | | | | | |
| ISO 1302 | angular | 0° | ±2° | www.fci.com | cat. no. | CUSTOMER | | sheet 6 of 6 | | | | |